

Impact Cluster Study for Generation Interconnection Requests

Southwest Power Pool
Engineering Department
Generation Interconnection Studies

(ICS-2008-001-3)
ReStudy #3
August 2010



SPP RESTRICTED

Executive Summary

Southwest Power Pool has conducted this Impact Re-Study for certain generation interconnection requests in the SPP Generation Interconnection Queue to account for the withdrawal of higher queued projects and issuance of Notices to Construct (NTCs) by SPP for the “Priority Projects”. The NTCs for the Priority Projects were issued before all cluster study projects had been tendered and executed an Interconnection Agreement.

These interconnection requests have been clustered together for the following Impact Cluster Study. This Impact Cluster Study analyzes the interconnecting of multiple generation interconnection requests associated with new generation totaling 5,851 MW of new generation which would be located within the transmission systems of Mid-Kansas Electric Power LLC (MKEC), Oklahoma Gas and Electric (OKGE), Southwestern Public Service (SPS), Sunflower Electric Power Corporation (SUNC), Westar Energy (WERE) and/or Western Farmers Electric Cooperative (WFEC). The various generation interconnection requests have differing proposed in-service dates¹. The generation interconnection requests included in this Impact Cluster Study are listed in Appendix A by their queue number, amount, area, requested interconnection point, proposed interconnection point, and the requested in-service date.

Power flow analysis has indicated that for the powerflow cases studied, 5,851 MW of nameplate generation may be interconnected with transmission system reinforcements within the SPP transmission system.

A limited dynamic stability analysis was performed for this restudy. The study models were adjusted to reflect the changes listed above and a single contingency was simulated to determine the need for the need for the Gray County – Stevens County 345kV line. The power factor analysis was not performed again. Dynamic Stability Analysis has determined that the transmission system will remain stable with the assigned Network Upgrades and Interconnection Facilities to the Impact Cluster Study Generation Interconnection Customers. Q-V analysis determined that the Gray County – Stevens County 345kV transmission line is now not required for the outage of the Gray County – Finney 345kV transmission line.

The need for reactive compensation in accordance with Order No. 661-A for wind farm interconnection requests and those requirements were determined in the previous Impact Study ICS-2008-001-1 and those results apply.

The total estimated minimum cost for interconnecting the studied generation interconnection request is \$99,186,000. These costs are shown in Appendix E and F. These costs do not include the Interconnection Customer Interconnection Facilities as defined by the SPP Open Access Transmission Tariff (OATT). This cost does not include additional network constraints in the SPP transmission system that were identified are shown in Appendix H.

Network Constraints listed in Appendix H are in the local area of the new generation when this generation is injected throughout the SPP footprint for the Energy Resource (ER) Interconnection

¹ The generation interconnection requests in-service dates will need to be deferred based on the required lead time for the Network Upgrades necessary. The Interconnection Customer’s that proceed to the Facility Study will be provided a new in-service date based on the completion of the Facility Study.

Request. Additional Network constraints will have to be verified with a Transmission Service Request (TSR) and associated studies. With a defined source and sink in a TSR, this list of Network Constraints will be refined and expanded to account for all Network Upgrade requirements.

The required interconnection costs listed in Appendix E and F do not include all costs associated with the deliverability of the energy to final customers. These costs are determined by separate studies if the Customer submits a Transmission Service Request through SPP's Open Access Same Time Information System (OASIS) as required by Attachment Z1 of the SPP OATT.

Based on the SPP Tariff Attachment O, transmission facilities that are part of the SPP Transmission Expansion Plan (STEP) including Sponsored Economic Upgrades or the Balanced Portfolio that may be approved by the SPP Board of Directors will receive notifications to construct. These projects will then be considered construction pending projects and would not be assignable to the Impact Cluster Study Generation Interconnection Requests.

Table of Contents

Introduction.....	5
Model Development	5
Identification of Network Constraints	8
Determination of Cost Allocated Network Upgrades	8
Interconnection Facilities	9
Powerflow.....	9
Stability Analysis.....	11
Regional Map with Proposed Upgrades	Error! Bookmark not defined.
Conclusion	15
Appendix	16
A: Generation Interconnection Requests Considered for Impact Study.....	A-1
B: Prior Queued Interconnection Requests	B-1
C: Study Groupings.....	C-1
D: Proposed Point of Interconnection One line Diagrams	D-1
E: Cost Allocation per Interconnection Request	E-1
F: Cost Allocation per Proposed Network Upgrade.....	F-1
G: ACCC Analysis (Scenario 0) with Hitchland-Woodward 345kV	G-1
H: ACCC Analysis (Scenario 0) without Hitchland-Woodward 345kV.....	H-1

Introduction

Generation Interconnection Requests in the Southwest Power Pool (SPP) Generation Interconnection Queue have been clustered together for the following Impact Cluster Study. This Impact Cluster Study analyzes multiple generation interconnection requests associated with new generation totaling 5,851 MW which would be located within the transmission systems of Missouri Public Service (MIPU), Mid-Kansas Electric Power LLC (MKEC), Oklahoma Gas and Electric (OKGE), Southwestern Public Service (SPS), Sunflower Electric Power Corporation (SUNC), Westar Energy (WERE) and/or Western Farmers Electric Cooperative (WFEC). The various generation interconnection requests have differing proposed in-service dates. The generation interconnection requests included in this Impact Cluster Study are listed in Appendix A by their queue number, amount, area, requested interconnection point, proposed interconnection point, and the requested in-service date.

The primary objective of this Impact Cluster Study is to identify the system constraints associated with connecting the generation to the area transmission system. The Impact and other subsequent Interconnection Studies are designed to identify attachment facilities, Network Upgrades and other Direct Assignment Facilities needed to accept power into the grid at each specific interconnection receipt point.

Model Development

Interconnection Requests Included in the Cluster

SPP has included certain interconnection requests to be analyzed in this cluster study. The interconnection requests are listed in Appendix A.

Previous Queued Projects

The previous queued projects included in this study are listed in Appendix B. In addition to the Base Case Upgrades, the previous queued projects were assumed to be in-service and added to the Base Case models. These projects were dispatched as Energy Resources (ERIS) with equal distribution across the SPP footprint.

Development of Base Cases

Powerflow - The 2009 series Transmission Service Request (TSR) Models 2010 spring and 2014 summer and winter peak scenario 0 peak cases were used for this study. After the 2010 spring and the 2014 summer peak cases were developed, each of the control areas' resources were then re-dispatched using current dispatch orders.

Stability – The 2009 series SPP Model Development Working Group (MDWG) Models 2010 winter and 2010 summer were used for this study.

Base Case Upgrades

The following facilities have been previously assigned or are in construction stages and were assumed to be in-service at the time of dispatch and added to the base case models.

- Priority Projects²
 - Hitchland-Woodward double circuit 345kV transmission line
 - Comanche-Woodward double circuit 345kV transmission line
 - Comanche-Medicine Lodge double circuit 345kV transmission line
 - Medicine Lodge – Wichita double circuit 345kV transmission line
 - Medicine Lodge 345/138kV autotransformer
- Hitchland 345/230/115kV upgrades to be built by SPS for 2010/2011 in-service³.
 - Hitchland – Pringle 230kV line
 - Hitchland – Moore County 230kV line
 - Hitchland – Ochiltree 230kV line
 - Hitchland – Texas County 115kV line
 - Hitchland – Hansford County 115kV line
 - Hitchland – Sherman County Tap 115kV line
- Valliant – Hugo – Sunnyside 345kV – assigned to Aggregate Study AG3-2006 Customers for 2011 in-service
- Wichita – Reno County – Summit 345kV to be built by WERE for 2011 in-service⁴.
- Rose Hill – Sooner 345kV to be built by WERE/OKGE for 2012 in-service.
- Finney – Holcomb 345kV Ckt #2 line assigned to GEN-2006-044 interconnection customer for possible 2010 in-service⁵.
- Tuco – Woodward 345kV line approved by the SPP Board of Directors as part of the Balanced Portfolio and issued an NTC in June, 2009
- Spearville – Knoll- Axtell 345kV line approved by the SPP Board of Directors as part of the Balanced Portfolio and issued an NTC in June, 2009

Potential Upgrades Not in the Base Case

Any potential upgrades that do not have a Notification to Construct (NTC) have not been included in the base case. These upgrades include any identified in the SPP Extra-High Voltage (EHV) overlay plan or any other SPP planning study other than the upgrades listed above in the previous section.

Regional Groupings

The interconnection requests listed in Appendix A were grouped together in eight different regional groups based on geographical and electrical impacts. These groupings are shown in Appendix C.

To determine interconnection impacts, eight different dispatch variations of the spring base case models were developed to accommodate the regional groupings.

² Notice to Construct issued June, 2010

³ Approved 230kV upgrades are based on SPP 2007 STEP. Upgrades may need to be re-evaluated in the system impact study.

⁴ Approved based on an order of the Kansas Corporation Commission issued in Docket no. 07-WSEE-715-MIS

⁵ Based on Facility Study Posting November 2008

Powerflow - For each group, the various wind generating plants were modeled at 80% nameplate of maximum generation. The wind generating plants in the other areas were modeled at 20% nameplate of maximum generation. This process created eight different scenarios with each group being studied at 80% nameplate rating. These projects were dispatched as Energy Resources with equal distribution across the SPP footprint. This method allowed for the identification of network constraints that were common to the regional groupings that could then in turn have the mitigating upgrade cost allocated throughout the entire cluster. The generation was also modeled at 100% nameplate for certain analysis to determine constraints at the point of interconnection.

Peaking units were not dispatched in the 2010 spring model. To study peaking units' impacts, the 2014 summer peak model was chosen and peaking units were modeled at 100% of the nameplate rating and wind generating facilities were modeled at 10% of the nameplate rating.

Stability - For each group, all interconnection requests (wind and non-wind) were modeled at 100% nameplate of maximum generation in both winter and summer seasonal models. The wind generation interconnection requests in the other areas were modeled at 20% nameplate of maximum generation while fossil units were modeled at 100% in the other areas. This process created eight different scenarios with each group being studied at 100% nameplate rating. These projects were dispatched as Energy Resources with equal distribution across the SPP footprint.

Identification of Network Constraints

The initial set of network constraints were found by using PTI MUST First Contingency Incremental Transfer Capability (FCITC) analysis on the entire cluster grouping dispatched at the various levels mentioned above. An additional FCITC analysis was conducted for each interconnection request individually at 100% nameplate. These constraints were then screened to determine if any of the generation interconnection requests had at least a 20% Distribution Factor (DF) upon the constraint. Constraints that measured at least a 20% DF from at least one interconnection request were considered for mitigation.

Determination of Cost Allocated Network Upgrades

Cost Allocated Network Upgrades of wind generation interconnection requests were determined using the 2010 spring model. Cost Allocated Network Upgrades of peaking units was determined using the 2014 summer peak model. Once a determination of the required Network Upgrades was made, a powerflow model of the 2010 spring case was developed with all cost allocated Network Upgrades in-service. A MUST FCITC analysis was performed to determine the Power Transfer Distribution Factors (PTDF), defined as a distribution factor with system intact conditions that each generation interconnection request had on each new upgrade. The impact each generation interconnection request had on each upgrade project was weighted by the size of each request. Finally the costs due by each request for a particular project were then determined by allocating the portion of each request's impact over the impact of all affecting requests.

For example, assume that there are three Generation Interconnection requests, X, Y, and Z that are responsible for the costs of Upgrade Project '1'. Given that their respective PTDF for the project have been determined, the cost allocation for Generation Interconnection request 'X' for Upgrade Project 1 is found by the following set of steps and formulas:

- Determine an Impact Factor on a given project for all responsible GI requests:

$$\text{Request X Impact Factor on Upgrade Project 1} = \text{PTDF}\%(X) * \text{MW}(X) = X1$$

$$\text{Request Y Impact Factor on Upgrade Project 1} = \text{PTDF}\%(Y) * \text{MW}(Y) = Y1$$

$$\text{Request Z Impact Factor on Upgrade Project 1} = \text{PTDF}\%(Z) * \text{MW}(Z) = Z1$$

- Determine each request's Allocation of Cost for that particular project:

$$\text{Request X's Project 1 Cost Allocation (\$)} = \frac{\text{Network Upgrade Project 1 Cost(\$)} * X1}{X1 + Y1 + Z1}$$

- Repeat previous for each responsible GI request for each Project

The cost allocation of each needed Network Upgrade is determined by the size of each request and its impact on the given project. This allows for the most efficient and reasonable mechanism for sharing the costs of upgrades.

Credits for Amounts Advanced for Network Upgrades

Interconnection Customer shall be entitled to credits in accordance with Attachment Z1 of the SPP Tariff for any Network Upgrades including any tax gross-up or any other tax-related payments associated with the Network Upgrades, and not refunded to the Interconnection Customer.

Interconnection Facilities

The requirement to interconnect the 5,851 MW of generation into the existing and proposed transmission systems in the affected areas of the SPP transmission footprint consist of the necessary cost allocated shared facilities listed in Appendix F. Interconnection Facilities specific to each generation interconnection request are listed in Appendix E. Appendix F lists the costs by upgrade. The total for interconnection facilities owned by transmission owners and network upgrades is approximately \$99,186,000.

Other Network Constraints in the AEPW, MIDW, OKGE, SPS, SUNC, SWPA, MKEC, WERE, AND WFEC transmission systems that were identified are shown in Appendix H. With a defined source and sink in a TSR, this list of Network Constraints will be refined and expanded to account for all Network Upgrade requirements.

A preliminary one-line drawing for each generation interconnection request are listed in Appendix D. Figure 1 depicts the major transmission line Network Upgrades needed to support the interconnection of the generation amounts requested in this study.

Powerflow

Powerflow Analysis Methodology

The Southwest Power Pool (SPP) Criteria states that:

“The transmission system of the SPP region shall be planned and constructed so that the contingencies as set forth in the Criteria will meet the applicable NERC Reliability Standards for transmission planning. All MDWG power flow models shall be tested to verify compliance with the System Performance Standards from NERC Table 1 – Category A.”

The ACCC function of PSS/E was used to simulate single contingencies in portions or all of the modeled control areas of AEPW, EMDE, Grand River Dam Authority (GRDA), Kansas City Power & Light (KCPL), MIDW, MIPU, OKGE, SPS, SUNC, WERE, WFEC and other control areas were applied and the resulting scenarios analyzed. This satisfies the “more probable” contingency testing criteria mandated by NERC and the SPP criteria.

Powerflow Analysis

A powerflow analysis was conducted for each Interconnection Customer's facility using modified versions of the 2010 spring peak and the 2014 summer peak models. The output of the Interconnection Customer's facility was offset in each model by a reduction in output of existing online SPP generation. This method allows the request to be studied as an Energy Resource (ERIS) Interconnection Request. The available seasonal models used were through the 2014 Summer Peak.

This analysis was conducted assuming that previous queued requests in the immediate area of these interconnect requests were in-service. The analysis of the each Customer's project indicates that additional criteria violations will occur on the AEPW, MIDW, OKGE, SPS, SUNC, SWPA, MKEC, WERE, AND WFEC transmission systems under steady state and contingency conditions in the peak seasons.

Cluster Group 1 (Woodward Area)

The Woodward area contained approximately 2,338 MW of new interconnection requests in addition to the 739MW of prior queued interconnection requests. After priority projects were added in the model, no additional constraints were found.

Cluster Group 2 (Hitchland Area)

The Hitchland area contained 435 MW of interconnection request in addition to the 1,958 MW of previous queued generation interconnection requests. After priority projects were added in the model, no additional constraints were found including the previously discussed constraint of loss of the loss of the Stevens County – Finney 345kV transmission line which was determined to possibly cause voltage collapse at the Hitchland 345kV bus. This constraint is mitigated with the double circuit 345kV line from Hitchland-Woodward.

Cluster Group 3 (Spearville Area)

The Spearville area contained 1,110 MW of interconnection requests and 660 MW of previous queued interconnection requests. The Spearville–Knoll-Axtell 345kV line and priority projects were modeled for this area. The major constraints caused by the Spearville area cluster include the Spearville 345/230kV transformer. To mitigate this constraint, a second transformer is needed.

Cluster Group 4 (Mingo/NW Kansas Group)

The Mingo/NW Kansas group had 300 MW in addition to the 715 MW of previously queued generation in the area. There were no additional constraints found.

Cluster Group 5 (Amarillo Area)

The Amarillo group was revised to contain 400 MW of interconnection requests in addition to the 1,506 MW of previously queued interconnection requests in this area. No additional constraints were found.

Cluster Group 6 (South Panhandle/New Mexico)

This group had 668 MW of interconnection requests in addition to the 570 MW of previously queued interconnection requests. The Tuco-Woodward 345kV line was modeled for this area. No additional constraints were found.

Cluster Group 7 (Southwestern Oklahoma)

This group had 600 MW of interconnection requests in addition to the 947 MW of previous queued generation in the area. With the reduction of queued generation to the west of this area, no constraints were found in this area with the exception of some local issues.

Cluster Group 8 (South Central Kansas)

GEN-2007-025 had been grouped in the Spearville group in the Facility Study. For the Impact Study, GEN-2007-025 was broken out of Group 3 due to its geographical distance from the Kansas – The GEN-2007-025 Customer initially chose to interconnect to the Wichita – Woodring 345kV line. SPP changed the point of interconnection to the Comanche-Wichita 345kV line as this line routing was closer to the generating facility. Going into the restudy, the Customer again requested to be interconnected to the Wichita-Woodring 345kV line. No constraints were found with this configuration.

Stability Analysis

A limited stability analysis was conducted for each Interconnection Customer's facility using modified versions of the 2010 winter peak and the 2010 summer peak models. The stability analysis was conducted with all upgrades in service that were identified in the powerflow analysis. For each group, the interconnection requests were studied at 100% nameplate output while the other groups were dispatched at 20% output for wind requests and 100% output for fossil requests. The output of the Interconnection Customer's facility was offset in each model by a reduction in output of existing online SPP generation. The following synopsis is included for each group.

The following faults were run for Groups 1, 2, 3, 5, 6, and 7

1. 3 phase fault at the Tuco-Woodward 345kV midpoint bus. Trip and lockout out Tuco-Woodward 345kV
2. 3 phase fault at Woodward 345kV bus. Trip and lockout out Tuco-Woodward 345kV
3. 3 phase fault at Tuco 345kV bus. Trip and lockout out Tuco-Woodward 345kV
4. 3 phase fault at Hitchland 345kV bus. Trip and lockout out both Hitchland-Woodward 345kV lines
5. 3 phase fault at Woodward 345kV bus. Trip and lockout out both Hitchland-Woodward 345kV lines
6. 3 phase fault at Finney 345kV bus. Trip and lockout out Finney – Stevens County 345kV
7. 3 phase fault at Stevens County 345kV bus. Trip and lockout out Finney – Stevens County 345kV
8. 3 phase fault at Medicine Lodge 345kV bus. Trip and lockout both Medicine Lodge – Wichita 345kV lines
9. 3 phase fault at Wichita 345kV bus. Trip and lockout both Medicine Lodge – Wichita 345kV lines
10. 3 phase fault at Tatonga 345kV bus. Trip and lockout out Tatonga – Northwest 345kV
11. 3 phase fault at Northwest 345kV bus. Trip and lockout out Tatonga – Northwest 345kV

Cluster Group 1 (Woodward Area)

Power Factor and LVRT analysis from ICS-2008-001-1 posted January, 2010 still applies. Transmission system was found to be stable with all network upgrades in service. Power Factor requirements are shown below.

Request	Size (MW)	Generator Model	Point of Interconnection	Final PF Requirement at POI		Capacitors Required?
				Lagging (supplying)	Leading (absorbing)	
GEN-2007-021	200	G.E. 1.5 MW	Tatonga 345kV	0.98	0.95	None
GEN-2007-044	300	G.E. 1.5 MW	Tatonga 345kV	0.98	0.95	None
GEN-2007-050	171	Siemens SWT 2.3MW	Woodward 138kV	0.99	0.99	None
GEN-2007-051	200	G.E. 1.5 MW	Mooreland 138kV	0.95	0.95	Yes
GEN-2007-062	765	G.E. 1.5MW	Woodward 345kV	0.95	0.95	Yes
GEN-2008-003	101.2	Siemens SWT 2.3MW	Woodward 138kV	0.99	0.99	Yes
GEN-2008-013	300	G.E. 1.5 MW	Wichita – Woodring 345kV	0.98	0.98	None
GEN-2008-019	300	Mitsubishi 2.4MW	Tatonga 345kV	0.98	0.95	Yes

Cluster Group 2 (Hitchland Area)

Power Factor and LVRT analysis from ICS-2008-001-1 posted January, 2010 still applies. Transmission system was found to be stable with all network upgrades in service. As discussed earlier, previously determined voltage collapse was observed at Hitchland for the loss of the Stevens County – Finney 345kV transmission line has now been determined to not occur. Power Factor requirements are shown below.

Request	Size (MW)	Generator Model	Point of Interconnection	Final PF Requirement at POI		Capacitors Required?
				Lagging (supplying)	Leading (absorbing)	
GEN-2007-005	200	Furhlander 2.5MW	Pringle 115kV	0.99	0.95	Dependent upon turbine capability
GEN-2007-046	200	G.E. 1.5 MW	Hitchland 115kV	0.99	0.95	None
GEN-2007-057	34.5	G.E. 1.5MW	Moore 115kV	0.95	0.95	Yes

Cluster Group 3 (Spearville Area)

Power Factor and LVRT analysis from ICS-2008-001-1 posted January, 2010 still applies. Transmission system was found to be stable with all network upgrades in service. Power Factor requirements are shown below.

Request	Size (MW)	Generator Model	Point of Interconnection	Final PF Requirement at POI		Capacitors Required?
				Lagging (supplying)	Leading (absorbing)	
GEN-2006-006	205.5	G.E. 1.5 MW	Spearville 230kV	0.95	0.95	Yes
GEN-2007-038	200	Clipper 2.5MW	Spearville 345kV	0.95	0.95	Yes
GEN-2008-018	405	G.E. 1.5MW	Finney 345kV	0.95	0.95	Yes

Cluster Group 4 (Mingo Area)

Power Factor and LVRT analysis from ICS-2008-001-1 posted January, 2010 still applies. No additional simulation were run in this area.

Request	Size (MW)	Generator Model	Point of Interconnection	Final PF Requirement at POI		Capacitors Required?
				Lagging (supplying)	Leading (absorbing)	
GEN-2008-017	300	G.E. 1.5 MW	Setab 345kV	0.95	0.95	No

Cluster Group 5 (Amarillo Area)

Power Factor and LVRT analysis from ICS-2008-001-1 posted January, 2010 still applies. Transmission system was found to be stable with all network upgrades in service.

Request	Size (MW)	Generator Model	Point of Interconnection	Final PF Requirement at POI		Capacitors Required?
				Lagging (supplying)	Leading (absorbing)	
GEN-2007-048	400	Furhlander 2.5MW	Amarillo-Swisher 230kV	1.0	0.95	Dependent upon turbine capability

Cluster Group 6 (South Panhandle Area)

Power Factor and LVRT analysis from ICS-2008-001-1 posted January, 2010 still applies. Transmission system was found to be stable with all network upgrades in service.

Request	Size (MW)	Generator Model	Point of Interconnection	Final PF Requirement at POI		Capacitors Required?
				Lagging (supplying)	Leading (absorbing)	
GEN-2007-034	150	G.E. 1.5 MW	Tolk – Eddy County 345kV	0.98	0.95	None
GEN-2008-008	60	G.E. 1.5 MW	Graham 69kV	0.99	0.95	None
GEN-2008-009	60	G.E. 1.5 MW	San Juan Mesa 230kV	0.95	0.95	Yes
GEN-2008-014	150	Vestes V90 1.8MW	Tuco-Oklauion 345kV	0.95	0.95	Yes
GEN-2008-016	248.5	Vestes V90* 1.8MW	Grassland 230kV	0.98	0.95	Yes

* GEN-2008-016 currently under restudy for use of Siemens 2.3 MW turbines.

Cluster Group 7 (Southwest Oklahoma)

Power Factor and LVRT analysis from ICS-2008-001-1 posted January, 2010 still applies. Transmission system was found to be stable with all network upgrades in service.

Request	Size (MW)	Generator Model	Point of Interconnection	Final PF Requirement at POI		Capacitors Required?
				Lagging (supplying)	Leading (absorbing)	
GEN-2007-032	150	Acciona 1.5	Clinton –Clinton Jct 138kV	0.99	0.95	None

Cluster Group 8 (South Central Kansas)

Power Factor and LVRT analysis from ICS-2008-001-1 posted January, 2010 still applies. No additional simulations were run in this area.

Request	Size (MW)	Generator Model	Point of Interconnection	Final PF Requirement at POI		Capacitors Required?
				Lagging (supplying)	Leading (absorbing)	
GEN-2007-025	300	Clipper 2.5 MW	Wichita – Woodring 345kV	0.95	0.95	Yes

Conclusion

The minimum cost of interconnecting all of the interconnection requests included in this Impact Cluster Study is estimated at \$99,186,000 for the Allocated Network Upgrades and Transmission Owner Interconnection Facilities are listed in Appendix E and F. These costs do not include the cost of upgrades of other transmission facilities listed in Appendix I which are Network Constraints.

The required interconnection costs listed in Appendices E, and F, and other upgrades associated with Network Constraints do not include all costs associated with the deliverability of the energy to final customers. These costs are determined by separate studies if the Customer submits a Transmission Service Request (TSR) through SPP's Open Access Same Time Information System (OASIS) as required by Attachment Z1 of the SPP Open Access Transmission Tariff (OATT).

Appendix

A: Generation Interconnection Requests Considered for Impact Study

Request	Amount	Area	Requested Point of Interconnection	Proposed Point of Interconnection	Requested In-Service Date
GEN-2006-006	205	MKEC	Spearville 230kV	Spearville 230kV	12/31/2010
GEN-2007-005	200	SPS	Pringle 115kV	Pringle 115kV	12/1/2008
GEN-2007-021	201	OKGE	Dewey 138kV	*Tatonga 345kV	8/1/2009
GEN-2007-025	300	WERE	Wichita – Woodring 345kV	* Wichita – Woodring 345kV	10/1/2009
GEN-2007-032	150	WFEC	Clinton Junction - Clinton 138kV	Clinton Junction - Clinton 138kV	12/31/2010
GEN-2007-034	150	SPS	Tolk - Eddy County 345kV	Tolk - Eddy County 345kV	8/15/2010
GEN-2007-038	200	SUNC	Spearville 345kV	Spearville 345kV	12/31/2012
GEN-2007-043	300	AEPW	Lawton Eastside - Cimarron 345kV	Lawton Eastside - Cimarron 345kV	12/1/2009
GEN-2007-044	300	OKGE	Roman Nose 138kV	*Tatonga 345kV	12/1/2009
GEN-2007-046	200	SPS	Texas County - *Hitchland 115kV	*Hitchland 115kV	12/31/2011
GEN-2007-048	400	SPS	Amarillo South - Swisher County 230kV	Amarillo South - Swisher County 230kV	11/1/2009
GEN-2007-050	171	OKGE	Woodward 138kV	Woodward EHV 138kV	10/1/2009
GEN-2007-051	200	WFEC	Mooreland 138kV	Mooreland 138kV	11/7/2007
GEN-2007-052	150	WFEC	Anadarko 138kV	Anadarko 138kV	5/1/2008
GEN-2007-057	35	SPS	Valero 115kV	Moore County East 115kV	5/1/2009
GEN-2007-062	765	OKGE	*Woodward 345kV	*Woodward 345kV	12/31/2011
GEN-2008-003	101	OKGE	Woodward 138kV	*Woodward EHV 138kV	8/31/2009
GEN-2008-008	60	SPS	Graham 69kV	Graham 69kV	12/31/2010
GEN-2008-009	60	SPS	San Juan Mesa 230kV	San Juan Mesa 230kV	3/1/2012
GEN-2008-013	300	OKGE	Wichita – Woodring 345kV	Wichita - Woodring 345kV	10/1/2010
GEN-2008-014	150	SPS	TUCO - Oklaunion 345kV	TUCO - Oklaunion 345kV	12/1/2010
GEN-2008-016	248	SPS	Grassland 230kV	Grassland 230kV	12/1/2009
GEN-2008-017	300	SUNC	Setab 345kV	Setab 345kV	3/1/2012
GEN-2008-018	405	SUNC	Holcomb - Spearville 345kV	Finney 345kV	12/31/2012
GEN-2008-019	300	OKGE	Dewey 138kV	*Tatonga 345kV	12/31/2012
GROUPED TOTAL	5,851				

* Planned Facility

^ Proposed Facility

*** Electrically Remote Interconnection Requests

B: Prior Queued Interconnection Requests

Request	Amount	Area	Requested/Proposed Point of Interconnection	Status or In-Service Date
GEN-2001-014	96	WFEC	Fort Supply 138kV	On-Line
GEN-2001-026	74	WFEC	Washita 138kV	On-Line
GEN-2001-033	180	SPS	San Juan Mesa Tap 230kV	On-Line
GEN-2001-036	80	SPS	Caprock Tap 115kV	On-Line
GEN-2001-037	103	OKGE	Windfarm Switching 138kV	On-Line
GEN-2001-039A	105	MKEC	Greensburg - Judson-Large 115kV	On Schedule for 2011
GEN-2001-039M	100	SUNC	Leoti – City Services 115kV	On-Line
GEN-2002-005	120	WFEC	Morewood - Elk City 138kV	On-Line
GEN-2002-006	150	SPS	Texas County 115kV	IA Executed/On Schedule 12/31/2010
GEN-2002-008	240	SPS	*Hitchland 345kV	On-Line at 120MW
GEN-2002-009	80	SPS	Hansford County 115kV	On-Line
GEN-2002-022	240	SPS	Bushland 230kV	On-Line at 160MW remaining 80MW on schedule for 12/2011
GEN-2002-025A	150	MKEC	Spearville 230kV	On-Line at 100MW/ remaining 50MW scheduled for 2010
GEN-2003-004	100	WFEC	Washita 138kV	On-Line
GEN-2003-005	100	WFEC	Anadarko - Paradise 138kV	On Line
GEN-2003-013**	198	SPS	*Hitchland - Finney 345kV	On Schedule for 2012
GEN-2003-020	160	SPS	Carson County 115kV	On-Line at 80MW / no schedule for remaining
GEN-2003-022	120	AEPW	Washita 138kV	On-Line
GEN-2004-014	155	MKEC	Spearville 230kV	50 MW on schedule for 2010 / 100 MW on schedule for 2012
GEN-2004-020	27	AEPW	Washita 138kV	On-Line
GEN-2004-023	21	WFEC	Washita 138kV	On-Line
GEN-2005-003	31	WFEC	Washita 138kV	On-Line
GEN-2005-008	120	OKGE	Woodward 138kV	On-Line
GEN-2005-010	160	SPS	Roosevelt County - Tolk West 230kV (Single Ckt Tap)	On Suspension
GEN-2005-012	250	SUNC	Spearville 345kV	On Suspension
GEN-2005-015	150	SPS	Tuco - Oklaunion 345kV	On Suspension
GEN-2005-017	340	SPS	*Hitchland - Potter County 345kV	On Suspension
GEN-2005-021	86	SPS	Kirby 115kV	On Suspension
GEN-2006-002	150	AEPW	Grapevine - Elk City 230kV	On Suspension
GEN-2006-020	20	SPS	*Hitchland - Sherman County Tap	IA Executed/On Schedule 12/31/2010
GEN-2006-032	200	MIDW	South Hays 230kV	On Suspension
GEN-2006-034	81	SUNC	Kanarado - Sharon Springs 115kV	On Suspension
GEN-2006-035	225	AEPW	Grapevine - Elk City 230kV	On Suspension
GEN-2006-039	400	SPS	Tap and Tie both Potter County - Plant X 230kV and Bushland - Deaf Smith 230kV	On Suspension
GEN-2006-040	100	SUNC	Mingo 115kV	On Suspension
GEN-2006-043	99	AEPW	Grapevine - Elk City 230kV	On-Line
GEN-2006-044	370	SPS	*Hitchland 345kV	On Suspension
GEN-2006-045	240	SPS	Tap and Tie both Potter County - Plant X 230kV and Bushland - Deaf Smith 230kV	On Suspension
GEN-2006-046	130	OKGE	Dewey 138kV	On Schedule for 2010

Request	Amount	Area	Requested/Proposed Point of Interconnection	Status or In-Service Date
GEN-2006-047	240	SPS	Tap and Tie both Potter County - Plant X 230kV and Bushland - Deaf Smith 230kV	On Schedule for 2013
GEN-2006-049	400	SPS	*Hitchland - Finney 345kV	On schedule for 2014
GEN-2007-002	160	SPS	Grapevine 115kV	On Suspension
GEN-2007-006	160	OKGE	Roman Nose 138kV	On Suspension
GEN-2007-011	135	SUNC	Syracuse 115kV	On Schedule
GEN-2007-013	99	SUNC	Selkirk 115kV	On Schedule
GROUPED TOTAL	7,085			

* Planned Facility

C: Study Groupings

Cluster	Request	Amount	Area	Proposed Point of Interconnection
Prior Queued	GEN-2001-014	96	WFEC	Fort Supply 138kV
	GEN-2001-037	103	OKGE	Windfarm Switching 138kV
	GEN-2002-005	120	WFEC	Morewood - Elk City 138kV
	GEN-2005-008	130	OKGE	Woodward 138kV
	GEN-2006-046	130	OKGE	Dewey 138kV
	GEN-2007-006	160	OKGE	Roman Nose 138kV
PRIOR QUEUED SUBTOTAL		739		
Cluster	Request	Amount	Area	Proposed Point of Interconnection
Woodward	GEN-2007-021	201	OKGE	*Tatonga 345kV
	GEN-2007-044	300	OKGE	*Tatonga 345kV
	GEN-2007-050	200	OKGE	*Woodward 138kV
	GEN-2007-051	171	WFEC	Mooreland 138kV
	GEN-2007-062	765	OKGE	*Woodward 345kV
	GEN-2008-003	101	OKGE	*Woodward EHV 138kV
	GEN-2008-013	300	OKGE	Wichita - Woodring 345kV
	GEN-2008-019	300	OKGE	*Tatonga 345kV
WOODWARD SUBTOTAL		2,338		
AREA SUBTOTAL		3,077		

Cluster	Request	Amount	Area	Proposed Point of Interconnection
Prior Queued	GEN-2002-006	150	SPS	Texas County 115kV
	GEN-2002-008	240	SPS	*Hitchland 345kV
	GEN-2002-009	80	SPS	Hansford County 115kV
	GEN-2003-013	198	SPS	*Hitchland - Finney 345kV
	GEN-2003-020	160	SPS	Carson County 115kV
	GEN-2005-017	340	SPS	*Hitchland - Potter County 345kV
	GEN-2006-020	20	SPS	*Hitchland - Sherman County Tap
	GEN-2006-044	370	SPS	*Hitchland 345kV
	GEN-2006-049	400	SPS	*Hitchland - Finney 345kV
PRIOR QUEUED SUBTOTAL		1,958		
Cluster	Request	Amount	Area	Proposed Point of Interconnection
Hitchland	GEN-2007-005	200	SPS	Pringle 115kV
	GEN-2007-046	200	SPS	*Hitchland 115kV
	GEN-2007-057	35	SPS	Moore County East 115kV
HITCHLAND SUBTOTAL		435		
AREA SUBTOTAL		2,393		

Cluster	Request	Amount	Area	Proposed Point of Interconnection
Prior Queued	GEN-2001-039A	105	MKEC	Greensburg - Judson-Large 115kV
	GEN-2002-025A	150	MKEC	Spearville 230kV
	GEN-2004-014	155	MKEC	Spearville 230kV
	GEN-2005-012	250	SUNC	Spearville 345kV
PRIOR QUEUED SUBTOTAL		660		
Cluster	Request	Amount	Area	Proposed Point of Interconnection
Spearville	GEN-2006-006	205	MKEC	Spearville 230kV
	GEN-2007-025	300	WERE	Wichita-Woodring 345kV
	GEN-2007-038	200	SUNC	Spearville 345kV
	GEN-2008-018	405	SUNC	Finney 345kV
SPEARVILLE SUBTOTAL		1110		
AREA SUBTOTAL		1,770		

Cluster	Request	Amount	Area	Proposed Point of Interconnection
Prior Queued	GEN-2001-039M	100	SUNC	Leoti - City Services 115kV
	GEN-2006-032	200	MIDW	South Hays 230kV
	GEN-2006-034	81	SUNC	Kanarado - Sharon Springs 115kV
	GEN-2006-040	100	SUNC	Mingo 115kV
	GEN-2007-011	135	SUNC	Syracuse 115kV
	GEN-2007-013	99	SUNC	Selkirk 115kV
PRIOR QUEUED SUBTOTAL		715		
Cluster	Request	Amount	Area	Proposed Point of Interconnection
	GEN-2008-017	300	SUNC	Setab 345kV
MINGO/NW KANSAS SUBTOTAL		300		
AREA SUBTOTAL		1,015		

Cluster	Request	Amount	Area	Proposed Point of Interconnection
Prior Queued	GEN-2002-022	240	SPS	Bushland 230kV
	GEN-2005-021	86	SPS	Kirby 115kV
	GEN-2006-039	400	SPS	Tap and Tie both Potter County - Plant X 230kV and Bushland - Deaf Smith 230kV
	GEN-2006-045	240	SPS	Dewey 138kV
	GEN-2006-047	240	SPS	Tap and Tie both Potter County - Plant X 230kV and Bushland - Deaf Smith 230kV
	GEN-2007-002	160	SPS	Grapevine 115kV
PRIOR QUEUED SUBTOTAL		1,366		
Cluster	Request	Amount	Area	Proposed Point of Interconnection
	GEN-2007-048	400	SPS	Amarillo South - Swisher County 230kV
AMARILLO SUBTOTAL		400		
AREA SUBTOTAL		1,766		

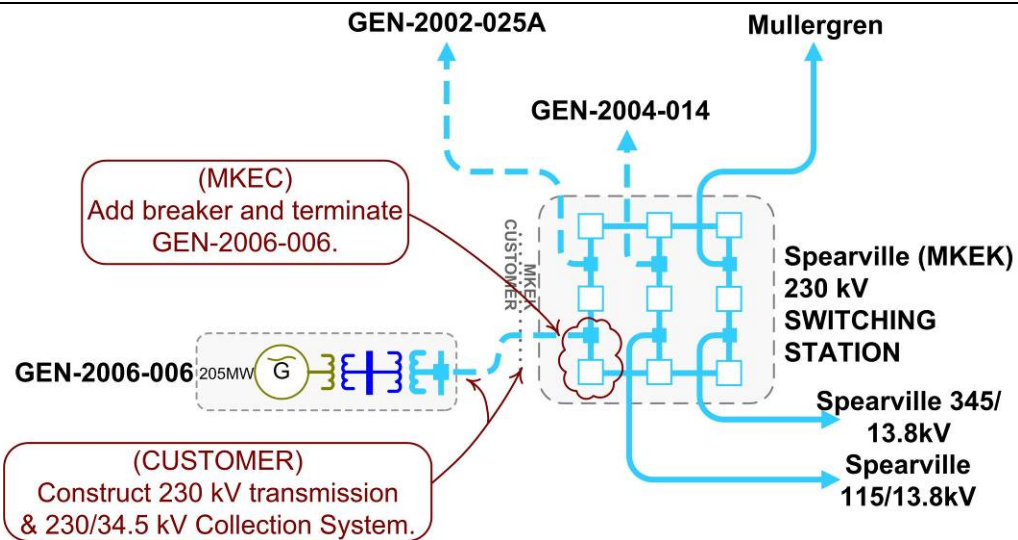
Cluster	Request	Amount	Area	Proposed Point of Interconnection
Prior Queued	GEN-2001-033	180	SPS	San Juan Mesa Tap 230kV
	GEN-2001-036	80	SPS	Caprock Tap 115kV
	GEN-2005-010	160	SPS	Roosevelt County - Tolk West 230kV (Single Ckt Tap)
	GEN-2005-015	150	SPS	TUCO - Oklaunion 345kV
PRIOR QUEUED SUBTOTAL		570		
Cluster	Request	Amount	Area	Proposed Point of Interconnection
	GEN-2007-034	150	SPS	Tolk - Eddy County 345kV
	GEN-2008-008	60	SPS	Graham 115kV
	GEN-2008-009	60	SPS	San Juan Mesa 230kV
	GEN-2008-014	150	SPS	TUCO - Oklaunion 345kV
	GEN-2008-016	248	SPS	Grassland 230kV
SOUTH PANHANDLE/NM SUBTOTAL		668		
AREA SUBTOTAL		1,238		

Cluster	Request	Amount	Area	Proposed Point of Interconnection
Prior Queued	GEN-2001-026	74	WFEC	Fort Supply 138kV
	GEN-2003-004	101	WFEC	Washita 138kV
	GEN-2003-005	100	WFEC	Anadarko - Paradise 138kV
	GEN-2003-022	120	AEPW	Washita 138kV
	GEN-2004-020	27	AEPW	Washita 138kV
	GEN-2004-023	21	WFEC	Washita 138kV
	GEN-2005-003	31	WFEC	Washita 138kV
	GEN-2006-002	150	AEPW	Grapevine - Elk City 230kV
	GEN-2006-035	225	AEPW	Grapevine - Elk City 230kV
GEN-2006-043	99	AEPW	Grapevine - Elk City 230kV	
PRIOR QUEUED SUBTOTAL		948		
Cluster	Request	Amount	Area	Proposed Point of Interconnection
SW Oklahoma ^a	GEN-2007-032	150	WFEC	Clinton Junction - Clinton 138kV
	GEN-2007-043	300	AEPW	Lawton Eastside - Cimarron 345kV
	GEN-2007-052	150	WFEC	Anadarko 138kV
SW OKLAHOMA SUBTOTAL		600		
AREA SUBTOTAL		1,548		
***CLUSTERED TOTAL (w/o PRIOR QUEUED)		5,851		
***CLUSTERED TOTAL (w/PRIOR QUEUED)		12,936		

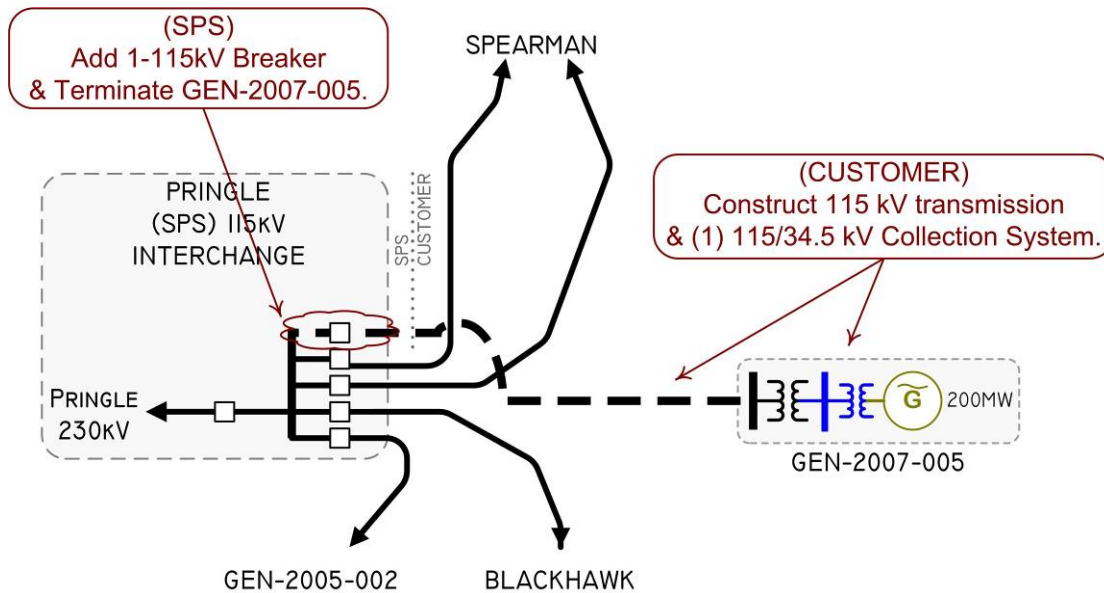
* Planned Facility
 ^ Proposed Facility
 ** Alternate requests - counted as one request for study purpose
 *** Electrically Remote Interconnection Requests included in total

D: Proposed Point of Interconnection One line Diagrams

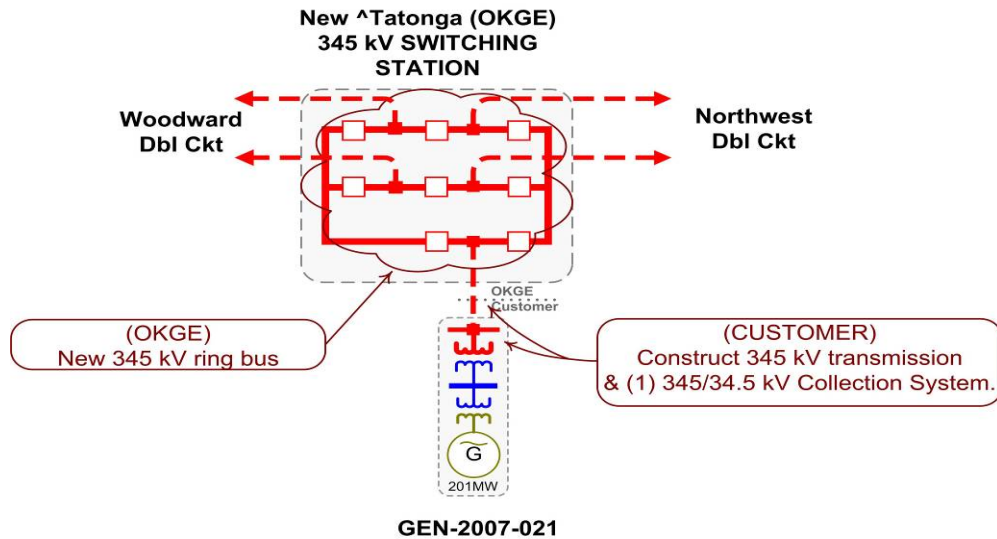
GEN-2006-006



GEN-2007-005

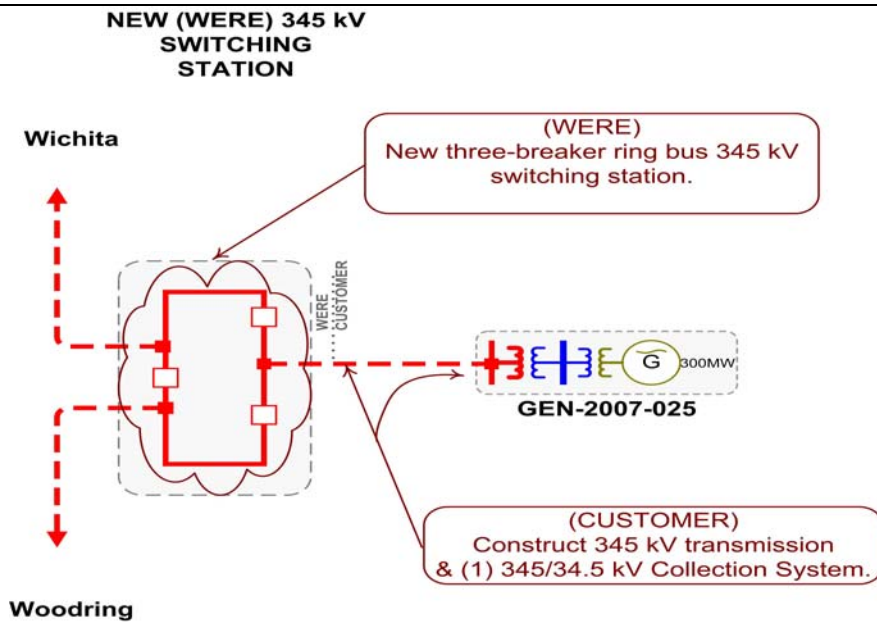


GEN-2007-021

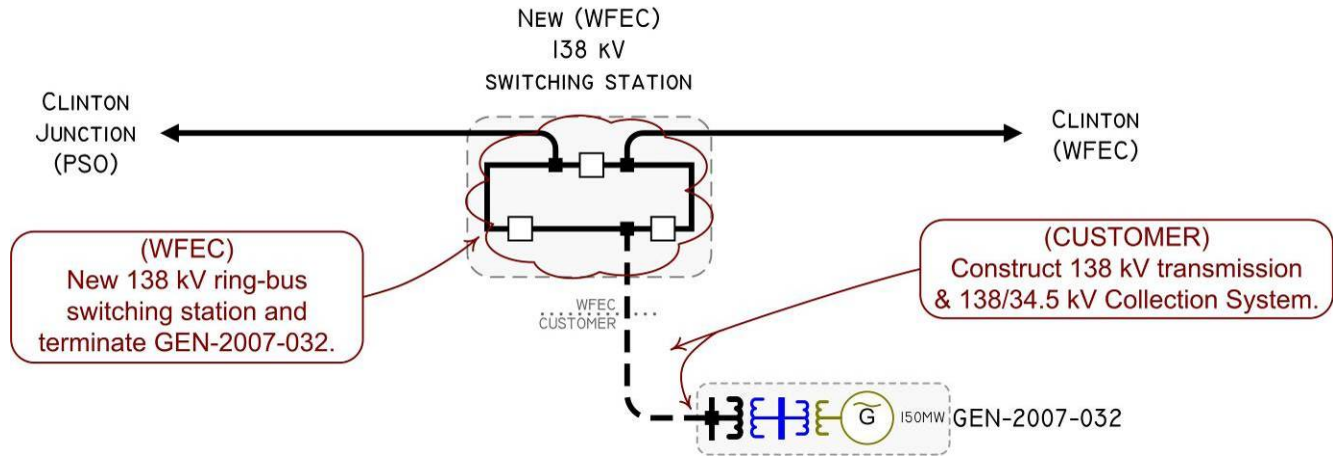


* Planned ^ Proposed

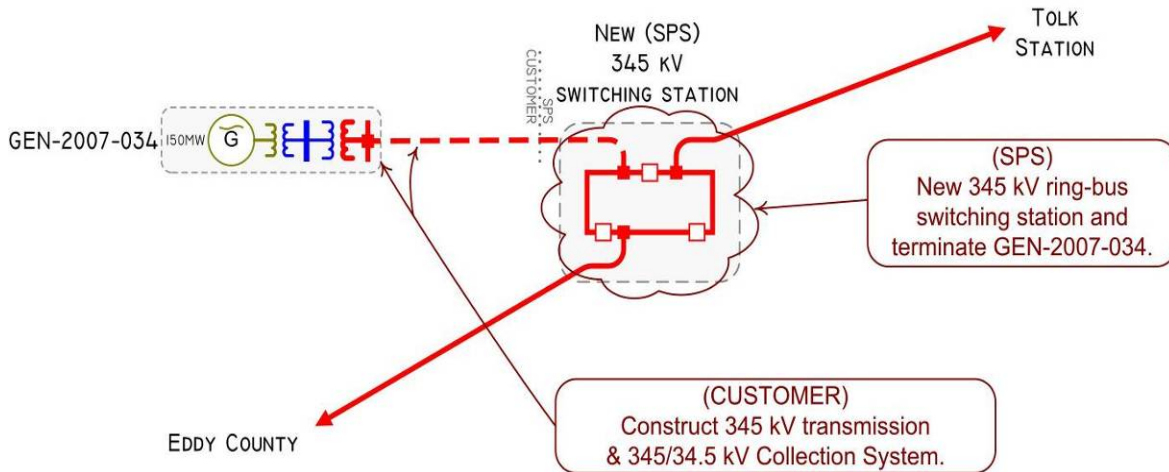
GEN-2007-025



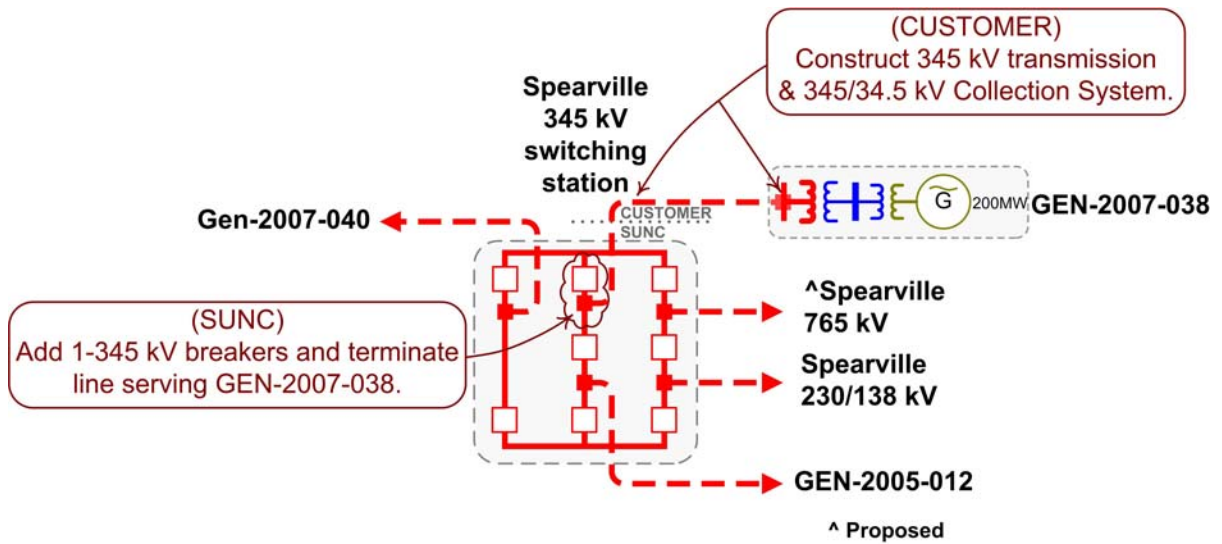
GEN-2007-032



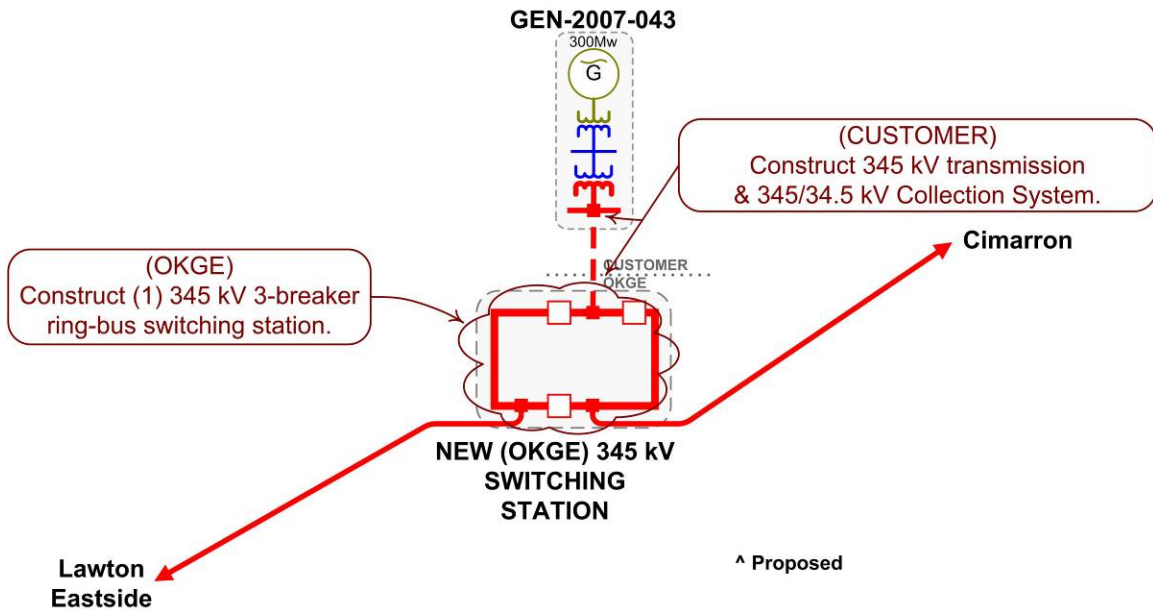
GEN-2007-034



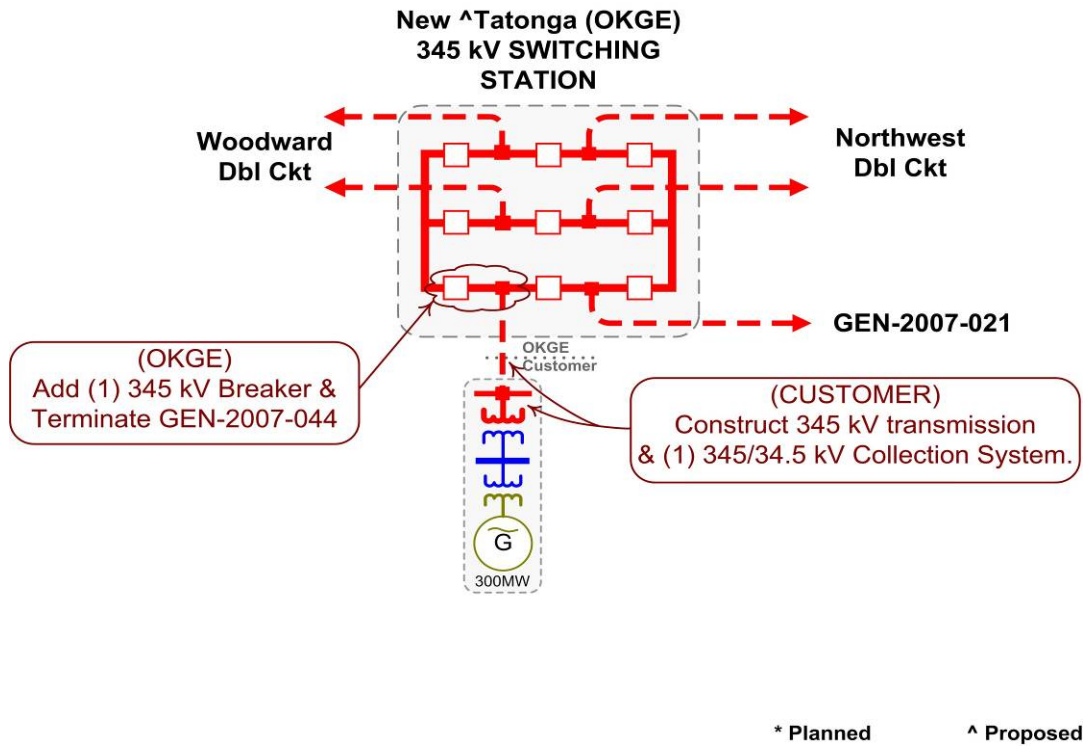
GEN-2007-038



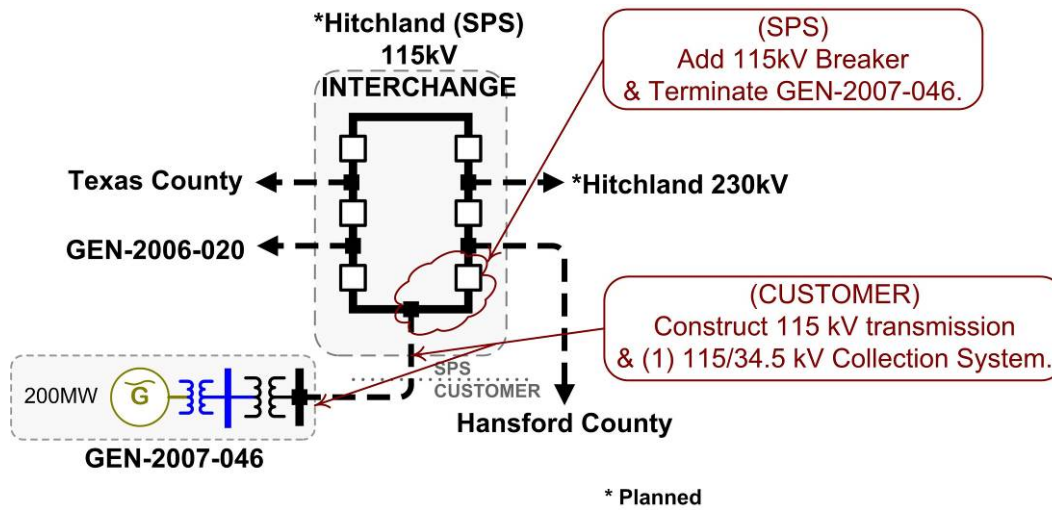
GEN-2007-043



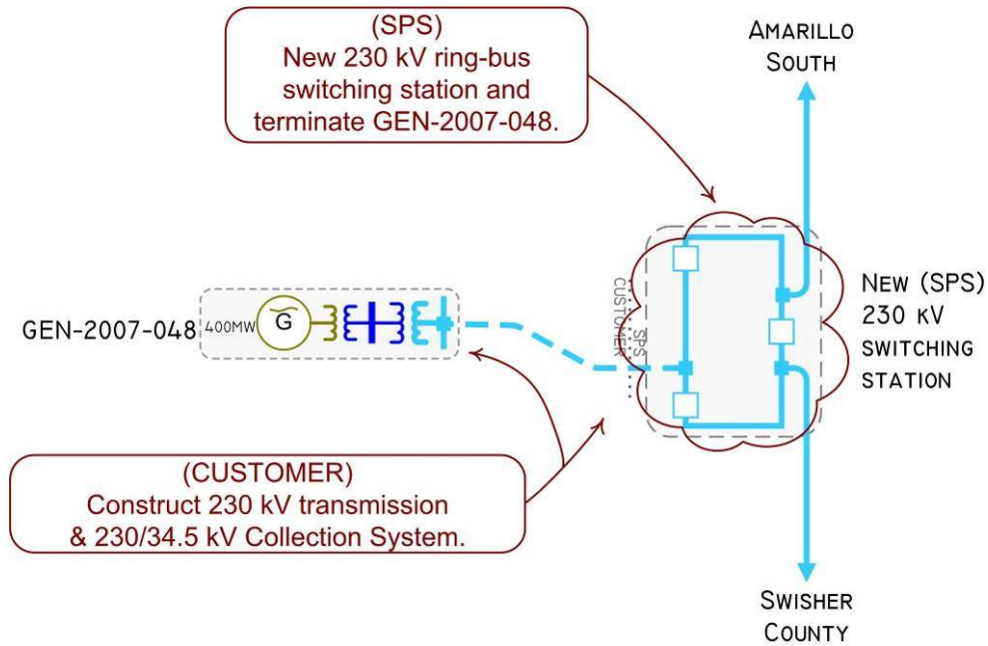
GEN-2007-044



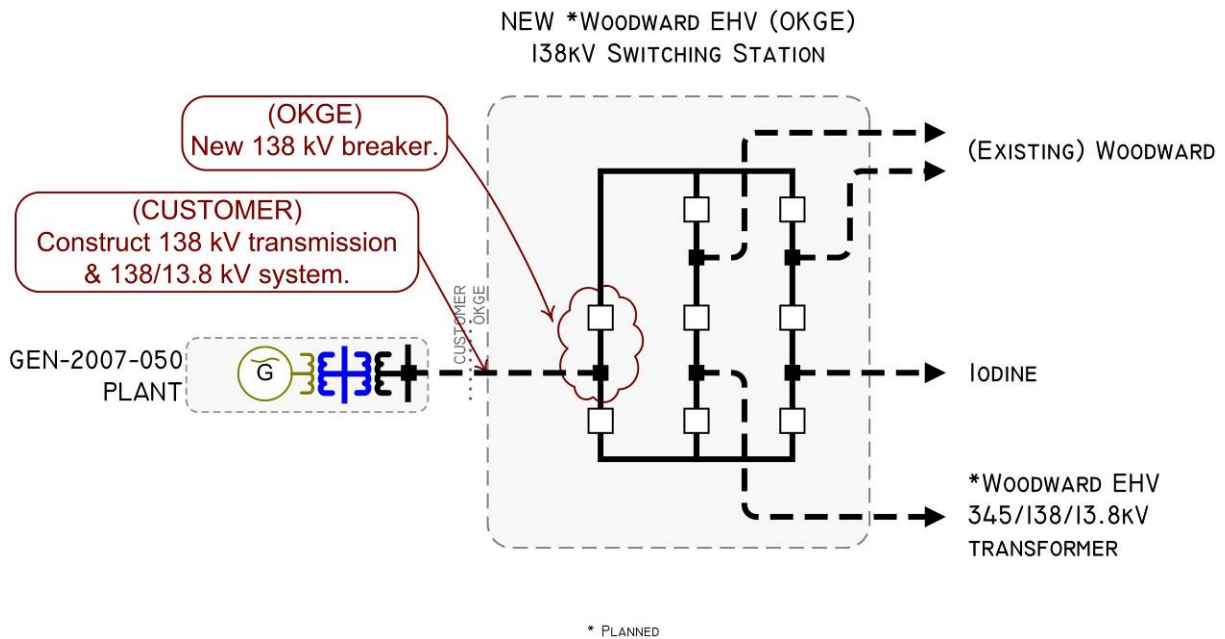
GEN-2007-046



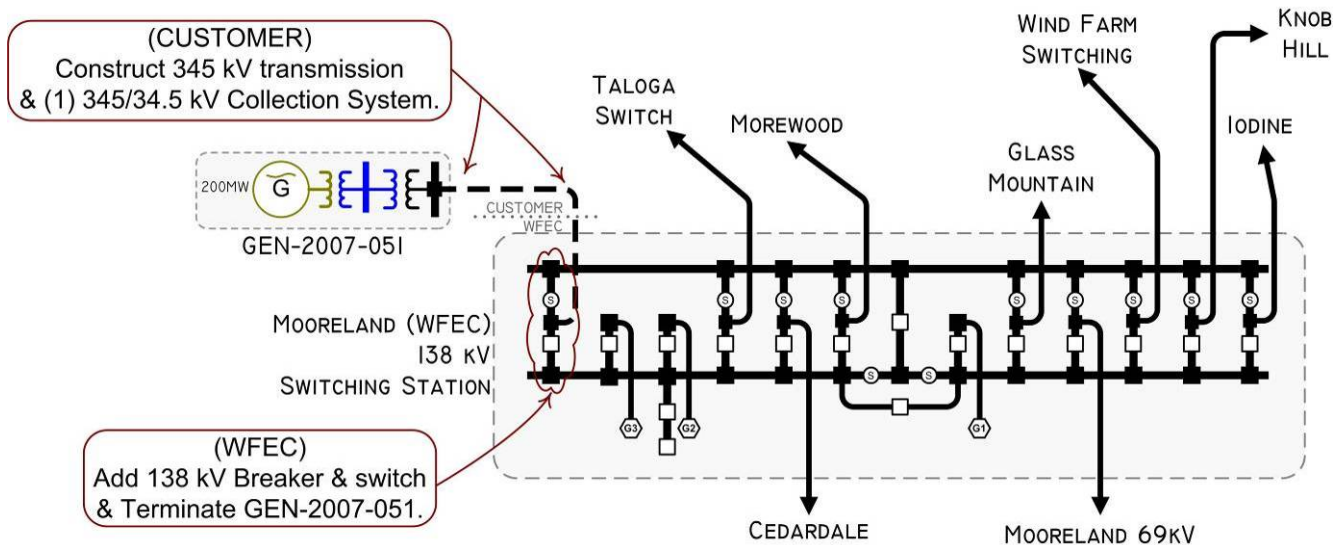
GEN-2007-048



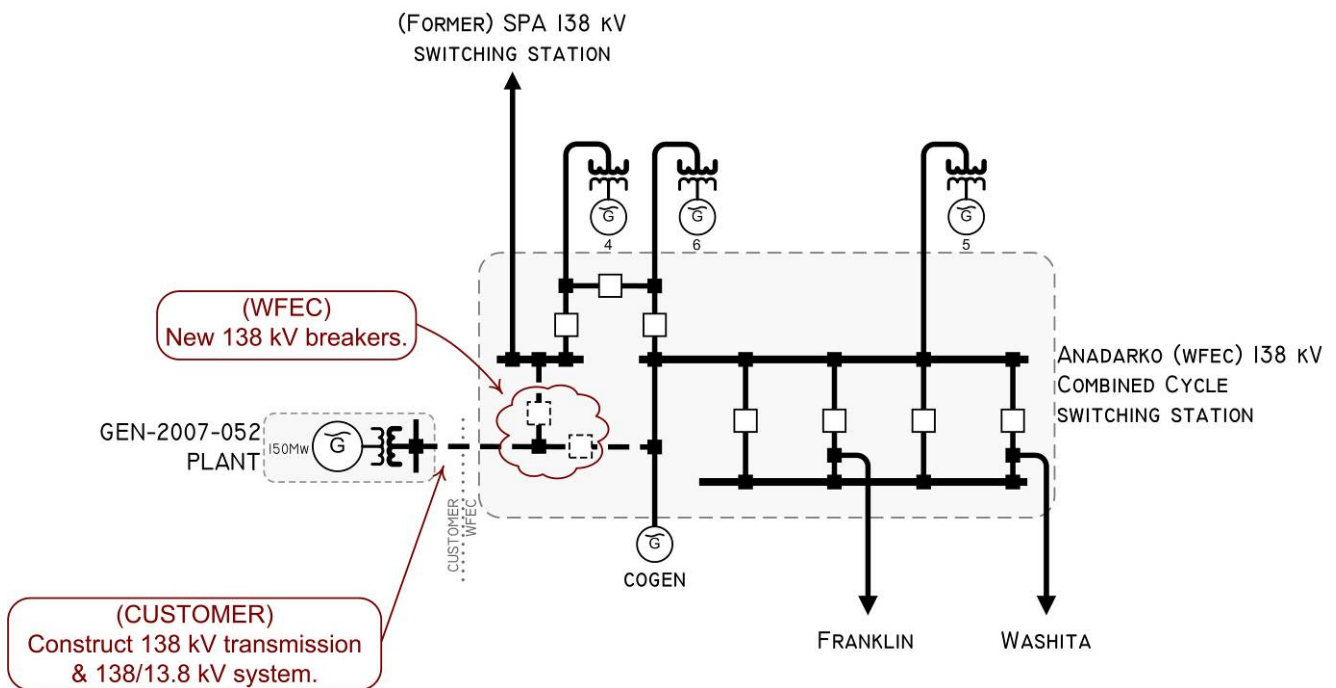
GEN-2007-050



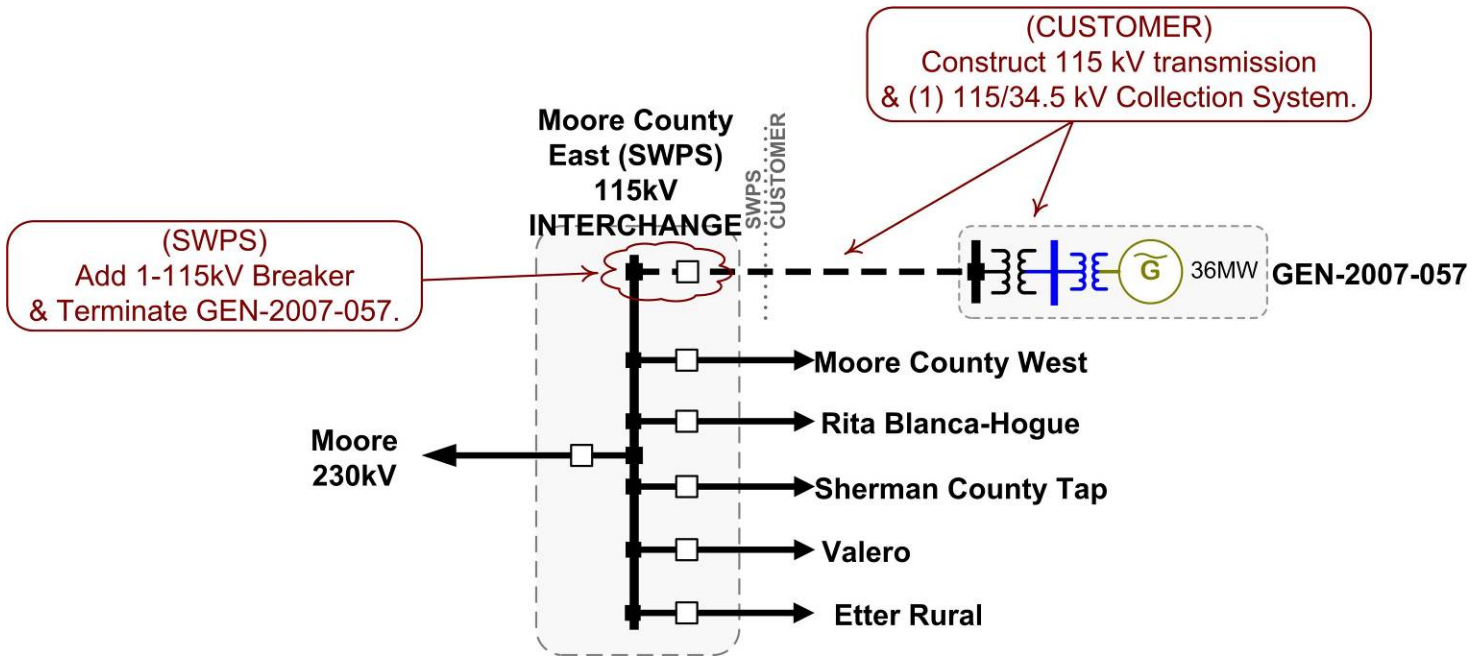
GEN-2007-051



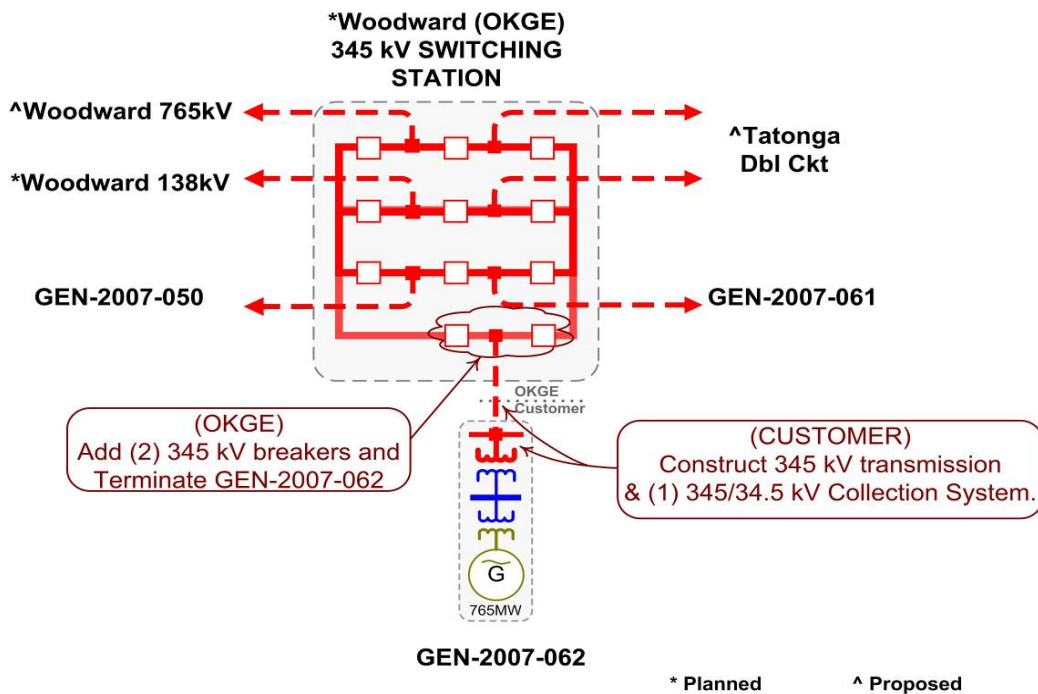
GEN-2007-052



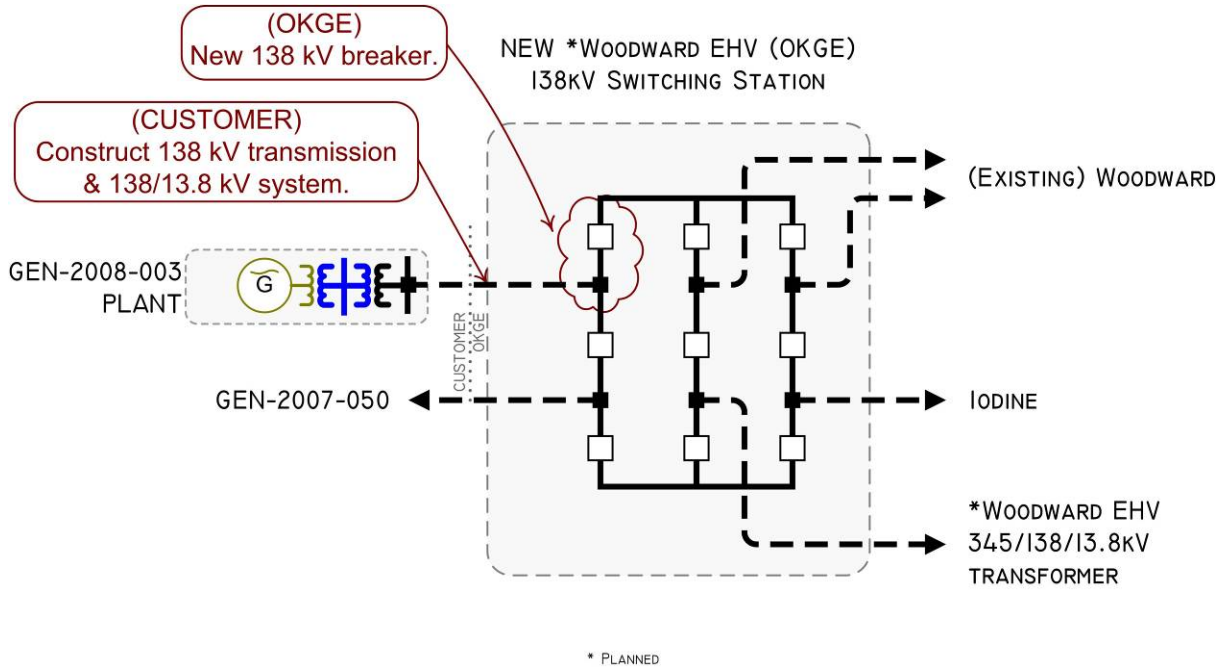
GEN-2007-057



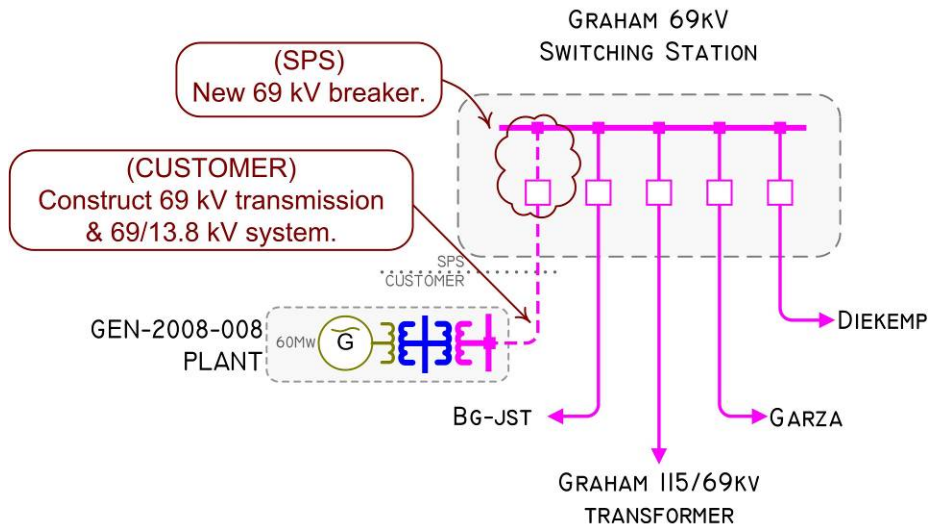
GEN-2007-062



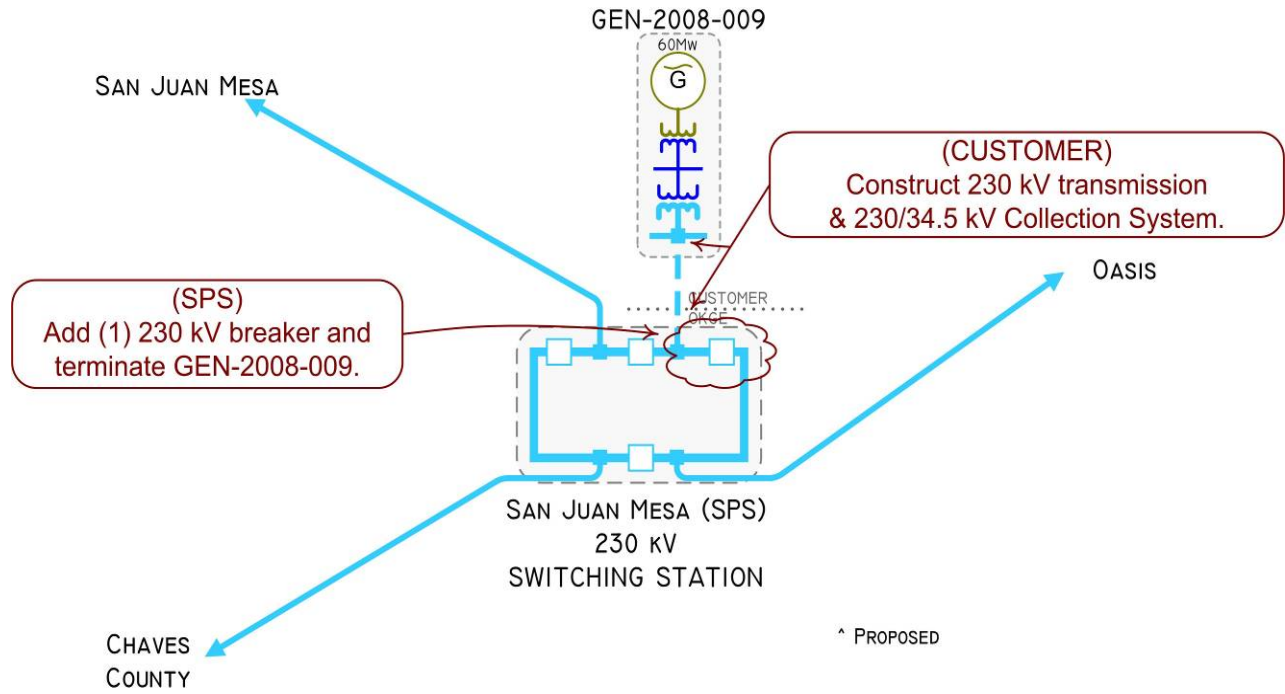
GEN-2008-003



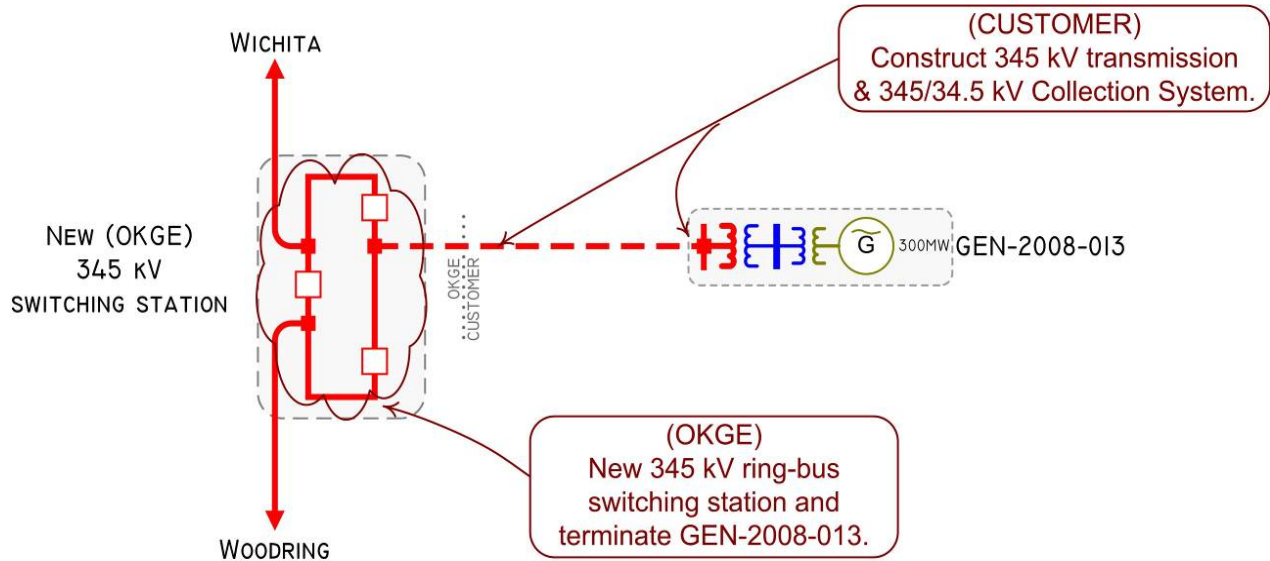
GEN-2008-008



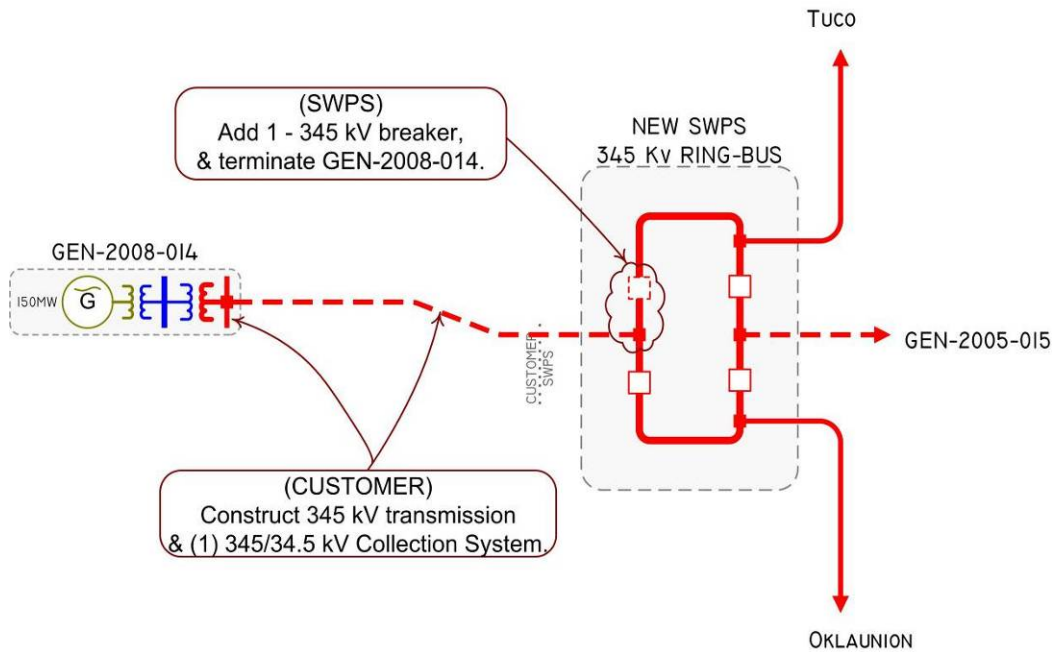
GEN-2008-009



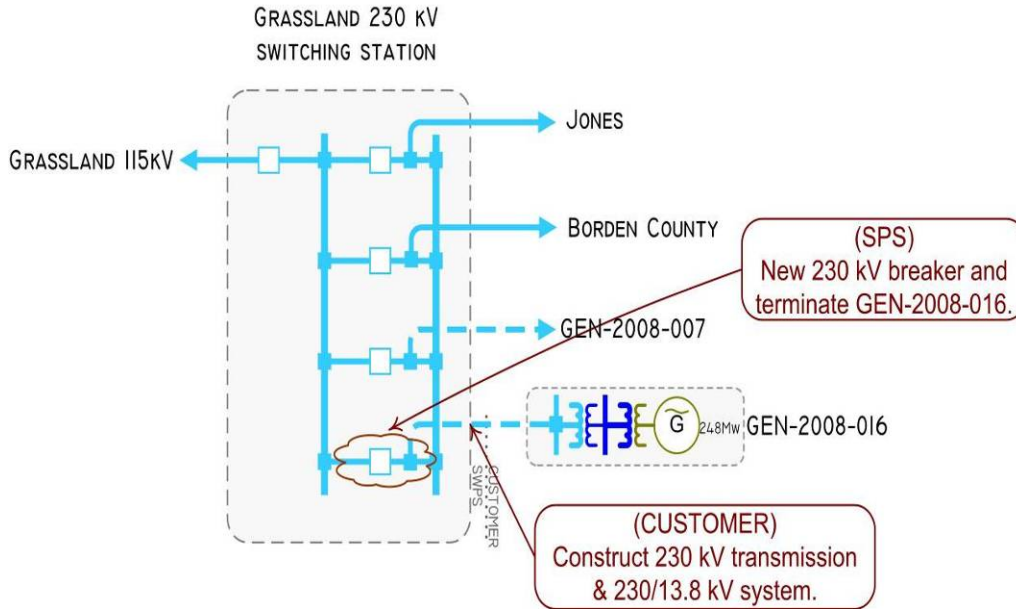
GEN-2008-013



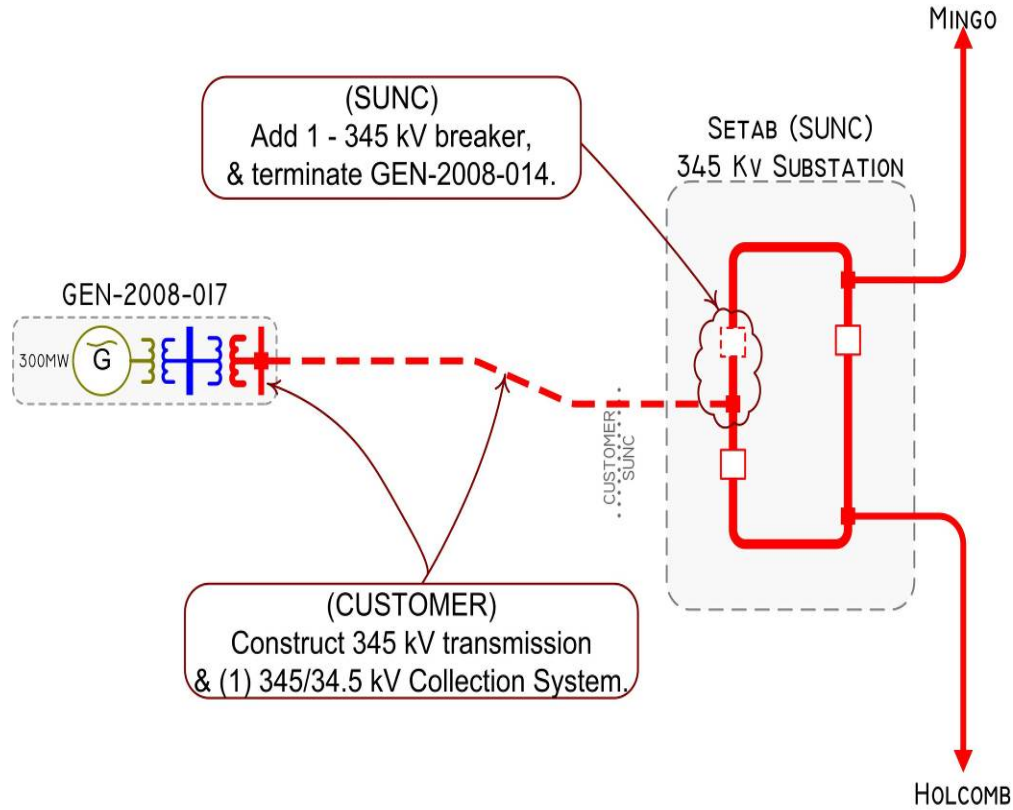
GEN-2008-014



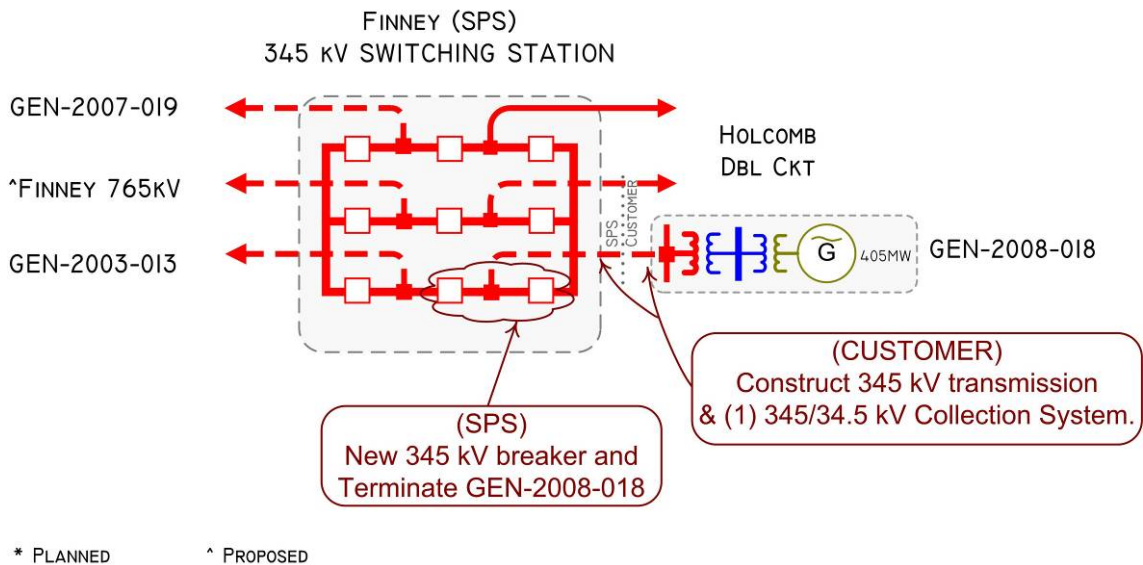
GEN-2008-016



GEN-2008-017



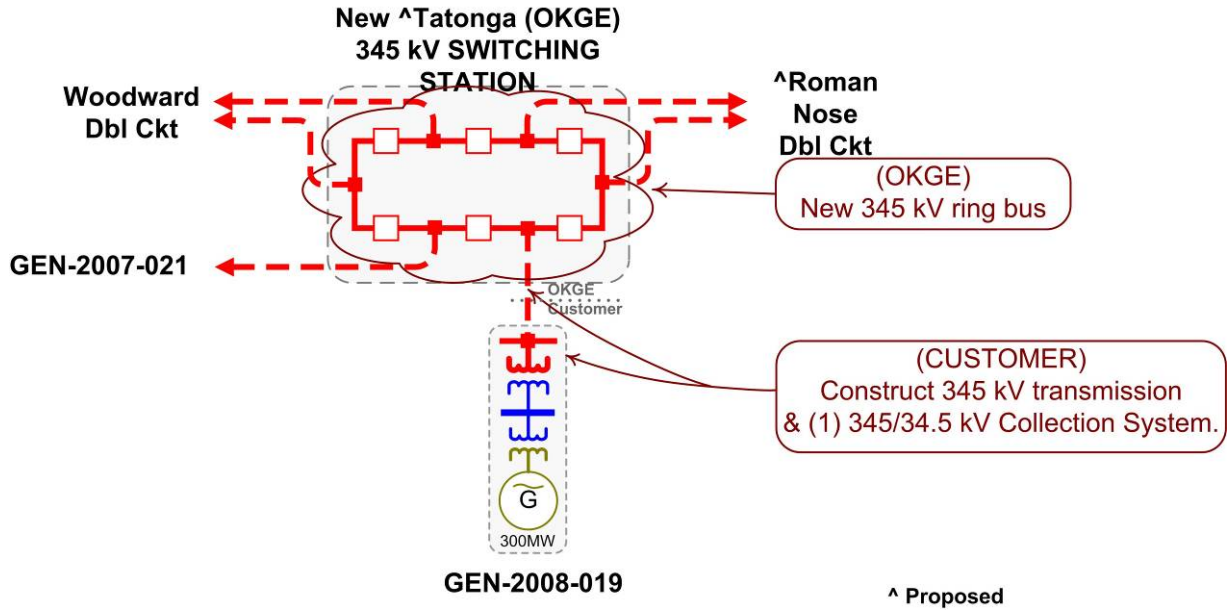
GEN-2008-018



* PLANNED

^ PROPOSED

GEN-2008-019



E: Cost Allocation per Interconnection Request

Appendix E. - Cost Allocation Per Request

(Including Previously Allocated Network Upgrades*)

Interconnection Request	Upgrade Type	Allocated Costs	E + C Costs
GEN-2006-006			
GEN-2006-006 Interconnection Cost		\$5,447,000.00	\$5,447,000.00
See Oonline Diagram			
Spearville (SPEARVL2) 345/230/13.8KV Transformer CKT 2		\$6,400,000.00	\$6,400,000.00
Spearville - Comanche Dbl Ckt 345kV	Priority Project		
Spearville - Knoll - Axtell 345kV	Balanced Portfolio		
Comanche - Woodward Dbl Ckt 345kV	Priority Project		
Medicine Lodge - Wichita Dbl Ckt 345kV	Priority Project		
Comanche - Medicine Lodge Dbl Ckt 345kV	Priority Project		
Tuco - Woodward 345kV	Balanced Portfolio		
	Current Study Total	\$11,847,000.00	
GEN-2007-005			
GEN-2007-005 Interconnection Cost		\$3,925,014.00	\$3,925,014.00
See Oonline Diagram			
Hitchland-Woodward Dbl Ckt 345kV	Priority Project		
Comanche - Woodward Dbl Ckt 345kV	Priority Project		
Comanche - Medicine Lodge Dbl Ckt 345kV	Priority Project		
Finney Switching Station - Holcomb 345KV CKT 2	Assigned to Higher Queued GI		\$6,299,839.00
Assigned to GEN-2006-044; If withdraws will trigger restudy			
Medicine Lodge - Wichita Dbl Ckt 345kV	Priority Project		
Spearville - Knoll - Axtell 345kV	Balanced Portfolio		
Tuco - Woodward 345kV	Balanced Portfolio		
	Current Study Total	\$3,925,014.00	
GEN-2007-021			
GEN-2007-021 Interconnection Cost		\$3,073,000.00	\$3,073,000.00
See Oonline Diagram			

* Current Study Requests' Costs of Previously Allocated Network Upgrades will be determined by a restudy, if necessary.

Interconnection Request	Upgrade Type	Allocated Costs	E + C Costs
Comanche - Woodward Dbl Ckt 345kV	Priority Project		
Comanche - Medicine Lodge Dbl Ckt 345kV	Priority Project		
Medicine Lodge - Wichita Dbl Ckt 345kV	Priority Project		
Tuco - Woodward 345kV	Balanced Portfolio		
Spearville - Knoll - Axtell 345kV	Balanced Portfolio		
Medicine Lodge 345/138kV auto	Priority Project		
		Current Study Total	\$3,073,000.00
<hr/>			
GEN-2007-025			
GEN-2007-025 Interconnection Cost		\$10,732,000.00	\$10,732,000.00
Spearville - Knoll - Axtell 345kV	Balanced Portfolio		
		Current Study Total	\$10,732,000.00
<hr/>			
GEN-2007-032			
GEN-2007-032 Interconnection Cost		\$2,200,000.00	\$2,200,000.00
See Online Diagram			
Clinton Junction - Elk City 138kV Switches		\$150,000.00	\$150,000.00
Medicine Lodge 345/138kV auto	Priority Project		
		Current Study Total	\$2,350,000.00
<hr/>			
GEN-2007-034			
GEN-2007-034 Interconnection Cost		\$12,892,997.00	\$12,892,997.00
See Online Diagram			
Potter 230kV line trap		\$53,551.54	\$75,000.00
Bushland-Potter 230kV line trap		\$53,532.72	\$75,000.00
Tuco - Woodward 345kV	Balanced Portfolio		
Comanche - Woodward Dbl Ckt 345kV	Priority Project		
Hitchland-Woodward Dbl Ckt 345kV	Priority Project		
Comanche - Medicine Lodge Dbl Ckt 345kV	Priority Project		

* Current Study Requests' Costs of Previously Allocated Network Upgrades will be determined by a restudy, if necessary.

Interconnection Request	Upgrade Type	Allocated Costs	E + C Costs
--------------------------------	---------------------	------------------------	--------------------

Medicine Lodge - Wichita Dbl Ckt 345kV	Priority Project		
Spearville - Knoll - Axtell 345kV	Balanced Portfolio		
Medicine Lodge 345/138kV auto	Priority Project		
		Current Study Total	\$13,000,081.26

GEN-2007-038

GEN-2007-038 Interconnection Cost		\$3,663,731.00	\$3,663,731.00
See Online Diagram			
Spearville - Comanche Dbl Ckt 345kV	Priority Project		
Spearville - Knoll - Axtell 345kV	Balanced Portfolio		
Comanche - Woodward Dbl Ckt 345kV	Priority Project		
Comanche - Medicine Lodge Dbl Ckt 345kV	Priority Project		
Medicine Lodge - Wichita Dbl Ckt 345kV	Priority Project		
Tuco - Woodward 345kV	Balanced Portfolio		
		Current Study Total	\$3,663,731.00

GEN-2007-043

GEN-2007-043 Interconnection Cost		\$8,732,000.00	\$8,732,000.00
See Online Diagram			
		Current Study Total	\$8,732,000.00

GEN-2007-044

GEN-2007-044 Interconnection Cost		\$3,073,000.00	\$3,073,000.00
See Online Diagram			
Comanche - Woodward Dbl Ckt 345kV	Priority Project		
Comanche - Medicine Lodge Dbl Ckt 345kV	Priority Project		
Medicine Lodge - Wichita Dbl Ckt 345kV	Priority Project		
Tuco - Woodward 345kV	Balanced Portfolio		
Spearville - Knoll - Axtell 345kV	Balanced Portfolio		
Medicine Lodge 345/138kV auto	Priority Project		

* Current Study Requests' Costs of Previously Allocated Network Upgrades will be determined by a restudy, if necessary.

Interconnection Request

Upgrade Type

Allocated Costs

E + C Costs

	Current Study Total	\$3,073,000.00	
GEN-2007-046			
GEN-2007-046 Interconnection Cost		\$545,411.00	\$545,411.00
See Online Diagram			
Hitchland-Woodward Dbl Ckt 345kV	Priority Project		
Comanche - Woodward Dbl Ckt 345kV	Priority Project		
Comanche - Medicine Lodge Dbl Ckt 345kV	Priority Project		
Finney Switching Station - Holcomb 345KV CKT 2	Assigned to Higher Queued GI		\$6,299,839.00
Assigned to GEN-2006-044; If withdraws will trigger restudy			
Medicine Lodge - Wichita Dbl Ckt 345kV	Priority Project		
Spearville - Knoll - Axtell 345kV	Balanced Portfolio		
Tuco - Woodward 345kV	Balanced Portfolio		
	Current Study Total	\$545,411.00	

GEN-2007-048			
GEN-2007-048 Interconnection Cost		\$3,558,890.00	\$3,558,890.00
See Online Diagram			
Amarillo - Swisher Line Traps		\$77,464.00	\$77,464.00
Hitchland-Woodward Dbl Ckt 345kV	Priority Project		
Tuco - Woodward 345kV	Balanced Portfolio		
Comanche - Woodward Dbl Ckt 345kV	Priority Project		
Comanche - Medicine Lodge Dbl Ckt 345kV	Priority Project		
Spearville - Knoll - Axtell 345kV	Balanced Portfolio		
Medicine Lodge 345/138kV auto	Priority Project		
	Current Study Total	\$3,636,354.00	

GEN-2007-050			
GEN-2007-050 Interconnection Cost		\$1,214,000.00	\$1,214,000.00
See Online Diagram			
Comanche - Woodward Dbl Ckt 345kV	Priority Project		

* Current Study Requests' Costs of Previously Allocated Network Upgrades will be determined by a restudy, if necessary.

Interconnection Request	Upgrade Type	Allocated Costs	E + C Costs
Comanche - Medicine Lodge Dbl Ckt 345kV	Priority Project		
Medicine Lodge - Wichita Dbl Ckt 345kV	Priority Project		
Tuco - Woodward 345kV	Balanced Portfolio		
Spearville - Knoll - Axtell 345kV	Balanced Portfolio		
Medicine Lodge 345/138kV auto	Priority Project		
	Current Study Total	\$1,214,000.00	
GEN-2007-051			
GEN-2007-051 Interconnection Cost		\$2,500,000.00	\$2,500,000.00
Comanche - Woodward Dbl Ckt 345kV	Priority Project		
Comanche - Medicine Lodge Dbl Ckt 345kV	Priority Project		
Medicine Lodge - Wichita Dbl Ckt 345kV	Priority Project		
Tuco - Woodward 345kV	Balanced Portfolio		
Spearville - Knoll - Axtell 345kV	Balanced Portfolio		
Medicine Lodge 345/138kV auto	Priority Project		
	Current Study Total	\$2,500,000.00	
GEN-2007-052			
GEN-2007-052 Interconnection Cost		\$900,000.00	\$900,000.00
	Current Study Total	\$900,000.00	
GEN-2007-057			
GEN-2007-057 Interconnection Cost		\$450,797.00	\$450,797.00
See Oneline Diagram			
Hitchland-Woodward Dbl Ckt 345kV	Priority Project		
Comanche - Woodward Dbl Ckt 345kV	Priority Project		
Comanche - Medicine Lodge Dbl Ckt 345kV	Priority Project		
Medicine Lodge - Wichita Dbl Ckt 345kV	Priority Project		

* Current Study Requests' Costs of Previously Allocated Network Upgrades will be determined by a restudy, if necessary.

Interconnection Request	Upgrade Type	Allocated Costs	E + C Costs
Finney Switching Station - Holcomb 345KV CKT 2 Assigned to GEN-2006-044; If withdraws will trigger restudy	Assigned to Higher Queued GI		\$6,299,839.00
Spearville - Knoll - Axtell 345kV	Balanced Portfolio		
Tuco - Woodward 345kV	Balanced Portfolio		
	Current Study Total	\$450,797.00	
GEN-2007-062			
GEN-2007-062 Interconnection Cost See Online Diagram		\$3,807,000.00	\$3,807,000.00
Comanche - Woodward Dbl Ckt 345kV	Priority Project		
Comanche - Medicine Lodge Dbl Ckt 345kV	Priority Project		
Medicine Lodge - Wichita Dbl Ckt 345kV	Priority Project		
Tuco - Woodward 345kV	Balanced Portfolio		
Spearville - Knoll - Axtell 345kV	Balanced Portfolio		
Medicine Lodge 345/138kV auto	Priority Project		
	Current Study Total	\$3,807,000.00	
GEN-2008-003			
GEN-2008-003 Interconnection Cost		\$1,070,000.00	\$1,070,000.00
Comanche - Woodward Dbl Ckt 345kV	Priority Project		
Comanche - Medicine Lodge Dbl Ckt 345kV	Priority Project		
Medicine Lodge - Wichita Dbl Ckt 345kV	Priority Project		
Tuco - Woodward 345kV	Balanced Portfolio		
Spearville - Knoll - Axtell 345kV	Balanced Portfolio		
Medicine Lodge 345/138kV auto	Priority Project		
	Current Study Total	\$1,070,000.00	
GEN-2008-008			
GEN-2008-008 Interconnection Cost See Online Diagram		\$622,212.00	\$622,212.00

* Current Study Requests' Costs of Previously Allocated Network Upgrades will be determined by a restudy, if necessary.

Interconnection Request	Upgrade Type	Allocated Costs	E + C Costs
Tuco - Woodward 345kV	Balanced Portfolio		
Comanche - Woodward Dbl Ckt 345kV	Priority Project		
Comanche - Medicine Lodge Dbl Ckt 345kV	Priority Project		
Medicine Lodge - Wichita Dbl Ckt 345kV	Priority Project		
Hitchland-Woodward Dbl Ckt 345kV	Priority Project		
Spearville - Knoll - Axtell 345kV	Balanced Portfolio		
Medicine Lodge 345/138kV auto	Priority Project		
	Current Study Total	\$622,212.00	
GEN-2008-009			
GEN-2008-009 Interconnection Cost		\$872,471.00	\$872,471.00
See Online Diagram			
Potter 230kV line trap		\$21,448.46	\$75,000.00
Bushland-Potter 230kV line trap		\$21,467.28	\$75,000.00
Tuco - Woodward 345kV	Balanced Portfolio		
Comanche - Woodward Dbl Ckt 345kV	Priority Project		
Hitchland-Woodward Dbl Ckt 345kV	Priority Project		
Comanche - Medicine Lodge Dbl Ckt 345kV	Priority Project		
Medicine Lodge - Wichita Dbl Ckt 345kV	Priority Project		
Spearville - Knoll - Axtell 345kV	Balanced Portfolio		
Medicine Lodge 345/138kV auto	Priority Project		
	Current Study Total	\$915,386.74	
GEN-2008-013			
GEN-2008-013 Interconnection Cost		\$9,277,000.00	\$9,277,000.00
See Online Diagram			
Tuco - Woodward 345kV	Balanced Portfolio		

* Current Study Requests' Costs of Previously Allocated Network Upgrades will be determined by a restudy, if necessary.

Interconnection Request	Upgrade Type	Allocated Costs	E + C Costs
--------------------------------	---------------------	------------------------	--------------------

Spearville - Knoll - Axtell 345kV	Balanced Portfolio		
Medicine Lodge 345/138kV auto	Priority Project		

Current Study Total	\$9,277,000.00		
----------------------------	-----------------------	--	--

GEN-2008-014

GEN-2008-014 Interconnection Cost		\$1,872,918.00	\$1,872,918.00
-----------------------------------	--	----------------	----------------

See Online Diagram

Tuco - Woodward 345kV	Balanced Portfolio		
Comanche - Woodward Dbl Ckt 345kV	Priority Project		
Comanche - Medicine Lodge Dbl Ckt 345kV	Priority Project		
Medicine Lodge - Wichita Dbl Ckt 345kV	Priority Project		
Spearville - Knoll - Axtell 345kV	Balanced Portfolio		
Hitchland-Woodward Dbl Ckt 345kV	Priority Project		
Medicine Lodge 345/138kV auto	Priority Project		

Current Study Total	\$1,872,918.00		
----------------------------	-----------------------	--	--

GEN-2008-016

GEN-2008-016 Interconnection Cost		\$892,129.00	\$892,129.00
-----------------------------------	--	--------------	--------------

Grassland Interchange 230/115KV Transformer CKT 2		\$3,550,000.00	\$3,550,000.00
Tuco - Woodward 345kV	Balanced Portfolio		
Comanche - Woodward Dbl Ckt 345kV	Priority Project		
Comanche - Medicine Lodge Dbl Ckt 345kV	Priority Project		
Medicine Lodge - Wichita Dbl Ckt 345kV	Priority Project		
Hitchland-Woodward Dbl Ckt 345kV	Priority Project		
Spearville - Knoll - Axtell 345kV	Balanced Portfolio		
Medicine Lodge 345/138kV auto	Priority Project		

Current Study Total	\$4,442,129.00		
----------------------------	-----------------------	--	--

* Current Study Requests' Costs of Previously Allocated Network Upgrades will be determined by a restudy, if necessary.

Interconnection Request**Upgrade Type****Allocated Costs****E + C Costs****GEN-2008-017**

GEN-2008-017 Interconnection Cost		\$1,900,000.00	\$1,900,000.00
-----------------------------------	--	----------------	----------------

See Oonline Diagram

Spearville - Comanche Dbl Ckt 345kV	Priority Project		
-------------------------------------	------------------	--	--

Medicine Lodge - Wichita Dbl Ckt 345kV	Priority Project		
--	------------------	--	--

Comanche - Medicine Lodge Dbl Ckt 345kV	Priority Project		
---	------------------	--	--

Hitchland-Woodward Dbl Ckt 345kV	Priority Project		
----------------------------------	------------------	--	--

Spearville - Knoll - Axtell 345kV	Balanced Portfolio		
-----------------------------------	--------------------	--	--

Current Study Total		\$1,900,000.00	
----------------------------	--	-----------------------	--

GEN-2008-018

GEN-2008-018 Interconnection Cost		\$2,564,167.00	\$2,564,167.00
-----------------------------------	--	----------------	----------------

See Oonline Diagram

Spearville - Comanche Dbl Ckt 345kV	Priority Project		
-------------------------------------	------------------	--	--

Medicine Lodge - Wichita Dbl Ckt 345kV	Priority Project		
--	------------------	--	--

Comanche - Medicine Lodge Dbl Ckt 345kV	Priority Project		
---	------------------	--	--

Spearville - Knoll - Axtell 345kV	Balanced Portfolio		
-----------------------------------	--------------------	--	--

Hitchland-Woodward Dbl Ckt 345kV	Priority Project		
----------------------------------	------------------	--	--

Comanche - Woodward Dbl Ckt 345kV	Priority Project		
-----------------------------------	------------------	--	--

Tuco - Woodward 345kV	Balanced Portfolio		
-----------------------	--------------------	--	--

Current Study Total		\$2,564,167.00	
----------------------------	--	-----------------------	--

GEN-2008-019

GEN-2008-019 Interconnection Cost		\$3,073,000.00	\$3,073,000.00
-----------------------------------	--	----------------	----------------

See Oonline Diagram

Comanche - Woodward Dbl Ckt 345kV	Priority Project		
-----------------------------------	------------------	--	--

Comanche - Medicine Lodge Dbl Ckt 345kV	Priority Project		
---	------------------	--	--

Medicine Lodge - Wichita Dbl Ckt 345kV	Priority Project		
--	------------------	--	--

Tuco - Woodward 345kV	Balanced Portfolio		
-----------------------	--------------------	--	--

* Current Study Requests' Costs of Previously Allocated Network Upgrades will be determined by a restudy, if necessary.

Interconnection Request	Upgrade Type	Allocated Costs	E + C Costs
Spearville - Knoll - Axtell 345kV	Balanced Portfolio		
Medicine Lodge 345/138kV auto	Priority Project		
Current Study Total		\$3,073,000.00	

* Current Study Requests' Costs of Previously Allocated Network Upgrades will be determined by a restudy, if necessary.

F: Cost Allocation per Proposed Network Upgrade

Appendix F. - Cost Allocation Per Upgrade Facility

Upgrade Facility	Allocated Costs	E + C Costs
Amarillo - Swisher Line Traps		\$77,464.00
GEN-2007-048	\$77,464.00	
Total	\$77,464.00	
Bushland-Potter 230kV line trap		\$75,000.00
GEN-2007-034	\$53,532.72	
GEN-2008-009	\$21,467.28	
Total	\$75,000.00	
Clinton Junction - Elk City 138kV Switches		\$150,000.00
GEN-2007-032	\$150,000.00	
Total	\$150,000.00	
GEN-2006-006 Interconnection Cost		\$5,447,000.00
See Online Diagram		
GEN-2006-006	\$5,447,000.00	
Total	\$5,447,000.00	
GEN-2007-005 Interconnection Cost		\$3,925,014.00
See Online Diagram		
GEN-2007-005	\$3,925,014.00	
Total	\$3,925,014.00	
GEN-2007-021 Interconnection Cost		\$3,073,000.00
See Online Diagram		
GEN-2007-021	\$3,073,000.00	
Total	\$3,073,000.00	
GEN-2007-025 Interconnection Cost		\$10,732,000.00
GEN-2007-025	\$10,732,000.00	
Total	\$10,732,000.00	
GEN-2007-032 Interconnection Cost		\$2,200,000.00
See Online Diagram		
GEN-2007-032	\$2,200,000.00	
Total	\$2,200,000.00	
GEN-2007-034 Interconnection Cost		\$12,892,997.00
See Online Diagram		
GEN-2007-034	\$12,892,997.00	

Upgrade Facility	Allocated Costs	E + C Costs
	Total	\$12,892,997.00
GEN-2007-038 Interconnection Cost		\$3,663,731.00
See Online Diagram		
GEN-2007-038	\$3,663,731.00	
	Total	\$3,663,731.00
GEN-2007-043 Interconnection Cost		\$8,732,000.00
See Online Diagram		
GEN-2007-043	\$8,732,000.00	
	Total	\$8,732,000.00
GEN-2007-044 Interconnection Cost		\$3,073,000.00
See Online Diagram		
GEN-2007-044	\$3,073,000.00	
	Total	\$3,073,000.00
GEN-2007-046 Interconnection Cost		\$545,411.00
See Online Diagram		
GEN-2007-046	\$545,411.00	
	Total	\$545,411.00
GEN-2007-048 Interconnection Cost		\$3,558,890.00
See Online Diagram		
GEN-2007-048	\$3,558,890.00	
	Total	\$3,558,890.00
GEN-2007-050 Interconnection Cost		\$1,214,000.00
See Online Diagram		
GEN-2007-050	\$1,214,000.00	
	Total	\$1,214,000.00
GEN-2007-051 Interconnection Cost		\$2,500,000.00
GEN-2007-051	\$2,500,000.00	
	Total	\$2,500,000.00
GEN-2007-052 Interconnection Cost		\$900,000.00
GEN-2007-052	\$900,000.00	
	Total	\$900,000.00
GEN-2007-057 Interconnection Cost		\$450,797.00
See Online Diagram		
GEN-2007-057	\$450,797.00	
	Total	\$450,797.00

Upgrade Facility	Allocated Costs	E + C Costs
GEN-2007-062 Interconnection Cost		\$3,807,000.00
See Online Diagram		
GEN-2007-062	\$3,807,000.00	
Total	\$3,807,000.00	
GEN-2008-003 Interconnection Cost		\$1,070,000.00
GEN-2008-003	\$1,070,000.00	
Total	\$1,070,000.00	
GEN-2008-008 Interconnection Cost		\$622,212.00
See Online Diagram		
GEN-2008-008	\$622,212.00	
Total	\$622,212.00	
GEN-2008-009 Interconnection Cost		\$872,471.00
See Online Diagram		
GEN-2008-009	\$872,471.00	
Total	\$872,471.00	
GEN-2008-013 Interconnection Cost		\$9,277,000.00
See Online Diagram		
GEN-2008-013	\$9,277,000.00	
Total	\$9,277,000.00	
GEN-2008-014 Interconnection Cost		\$1,872,918.00
See Online Diagram		
GEN-2008-014	\$1,872,918.00	
Total	\$1,872,918.00	
GEN-2008-016 Interconnection Cost		\$892,129.00
GEN-2008-016	\$892,129.00	
Total	\$892,129.00	
GEN-2008-017 Interconnection Cost		\$1,900,000.00
See Online Diagram		
GEN-2008-017	\$1,900,000.00	
Total	\$1,900,000.00	
GEN-2008-018 Interconnection Cost		\$2,564,167.00
See Online Diagram		
GEN-2008-018	\$2,564,167.00	
Total	\$2,564,167.00	

Upgrade Facility	Allocated Costs	E + C Costs
GEN-2008-019 Interconnection Cost		\$3,073,000.00
See Online Diagram		
GEN-2008-019	\$3,073,000.00	
Total	\$3,073,000.00	
Grassland Interchange 230/115KV Transformer CKT 2		\$3,550,000.00
GEN-2008-016	\$3,550,000.00	
Total	\$3,550,000.00	
Potter 230kV line trap		\$75,000.00
GEN-2007-034	\$53,551.54	
GEN-2008-009	\$21,448.46	
Total	\$75,000.00	
Spearville (SPEARVL2) 345/230/13.8KV Transformer CKT 2		\$6,400,000.00
GEN-2006-006	\$6,400,000.00	
Total	\$6,400,000.00	
Current Study Upgrades Total		\$99,186,201.00

G: ACCC analysis (constraints for mitigation)

Group Dispatch Scenario	SEASON	SOURCE	DIRECTION	MONTCOMMONNAME	RATEA	RATEB	TDF	LOADING%	CONTNAME
3	10G	G06_006	FROM->TO	SPEARVILLE (SPEARVL) 345/230/13.8KV TRANSFORMER CKT 1	336	336	0.94232	135.7317	MULLERGREN - SPEARVILLE 230KV CKT 1
3	10G	G06_006	FROM->TO	SPEARVILLE (SPEARVL) 345/230/13.8KV TRANSFORMER CKT 1	336	336	0.82161	105.3115	CIRCLE - MULLERGREN 230KV CKT 1
3	10G	G06_006	FROM->TO	SPEARVILLE (SPEARVL) 345/230/13.8KV TRANSFORMER CKT 1	336	336	0.82161	101.929	CIRCLE - MULLERGREN 230KV CKT 1
3	10G	G06_006	FROM->TO	SPEARVILLE (SPEARVL) 345/230/13.8KV TRANSFORMER CKT 1	336	336	0.80682	103.2503	G08-79T 115.00 - JUDSON LARGE 115KV CKT 1
3	10G	G06_006	FROM->TO	SPEARVILLE (SPEARVL) 345/230/13.8KV TRANSFORMER CKT 1	336	336	0.80682	103.2332	CUDAHY - G08-79T 115.00 115KV CKT 1
3	10G	G06_006	FROM->TO	SPEARVILLE (SPEARVL) 345/230/13.8KV TRANSFORMER CKT 1	336	336	0.8063	102.0673	MEDICINE LODGE 138/115KV TRANSFORMER CKT 1
3	10G	G06_006	FROM->TO	SPEARVILLE (SPEARVL) 345/230/13.8KV TRANSFORMER CKT 1	336	336	0.79442	100.9812	GEN560273 1-G05-12 0.6900
3	10G	G06_006	FROM->TO	SPEARVILLE (SPEARVL) 345/230/13.8KV TRANSFORMER CKT 1	336	336	0.76455	105.6014	GRAY CO 345.00 - HOLCOMB 345KV CKT 1
3	10G	G06_006	FROM->TO	SPEARVILLE (SPEARVL) 345/230/13.8KV TRANSFORMER CKT 1	336	336	0.76455	101.4578	GRAY CO 345.00 - HOLCOMB 345KV CKT 1
3	10G	G06_006	FROM->TO	SPEARVILLE (SPEARVL) 345/230/13.8KV TRANSFORMER CKT 1	336	336	0.76455	100.4576	GRAY CO 345.00 - SPEARVILLE 345KV CKT 1
3	10G	G06_006	FROM->TO	SPEARVILLE (SPEARVL) 345/230/13.8KV TRANSFORMER CKT 1	336	336	0.76455	104.2472	GRAY CO 345.00 - SPEARVILLE 345KV CKT 1
3	10G	G06_006	TO->FROM	MULLERGREN - SPEARVILLE 230KV CKT 1	330.3	355.3	0.75515	109.3115	SPEARVILLE (SPEARVL) 345/230/13.8KV TRANSFORMER CKT 1
7	10G	G07_032	TO->FROM	CLINTON JUNCTION - G07-32T 138.00 138KV CKT 1	143	143	1	104.9649	CLINTON - G07-32T 138.00 138KV CKT 1
7	10G	G07_032	TO->FROM	CLINTON JUNCTION - G07-32T 138.00 138KV CKT 1	143	143	1	101.1202	HYDRO - WEATHERFORD 138KV CKT 1
7	10G	G07_032	TO->FROM	CLINTON - G07-32T 138.00 138KV CKT 1	143	143	1	105.202	CLINTON JUNCTION - G07-32T 138.00 138KV CKT 1
7	10G	G07_032	TO->FROM	CLINTON JUNCTION - G07-32T 138.00 138KV CKT 1	143	143	1	103.5772	CLINTON - WEATHERFORD 138KV CKT 1
5	10G	G07_034	FROM->TO	G06-39T 230.00 - POTTER COUNTY INTERCHANGE 230KV CKT 1	319	351	0.25756	103.0404	BUSHLAND INTERCHANGE - POTTER COUNTY INTERCHANGE 230KV CKT 1
5	10G	G07_034	FROM->TO	G06-39T 230.00 - POTTER COUNTY INTERCHANGE 230KV CKT 1	319	351	0.25608	102.4145	BUSHLAND INTERCHANGE - POTTER COUNTY INTERCHANGE 230KV CKT 1
5	10G	G07_034	FROM->TO	BUSHLAND INTERCHANGE - POTTER COUNTY INTERCHANGE 230KV CKT 1	319	351	0.24846	108.6611	G06-39T 230.00 - POTTER COUNTY INTERCHANGE 230KV CKT 1
5	10G	G07_034	FROM->TO	BUSHLAND INTERCHANGE - POTTER COUNTY INTERCHANGE 230KV CKT 1	319	351	0.24733	108.1734	G06-39T 230.00 - POTTER COUNTY INTERCHANGE 230KV CKT 1
5	10G	G08_009	FROM->TO	G06-39T 230.00 - POTTER COUNTY INTERCHANGE 230KV CKT 1	319	351	0.25798	103.0404	BUSHLAND INTERCHANGE - POTTER COUNTY INTERCHANGE 230KV CKT 1
5	10G	G08_009	FROM->TO	G06-39T 230.00 - POTTER COUNTY INTERCHANGE 230KV CKT 1	319	351	0.25649	102.4145	BUSHLAND INTERCHANGE - POTTER COUNTY INTERCHANGE 230KV CKT 1
5	10G	G08_009	FROM->TO	BUSHLAND INTERCHANGE - POTTER COUNTY INTERCHANGE 230KV CKT 1	319	351	0.24895	108.6611	G06-39T 230.00 - POTTER COUNTY INTERCHANGE 230KV CKT 1
5	10G	G08_009	FROM->TO	BUSHLAND INTERCHANGE - POTTER COUNTY INTERCHANGE 230KV CKT 1	319	351	0.24781	108.1734	G06-39T 230.00 - POTTER COUNTY INTERCHANGE 230KV CKT 1
6	10G	G08_016	FROM->TO	GRASSLAND INTERCHANGE 230/115KV TRANSFORMER CKT 1	100	115	0.6632	105.9224	GRASSLAND INTERCHANGE - Jones Station Bus#2 230KV CKT 1

H: ACCC Analysis (constraints >3% TDF)

Group Dispatch Scenario	SEASON	SOURCE	DIRECTION	MONTCOMMONNAME	RATEA	RATEB	TDF	LOADING%	CONTNAME
5	10G	G06_006	TO->FROM	FPL SWITCH - WOODWARD 138KV CKT 1	133	153	0.05539	108.529	PP-004
2	10G	G06_006	TO->FROM	FPL SWITCH - WOODWARD 138KV CKT 1	133	153	0.05537	138.522	PP-004
6	10G	G06_006	TO->FROM	FPL SWITCH - WOODWARD 138KV CKT 1	133	153	0.0549	100.7719	PP-004
3	10G	G06_006	TO->FROM	FPL SWITCH - WOODWARD 138KV CKT 1	133	153	0.0548	117.4055	PP-004
5	10G	G06_006	TO->FROM	FPL SWITCH - WOODWARD 138KV CKT 1	133	153	0.05477	110.271	PP-004
2	10G	G06_006	TO->FROM	FPL SWITCH - WOODWARD 138KV CKT 1	133	153	0.05474	139.0566	PP-004
5	10G	G06_006	TO->FROM	FPL SWITCH - WOODWARD 138KV CKT 1	133	153	0.05461	102.8339	PP-005
2	10G	G06_006	TO->FROM	FPL SWITCH - WOODWARD 138KV CKT 1	133	153	0.05458	132.1268	PP-005
3	10G	G06_006	TO->FROM	FPL SWITCH - WOODWARD 138KV CKT 1	133	153	0.05401	118.0589	PP-005
5	10G	G06_006	TO->FROM	FPL SWITCH - WOODWARD 138KV CKT 1	133	153	0.05399	104.5751	PP-005
2	10G	G06_006	TO->FROM	FPL SWITCH - WOODWARD 138KV CKT 1	133	153	0.05396	132.677	PP-005
5	10G	G06_006	TO->FROM	FPL SWITCH - WOODWARD 138KV CKT 1	133	153	0.05335	107.484	TATONGA EHV 345.00 - WWRDEHV7 345.00 345KV CKT 1
5	10G	G06_006	TO->FROM	FPL SWITCH - WOODWARD 138KV CKT 1	133	153	0.05335	120.5301	NORTHWEST - TATONGA EHV 345.00 345KV CKT 1
2	10G	G06_006	TO->FROM	FPL SWITCH - WOODWARD 138KV CKT 1	133	153	0.05333	138.0116	TATONGA EHV 345.00 - WWRDEHV7 345.00 345KV CKT 1
2	10G	G06_006	TO->FROM	FPL SWITCH - WOODWARD 138KV CKT 1	133	153	0.05333	150.9249	NORTHWEST - TATONGA EHV 345.00 345KV CKT 1
6	10G	G06_006	TO->FROM	FPL SWITCH - WOODWARD 138KV CKT 1	133	153	0.05279	112.5493	NORTHWEST - TATONGA EHV 345.00 345KV CKT 1
4	10G	G06_006	TO->FROM	FPL SWITCH - WOODWARD 138KV CKT 1	133	153	0.05271	110.2918	NORTHWEST - TATONGA EHV 345.00 345KV CKT 1
3	10G	G06_006	TO->FROM	FPL SWITCH - WOODWARD 138KV CKT 1	133	153	0.05269	131.1963	NORTHWEST - TATONGA EHV 345.00 345KV CKT 1
3	10G	G06_006	TO->FROM	FPL SWITCH - WOODWARD 138KV CKT 1	133	153	0.05269	118.1452	TATONGA EHV 345.00 - WWRDEHV7 345.00 345KV CKT 1
5	10G	G06_006	TO->FROM	FPL SWITCH - WOODWARD 138KV CKT 1	133	153	0.05267	122.3248	NORTHWEST - TATONGA EHV 345.00 345KV CKT 1
5	10G	G06_006	TO->FROM	FPL SWITCH - WOODWARD 138KV CKT 1	133	153	0.05267	109.3327	TATONGA EHV 345.00 - WWRDEHV7 345.00 345KV CKT 1
2	10G	G06_006	TO->FROM	FPL SWITCH - WOODWARD 138KV CKT 1	133	153	0.05266	151.4358	NORTHWEST - TATONGA EHV 345.00 345KV CKT 1
2	10G	G06_006	TO->FROM	FPL SWITCH - WOODWARD 138KV CKT 1	133	153	0.05266	138.5764	TATONGA EHV 345.00 - WWRDEHV7 345.00 345KV CKT 1
2	10G	G06_006	TO->FROM	FPL SWITCH - WOODWARD 138KV CKT 1	133	153	0.04317	121.8739	DEWEY - IODINE 138KV CKT 1
2	10G	G06_006	TO->FROM	FPL SWITCH - WOODWARD 138KV CKT 1	133	153	0.04317	123.0314	IODINE - WWRDEHV4 138.00 138KV CKT 1
5	10G	G06_006	FROM->TO	HARPER - MILAN TAP 138KV CKT 1	95.6	95.6	0.04296	111.8206	PP-005
2	10G	G06_006	FROM->TO	HARPER - MILAN TAP 138KV CKT 1	95.6	95.6	0.04293	133.1428	PP-005
2	10G	G06_006	TO->FROM	CLEARWATER - MILAN TAP 138KV CKT 1	110	110	0.04293	106.8548	PP-005
3	10G	G06_006	FROM->TO	HARPER - MILAN TAP 138KV CKT 1	95.6	95.6	0.04286	145.745	PP-005
3	10G	G06_006	TO->FROM	CLEARWATER - MILAN TAP 138KV CKT 1	110	110	0.04286	117.847	PP-005
3	10G	G06_006	FROM->TO	CLEARWATER - GILL ENERGY CENTER WEST 138KV CKT 1	110	110	0.04286	107.3164	PP-005
1	10G	G06_006	FROM->TO	HARPER - MILAN TAP 138KV CKT 1	95.6	95.6	0.04286	134.1493	PP-005
1	10G	G06_006	TO->FROM	CLEARWATER - MILAN TAP 138KV CKT 1	110	110	0.04286	107.7224	PP-005
5	10G	G06_006	FROM->TO	HARPER - MILAN TAP 138KV CKT 1	95.6	95.6	0.04283	112.455	PP-005
2	10G	G06_006	FROM->TO	HARPER - MILAN TAP 138KV CKT 1	95.6	95.6	0.0428	133.3466	PP-005
2	10G	G06_006	TO->FROM	CLEARWATER - MILAN TAP 138KV CKT 1	110	110	0.0428	107.0316	PP-005
3	10G	G06_006	TO->FROM	FPL SWITCH - WOODWARD 138KV CKT 1	133	153	0.04262	108.502	IODINE - WWRDEHV4 138.00 138KV CKT 1
3	10G	G06_006	TO->FROM	FPL SWITCH - WOODWARD 138KV CKT 1	133	153	0.04262	107.3417	DEWEY - IODINE 138KV CKT 1
2	10G	G06_006	TO->FROM	FPL SWITCH - WOODWARD 138KV CKT 1	133	153	0.0426	123.6773	IODINE - WWRDEHV4 138.00 138KV CKT 1
2	10G	G06_006	TO->FROM	FPL SWITCH - WOODWARD 138KV CKT 1	133	153	0.0426	122.5298	DEWEY - IODINE 138KV CKT 1
5	10G	G06_006	TO->FROM	FPL SWITCH - WOODWARD 138KV CKT 1	133	153	0.04119	103.6646	WOODWARD (WOODWRD2) 138/69/13.2KV TRANSFORMER CKT 1
2	10G	G06_006	TO->FROM	FPL SWITCH - WOODWARD 138KV CKT 1	133	153	0.04117	129.6591	WOODWARD (WOODWRD2) 138/69/13.2KV TRANSFORMER CKT 1
2	10G	G06_006	TO->FROM	FPL SWITCH - WOODWARD 138KV CKT 1	133	153	0.04117	116.5829	WOODWARD - WOODWARD 69KV CKT 1
6	10G	G06_006	TO->FROM	FPL SWITCH - WOODWARD 138KV CKT 1	133	153	0.0407	100.1109	WOODWARD (WOODWRD2) 138/69/13.2KV TRANSFORMER CKT 1
3	10G	G06_006	TO->FROM	FPL SWITCH - WOODWARD 138KV CKT 1	133	153	0.04063	103.0948	WOODWARD - WOODWARD 69KV CKT 1
3	10G	G06_006	TO->FROM	FPL SWITCH - WOODWARD 138KV CKT 1	133	153	0.04063	116.1487	WOODWARD (WOODWRD2) 138/69/13.2KV TRANSFORMER CKT 1
5	10G	G06_006	TO->FROM	FPL SWITCH - WOODWARD 138KV CKT 1	133	153	0.04062	105.493	WOODWARD (WOODWRD2) 138/69/13.2KV TRANSFORMER CKT 1
2	10G	G06_006	TO->FROM	FPL SWITCH - WOODWARD 138KV CKT 1	133	153	0.04061	130.3005	WOODWARD (WOODWRD2) 138/69/13.2KV TRANSFORMER CKT 1
2	10G	G06_006	TO->FROM	FPL SWITCH - WOODWARD 138KV CKT 1	133	153	0.04061	117.2225	WOODWARD - WOODWARD 69KV CKT 1
2	10G	G06_006	TO->FROM	FPL SWITCH - WOODWARD 138KV CKT 1	133	153	0.04056	100.4631	MIDPT_BUS 7 345.00 - WWRDEHV7 345.00 345KV CKT 1
2	10G	G06_006	TO->FROM	FPL SWITCH - WOODWARD 138KV CKT 1	133	153	0.04046	109.2019	MED-LDG5 345.00 - WICHITA 345KV CKT 1
2	10G	G06_006	TO->FROM	FPL SWITCH - WOODWARD 138KV CKT 1	133	153	0.04046	109.2019	MED-LDG5 345.00 - WICHITA 345KV CKT 2
2	10G	G06_006	TO->FROM	FPL SWITCH - WOODWARD 138KV CKT 1	133	153	0.0401	107.0002	KNOLL345 345.00 - SPEARVILLE 345KV CKT 1
2	10G	G06_006	TO->FROM	FPL SWITCH - WOODWARD 138KV CKT 1	133	153	0.03996	105.0563	G07-25T 345.00 - WICHITA 345KV CKT 1
2	10G	G06_006	TO->FROM	FPL SWITCH - WOODWARD 138KV CKT 1	133	153	0.03996	106.7537	G07-25T 345.00 - G08-13T 345.00 345KV CKT 1
2	10G	G06_006	TO->FROM	FPL SWITCH - WOODWARD 138KV CKT 1	133	153	0.03996	108.753	G08-13T 345.00 - WOODRING 345KV CKT 1

Group Dispatch Scenario	SEASON	SOURCE	DIRECTION	MONTCOMMONNAME	RATEA	RATEB	TDF	LOADING%	CONTNAME
2	10G	G06_006	TO->FROM	FPL SWITCH - WOODWARD 138KV CKT 1	133	153	0.03994	109.7732	MED-LDG5 345.00 - WICHITA 345KV CKT 2
2	10G	G06_006	TO->FROM	FPL SWITCH - WOODWARD 138KV CKT 1	133	153	0.03994	109.7732	MED-LDG5 345.00 - WICHITA 345KV CKT 1
2	10G	G06_006	TO->FROM	FPL SWITCH - WOODWARD 138KV CKT 1	133	153	0.03977	101.3058	MIDPT_BUS 7 345.00 - WWRDEHV7 345.00 345KV CKT 1
2	10G	G06_006	TO->FROM	FPL SWITCH - WOODWARD 138KV CKT 1	133	153	0.03977	100.617	MIDPT_BUS 7 345.00 - TUCO INTERCHANGE 345KV CKT 1
2	10G	G06_006	TO->FROM	FPL SWITCH - WOODWARD 138KV CKT 1	133	153	0.03958	107.563	KNOLL345 345.00 - SPEARVILLE 345KV CKT 1
2	10G	G06_006	TO->FROM	FPL SWITCH - WOODWARD 138KV CKT 1	133	153	0.03943	105.6361	G07-25T 345.00 - WICHITA 345KV CKT 1
2	10G	G06_006	TO->FROM	FPL SWITCH - WOODWARD 138KV CKT 1	133	153	0.03943	109.3337	G08-13T 345.00 - WOODRING 345KV CKT 1
2	10G	G06_006	TO->FROM	FPL SWITCH - WOODWARD 138KV CKT 1	133	153	0.03943	107.3404	G07-25T 345.00 - G08-13T 345.00 345KV CKT 1
2	10G	G06_006	TO->FROM	FPL SWITCH - WOODWARD 138KV CKT 1	133	153	0.03906	107.8172	COMANCH5 345.00 - MED-LDG5 345.00 345KV CKT 2
2	10G	G06_006	TO->FROM	FPL SWITCH - WOODWARD 138KV CKT 1	133	153	0.03906	107.8172	COMANCH5 345.00 - MED-LDG5 345.00 345KV CKT 1
2	10G	G06_006	TO->FROM	FPL SWITCH - WOODWARD 138KV CKT 1	133	153	0.03862	105.1984	AXTELL - KNOLL345 345.00 345KV CKT 1
2	10G	G06_006	TO->FROM	FPL SWITCH - WOODWARD 138KV CKT 1	133	153	0.03854	108.388	COMANCH5 345.00 - MED-LDG5 345.00 345KV CKT 2
2	10G	G06_006	TO->FROM	FPL SWITCH - WOODWARD 138KV CKT 1	133	153	0.03854	108.388	COMANCH5 345.00 - MED-LDG5 345.00 345KV CKT 1
2	10G	G06_006	TO->FROM	FPL SWITCH - WOODWARD 138KV CKT 1	133	153	0.03847	104.6931	MINGO - RED WILLOW 345KV CKT 1
2	10G	G06_006	TO->FROM	FPL SWITCH - WOODWARD 138KV CKT 1	133	153	0.038	105.7432	MINGO - SETAB 345KV CKT 1
2	10G	G06_006	TO->FROM	FPL SWITCH - WOODWARD 138KV CKT 1	133	153	0.03793	105.2578	MINGO - RED WILLOW 345KV CKT 1
2	10G	G06_006	TO->FROM	FPL SWITCH - WOODWARD 138KV CKT 1	133	153	0.03747	106.2933	MINGO - SETAB 345KV CKT 1
5	10G	G06_006	TO->FROM	FPL SWITCH - WOODWARD 138KV CKT 1	133	153	0.03734	102.2629	SPP-SWPS-03B
5	10G	G06_006	TO->FROM	FPL SWITCH - WOODWARD 138KV CKT 1	133	153	0.03734	105.3803	LAWTON EASTSIDE - OKLAUNION 345KV CKT 1
2	10G	G06_006	TO->FROM	FPL SWITCH - WOODWARD 138KV CKT 1	133	153	0.03733	121.5565	SPP-SWPS-03B
2	10G	G06_006	TO->FROM	FPL SWITCH - WOODWARD 138KV CKT 1	133	153	0.03733	113.2595	G05-15T 345.00 - TUCO INTERCHANGE 345KV CKT 1
2	10G	G06_006	TO->FROM	FPL SWITCH - WOODWARD 138KV CKT 1	133	153	0.03733	126.1891	LAWTON EASTSIDE - OKLAUNION 345KV CKT 1
2	10G	G06_006	TO->FROM	FPL SWITCH - WOODWARD 138KV CKT 1	133	153	0.03733	116.1673	G05-15T 345.00 - OKLAUNION 345KV CKT 1
5	10G	G06_006	TO->FROM	FPL SWITCH - WOODWARD 138KV CKT 1	133	153	0.03732	112.6557	ELK CITY 230KV (ELKCTY-6) 230/138/13.8KV TRANSFORMER CKT 1
5	10G	G06_006	TO->FROM	FPL SWITCH - WOODWARD 138KV CKT 1	133	153	0.03732	112.6639	BECKHAM CO 230.00 - ELK CITY 230KV 230KV CKT 1
5	10G	G06_006	TO->FROM	FPL SWITCH - WOODWARD 138KV CKT 1	133	153	0.03732	101.6188	BECKHAM CO 230.00 - STATELINE INTERCHANGE 230KV CKT 1
5	10G	G06_006	TO->FROM	FPL SWITCH - WOODWARD 138KV CKT 1	133	153	0.03732	101.6593	GRAPEVINE INTERCHANGE - STATELINE INTERCHANGE 230KV CKT 1
2	10G	G06_006	TO->FROM	FPL SWITCH - WOODWARD 138KV CKT 1	133	153	0.03731	105.1758	FARGO JCT - WOODWARD 69KV CKT 1
2	10G	G06_006	TO->FROM	FPL SWITCH - WOODWARD 138KV CKT 1	133	153	0.03731	120.6768	BECKHAM CO 230.00 - STATELINE INTERCHANGE 230KV CKT 1
2	10G	G06_006	TO->FROM	FPL SWITCH - WOODWARD 138KV CKT 1	133	153	0.03731	120.7068	GRAPEVINE INTERCHANGE - STATELINE INTERCHANGE 230KV CKT 1
2	10G	G06_006	TO->FROM	FPL SWITCH - WOODWARD 138KV CKT 1	133	153	0.03731	131.4615	ELK CITY 230KV (ELKCTY-6) 230/138/13.8KV TRANSFORMER CKT 1
2	10G	G06_006	TO->FROM	FPL SWITCH - WOODWARD 138KV CKT 1	133	153	0.03731	131.4643	BECKHAM CO 230.00 - ELK CITY 230KV 230KV CKT 1
2	10G	G06_006	TO->FROM	FPL SWITCH - WOODWARD 138KV CKT 1	133	153	0.03719	105.2674	CIMARRON - NORTHWEST 345KV CKT 1
3	10G	G06_006	TO->FROM	FPL SWITCH - WOODWARD 138KV CKT 1	133	153	0.03715	109.9459	BECKHAM CO 230.00 - ELK CITY 230KV 230KV CKT 1
3	10G	G06_006	TO->FROM	FPL SWITCH - WOODWARD 138KV CKT 1	133	153	0.03715	109.9407	ELK CITY 230KV (ELKCTY-6) 230/138/13.8KV TRANSFORMER CKT 1
5	10G	G06_006	TO->FROM	FPL SWITCH - WOODWARD 138KV CKT 1	133	153	0.03714	102.9974	SPP-SWPS-03B
2	10G	G06_006	TO->FROM	FPL SWITCH - WOODWARD 138KV CKT 1	133	153	0.03712	121.8661	SPP-SWPS-03B
5	10G	G06_006	TO->FROM	FPL SWITCH - WOODWARD 138KV CKT 1	133	153	0.03711	102.4097	BECKHAM CO 230.00 - STATELINE INTERCHANGE 230KV CKT 1
5	10G	G06_006	TO->FROM	FPL SWITCH - WOODWARD 138KV CKT 1	133	153	0.03711	102.4427	GRAPEVINE INTERCHANGE - STATELINE INTERCHANGE 230KV CKT 1
5	10G	G06_006	TO->FROM	FPL SWITCH - WOODWARD 138KV CKT 1	133	153	0.03711	113.4768	ELK CITY 230KV (ELKCTY-6) 230/138/13.8KV TRANSFORMER CKT 1
5	10G	G06_006	TO->FROM	FPL SWITCH - WOODWARD 138KV CKT 1	133	153	0.03711	113.4847	BECKHAM CO 230.00 - ELK CITY 230KV 230KV CKT 1
2	10G	G06_006	TO->FROM	FPL SWITCH - WOODWARD 138KV CKT 1	133	153	0.0371	120.9478	BECKHAM CO 230.00 - STATELINE INTERCHANGE 230KV CKT 1
2	10G	G06_006	TO->FROM	FPL SWITCH - WOODWARD 138KV CKT 1	133	153	0.0371	120.9754	GRAPEVINE INTERCHANGE - STATELINE INTERCHANGE 230KV CKT 1
2	10G	G06_006	TO->FROM	FPL SWITCH - WOODWARD 138KV CKT 1	133	153	0.0371	131.8555	ELK CITY 230KV (ELKCTY-6) 230/138/13.8KV TRANSFORMER CKT 1
2	10G	G06_006	TO->FROM	FPL SWITCH - WOODWARD 138KV CKT 1	133	153	0.0371	131.8642	BECKHAM CO 230.00 - ELK CITY 230KV 230KV CKT 1
6	10G	G06_006	TO->FROM	FPL SWITCH - WOODWARD 138KV CKT 1	133	153	0.03707	103.6113	LAWTON EASTSIDE - OKLAUNION 345KV CKT 1
3	10G	G06_006	TO->FROM	FPL SWITCH - WOODWARD 138KV CKT 1	133	153	0.03699	109.0416	LAWTON EASTSIDE - OKLAUNION 345KV CKT 1
5	10G	G06_006	TO->FROM	FPL SWITCH - WOODWARD 138KV CKT 1	133	153	0.03695	106.9611	LAWTON EASTSIDE - OKLAUNION 345KV CKT 1

Group Dispatch Scenario	SEASON	SOURCE	DIRECTION	MONTCOMMONNAME	RATEA	RATEB	TDF	LOADING%	CONTNAME
2	10G	G06_006	TO->FROM	FPL SWITCH - WOODWARD 138KV CKT 1	133	153	0.03693	115.7736	GRAPEVINE INTERCHANGE - NICHOLS STATION 230KV CKT 1
2	10G	G06_006	TO->FROM	FPL SWITCH - WOODWARD 138KV CKT 1	133	153	0.03693	126.9661	LAWTON EASTSIDE - OKLAUNION 345KV CKT 1
2	10G	G06_006	TO->FROM	FPL SWITCH - WOODWARD 138KV CKT 1	133	153	0.03693	116.7903	G05-15T 345.00 - OKLAUNION 345KV CKT 1
2	10G	G06_006	TO->FROM	FPL SWITCH - WOODWARD 138KV CKT 1	133	153	0.03693	113.8468	G05-15T 345.00 - TUCO INTERCHANGE 345KV CKT 1
2	10G	G06_006	TO->FROM	FPL SWITCH - WOODWARD 138KV CKT 1	133	153	0.03688	104.9633	GRAND ISLAND - SWEETWATER 345KV CKT 1
2	10G	G06_006	TO->FROM	FPL SWITCH - WOODWARD 138KV CKT 1	133	153	0.03679	105.7545	FARGO JCT - WOODWARD 69KV CKT 1
2	10G	G06_006	TO->FROM	FPL SWITCH - WOODWARD 138KV CKT 1	133	153	0.03667	105.8461	CIMARRON - NORTHWEST 345KV CKT 1
2	10G	G06_006	TO->FROM	FPL SWITCH - WOODWARD 138KV CKT 1	133	153	0.03666	105.026	AMRN_OUTS6
2	10G	G06_006	TO->FROM	FPL SWITCH - WOODWARD 138KV CKT 1	133	153	0.03659	104.7297	WRTOD400
2	10G	G06_006	TO->FROM	FPL SWITCH - WOODWARD 138KV CKT 1	133	153	0.03658	116.2812	GRAPEVINE INTERCHANGE - NICHOLS STATION 230KV CKT 1
2	10G	G06_006	TO->FROM	FPL SWITCH - WOODWARD 138KV CKT 1	133	153	0.03656	107.3907	DEWEY - TALOGA 138KV CKT 1
2	10G	G06_006	TO->FROM	FPL SWITCH - WOODWARD 138KV CKT 1	133	153	0.03642	106.1532	GEN515223 1-MUSKOGEE 4G
2	10G	G06_006	TO->FROM	FPL SWITCH - WOODWARD 138KV CKT 1	133	153	0.03642	105.4163	GEN511839 1-NORTHEASTERN STATION #2
2	10G	G06_006	TO->FROM	FPL SWITCH - WOODWARD 138KV CKT 1	133	153	0.03642	105.664	GEN509406 1-WELSH #3
2	10G	G06_006	TO->FROM	FPL SWITCH - WOODWARD 138KV CKT 1	133	153	0.03642	100.577	GEN527161 1-MUSTANG GEN #1
2	10G	G06_006	TO->FROM	FPL SWITCH - WOODWARD 138KV CKT 1	133	153	0.03642	105.6383	GEN512688 2-GRDA1 GSU2 22
2	10G	G06_006	TO->FROM	FPL SWITCH - WOODWARD 138KV CKT 1	133	153	0.03642	105.2446	GEN511840 1-NORTHEASTERN STATION #3
2	10G	G06_006	TO->FROM	FPL SWITCH - WOODWARD 138KV CKT 1	133	153	0.03642	106.196	GEN515225 1-MUSKOGEE 5G
2	10G	G06_006	TO->FROM	FPL SWITCH - WOODWARD 138KV CKT 1	133	153	0.03642	104.6407	GEN521116 1-RHWIND4 138.00
2	10G	G06_006	TO->FROM	FPL SWITCH - WOODWARD 138KV CKT 1	133	153	0.03642	105.2174	GEN511841 1-NORTHEASTERN STATION #4
2	10G	G06_006	TO->FROM	FPL SWITCH - WOODWARD 138KV CKT 1	133	153	0.03642	108.2115	GEN515790 1-FPLWIND2
2	10G	G06_006	TO->FROM	FPL SWITCH - WOODWARD 138KV CKT 1	133	153	0.03642	105.1355	GEN512689 1-GRDA1 GSU1 22
2	10G	G06_006	TO->FROM	FPL SWITCH - WOODWARD 138KV CKT 1	133	153	0.03642	106.2806	GEN337910 1-ARKANSAS NUCLEAR ONE UNIT #1
2	10G	G06_006	TO->FROM	FPL SWITCH - WOODWARD 138KV CKT 1	133	153	0.03642	110.2485	GEN514805 1-SOONER UNIT 1
2	10G	G06_006	TO->FROM	FPL SWITCH - WOODWARD 138KV CKT 1	133	153	0.03642	105.6351	GEN511842 1-RIVERSIDE STATION #1
2	10G	G06_006	TO->FROM	FPL SWITCH - WOODWARD 138KV CKT 1	133	153	0.03642	107.5862	GEN511848 1-SOUTHWESTERN STATION #3
2	10G	G06_006	TO->FROM	FPL SWITCH - WOODWARD 138KV CKT 1	133	153	0.03642	106.1491	GEN335831 1-RIVERBEND UNIT#1
2	10G	G06_006	TO->FROM	FPL SWITCH - WOODWARD 138KV CKT 1	133	153	0.03642	105.6898	GEN511843 1-RIVERSIDE STATION #2
2	10G	G06_006	TO->FROM	FPL SWITCH - WOODWARD 138KV CKT 1	133	153	0.03642	105.9899	GEN520947 1-HUGO1
2	10G	G06_006	TO->FROM	FPL SWITCH - WOODWARD 138KV CKT 1	133	153	0.03642	106.1806	GEN515226 1-MUSKOGEE 6G
2	10G	G06_006	TO->FROM	FPL SWITCH - WOODWARD 138KV CKT 1	133	153	0.03642	107.6471	GEN514806 1-SOONER UNIT 2
2	10G	G06_006	TO->FROM	FPL SWITCH - WOODWARD 138KV CKT 1	133	153	0.03642	106.4108	GEN520922 1-SLEEPING 138.00
2	10G	G06_006	TO->FROM	FPL SWITCH - WOODWARD 138KV CKT 1	133	153	0.03642	106.3417	GEN501801 1-DOLET HILLS UNIT1
2	10G	G06_006	TO->FROM	FPL SWITCH - WOODWARD 138KV CKT 1	133	153	0.03642	105.2362	GEN509394 1-FLINT CREEK
2	10G	G06_006	TO->FROM	FPL SWITCH - WOODWARD 138KV CKT 1	133	153	0.03642	100.5715	GEN527164 1-MUSTANG GEN #4 22 KV
2	10G	G06_006	TO->FROM	FPL SWITCH - WOODWARD 138KV CKT 1	133	153	0.03642	105.1071	GEN501813 1-RODEMACHER UNIT 3
2	10G	G06_006	TO->FROM	FPL SWITCH - WOODWARD 138KV CKT 1	133	153	0.03642	104.7593	GEN337041 1-GERALD ANDRUS
2	10G	G06_006	TO->FROM	FPL SWITCH - WOODWARD 138KV CKT 1	133	153	0.03642	104.7885	GEN501812 1-RODEMACHER UNIT 2
2	10G	G06_006	TO->FROM	FPL SWITCH - WOODWARD 138KV CKT 1	133	153	0.03642	105.4311	GEN337652 1-WHITE BLUFF UNIT #1
2	10G	G06_006	TO->FROM	FPL SWITCH - WOODWARD 138KV CKT 1	133	153	0.03642	100.574	GEN527165 1-Mustang Gen #5
2	10G	G06_006	TO->FROM	FPL SWITCH - WOODWARD 138KV CKT 1	133	153	0.03642	104.9108	GEN338146 1-INDEPENDENCE UNIT #2
2	10G	G06_006	TO->FROM	FPL SWITCH - WOODWARD 138KV CKT 1	133	153	0.03642	105.4389	GEN337653 1-WHITE BLUFF UNIT #2
2	10G	G06_006	TO->FROM	FPL SWITCH - WOODWARD 138KV CKT 1	133	153	0.03642	100.5504	GEN527901 1-HOBBS PLANT #1 (CT)
2	10G	G06_006	TO->FROM	FPL SWITCH - WOODWARD 138KV CKT 1	133	153	0.03642	106.9881	GEN337911 1-ARKANSAS NUCLEAR ONE UNIT #2
2	10G	G06_006	TO->FROM	FPL SWITCH - WOODWARD 138KV CKT 1	133	153	0.03642	100.5504	GEN527902 1-HOBBS PLANT #2 (CT)
2	10G	G06_006	TO->FROM	FPL SWITCH - WOODWARD 138KV CKT 1	133	153	0.03642	105.6638	GEN509405 1-WELSH #2
2	10G	G06_006	TO->FROM	FPL SWITCH - WOODWARD 138KV CKT 1	133	153	0.03642	106.8418	GEN336821 1-GRAND GULF UNIT
2	10G	G06_006	TO->FROM	FPL SWITCH - WOODWARD 138KV CKT 1	133	153	0.03642	100.577	GEN527162 1-MUSTANG GEN #2
2	10G	G06_006	TO->FROM	FPL SWITCH - WOODWARD 138KV CKT 1	133	153	0.03642	106.2864	GEN509403 1-PIRKEY GENERATION
2	10G	G06_006	TO->FROM	FPL SWITCH - WOODWARD 138KV CKT 1	133	153	0.03642	105.6637	GEN509404 1-WELSH #1
2	10G	G06_006	TO->FROM	FPL SWITCH - WOODWARD 138KV CKT 1	133	153	0.03642	106.6933	GEN336153 1-WATERFORD UNIT#3
2	10G	G06_006	TO->FROM	FPL SWITCH - WOODWARD 138KV CKT 1	133	153	0.03642	100.4418	GEN527163 1-MUSTANG GEN #3 22 KV
2	10G	G06_006	TO->FROM	FPL SWITCH - WOODWARD 138KV CKT 1	133	153	0.03642	105.12	GEN560152 1-G06-46 0.6000
2	10G	G06_006	TO->FROM	FPL SWITCH - WOODWARD 138KV CKT 1	133	153	0.03642	100.0881	GEN645001 1-FORT CALHOUN 1
2	10G	G06_006	TO->FROM	FPL SWITCH - WOODWARD 138KV CKT 1	133	153	0.03642	115.4238	GEN560183 1-G07-51 0.6000
2	10G	G06_006	TO->FROM	FPL SWITCH - WOODWARD 138KV CKT 1	133	153	0.03642	100.6005	GEN560035 1-G03-13-1 0.6000
2	10G	G06_006	TO->FROM	FPL SWITCH - WOODWARD 138KV CKT 1	133	153	0.03642	100.1575	GEN560067 1-G06-49-3 0.6000
2	10G	G06_006	TO->FROM	FPL SWITCH - WOODWARD 138KV CKT 1	133	153	0.03642	100.3224	GEN542957 1-IATAN UNIT #1
2	10G	G06_006	TO->FROM	FPL SWITCH - WOODWARD 138KV CKT 1	133	153	0.03642	100.6005	GEN560036 1-G03-13-2 0.6000
2	10G	G06_006	TO->FROM	FPL SWITCH - WOODWARD 138KV CKT 1	133	153	0.03642	100.2899	GEN532751 1-WOLF CREEK GENERATING STATION UNIT 1

Group Dispatch Scenario	SEASON	SOURCE	DIRECTION	MONTCOMMONNAME	RATEA	RATEB	TDF	LOADING%	CONTNAME
2	10G	G06_006	TO->FROM	FPL SWITCH - WOODWARD 138KV CKT 1	133	153	0.03642	118.0828	BASE CASE
2	10G	G06_006	TO->FROM	FPL SWITCH - WOODWARD 138KV CKT 1	133	153	0.03637	100.497	OGE3TERM4
2	10G	G06_006	TO->FROM	FPL SWITCH - WOODWARD 138KV CKT 1	133	153	0.03637	105.5246	GRAND ISLAND - SWEETWATER 345KV CKT 1
2	10G	G06_006	TO->FROM	FPL SWITCH - WOODWARD 138KV CKT 1	133	153	0.03628	100.3692	WEATHERFORD JCT. - WEATHERFORD SOUTHEAST 138KV CKT 1
2	10G	G06_006	TO->FROM	FPL SWITCH - WOODWARD 138KV CKT 1	133	153	0.03626	100.4914	ALVA - KNOBHILL 69KV CKT 1
2	10G	G06_006	TO->FROM	FPL SWITCH - WOODWARD 138KV CKT 1	133	153	0.03616	105.5927	AMRN_OUTS6
2	10G	G06_006	TO->FROM	FPL SWITCH - WOODWARD 138KV CKT 1	133	153	0.03613	105.105	ELK CITY - FALCON ROAD 138KV CKT 1
2	10G	G06_006	TO->FROM	FPL SWITCH - WOODWARD 138KV CKT 1	133	153	0.03609	111.6982	WOODRING (WOODRNG2) 345/138/13.8KV TRANSFORMER CKT 1
2	10G	G06_006	TO->FROM	FPL SWITCH - WOODWARD 138KV CKT 1	133	153	0.03609	105.2973	WRTOD400
2	10G	G06_006	TO->FROM	FPL SWITCH - WOODWARD 138KV CKT 1	133	153	0.03602	108.0076	DEWEY - TALOGA 138KV CKT 1
2	10G	G06_006	TO->FROM	FPL SWITCH - WOODWARD 138KV CKT 1	133	153	0.03596	100.2202	LYDIA - VALLIANT 345KV CKT 1
2	10G	G06_006	TO->FROM	FPL SWITCH - WOODWARD 138KV CKT 1	133	153	0.03595	100.311	SPP-AEPW-01
3	10G	G06_006	TO->FROM	FPL SWITCH - WOODWARD 138KV CKT 1	133	153	0.03593	104.5285	BASE CASE
3	10G	G06_006	TO->FROM	FPL SWITCH - WOODWARD 138KV CKT 1	133	153	0.03593	103.7955	GEN560183 1-G07-51 0.6000
2	10G	G06_006	TO->FROM	FPL SWITCH - WOODWARD 138KV CKT 1	133	153	0.03592	118.7333	BASE CASE
2	10G	G06_006	TO->FROM	FPL SWITCH - WOODWARD 138KV CKT 1	133	153	0.03592	106.0534	GEN337653 1-WHITE BLUFF UNIT #2
2	10G	G06_006	TO->FROM	FPL SWITCH - WOODWARD 138KV CKT 1	133	153	0.03592	108.1232	GEN511848 1-SOUTHWESTERN STATION #3
2	10G	G06_006	TO->FROM	FPL SWITCH - WOODWARD 138KV CKT 1	133	153	0.03592	106.0456	GEN337652 1-WHITE BLUFF UNIT #1
2	10G	G06_006	TO->FROM	FPL SWITCH - WOODWARD 138KV CKT 1	133	153	0.03592	101.0284	GEN527165 1-Mustang Gen #5
2	10G	G06_006	TO->FROM	FPL SWITCH - WOODWARD 138KV CKT 1	133	153	0.03592	105.3809	GEN501812 1-RODEMACHER UNIT 2
2	10G	G06_006	TO->FROM	FPL SWITCH - WOODWARD 138KV CKT 1	133	153	0.03592	100.3116	GEN527882 1-CUNNINGHAM GEN #2 20 KV
2	10G	G06_006	TO->FROM	FPL SWITCH - WOODWARD 138KV CKT 1	133	153	0.03592	110.8397	GEN514805 1-SOONER UNIT 1
2	10G	G06_006	TO->FROM	FPL SWITCH - WOODWARD 138KV CKT 1	133	153	0.03592	107.6139	GEN337911 1-ARKANSAS NUCLEAR ONE UNIT #2
2	10G	G06_006	TO->FROM	FPL SWITCH - WOODWARD 138KV CKT 1	133	153	0.03592	100.0742	GEN532652 1-JEFFREY ENERGY CENTER UNIT 2
2	10G	G06_006	TO->FROM	FPL SWITCH - WOODWARD 138KV CKT 1	133	153	0.03592	101.0027	GEN527902 1-HOBBS PLANT #2 (CT)
2	10G	G06_006	TO->FROM	FPL SWITCH - WOODWARD 138KV CKT 1	133	153	0.03592	100.0649	GEN532651 1-JEFFREY ENERGY CENTER UNIT 1
2	10G	G06_006	TO->FROM	FPL SWITCH - WOODWARD 138KV CKT 1	133	153	0.03592	106.8966	GEN337910 1-ARKANSAS NUCLEAR ONE UNIT #1
2	10G	G06_006	TO->FROM	FPL SWITCH - WOODWARD 138KV CKT 1	133	153	0.03592	101.0027	GEN527901 1-HOBBS PLANT #1 (CT)
2	10G	G06_006	TO->FROM	FPL SWITCH - WOODWARD 138KV CKT 1	133	153	0.03592	100.108	GEN527903 1-HOBBS PLANT #3 (ST)
2	10G	G06_006	TO->FROM	FPL SWITCH - WOODWARD 138KV CKT 1	133	153	0.03592	105.532	GEN338146 1-INDEPENDENCE UNIT #2
2	10G	G06_006	TO->FROM	FPL SWITCH - WOODWARD 138KV CKT 1	133	153	0.03592	106.9292	GEN501801 1-DOLET HILLS UNIT1
2	10G	G06_006	TO->FROM	FPL SWITCH - WOODWARD 138KV CKT 1	133	153	0.03592	106.5534	GEN520947 1-HUGO1
2	10G	G06_006	TO->FROM	FPL SWITCH - WOODWARD 138KV CKT 1	133	153	0.03592	105.7195	GEN512689 1-GRDA1 GSU1 22
2	10G	G06_006	TO->FROM	FPL SWITCH - WOODWARD 138KV CKT 1	133	153	0.03592	108.238	GEN514806 1-SOONER UNIT 2
2	10G	G06_006	TO->FROM	FPL SWITCH - WOODWARD 138KV CKT 1	133	153	0.03592	106.2269	GEN512688 2-GRDA1 GSU2 22
2	10G	G06_006	TO->FROM	FPL SWITCH - WOODWARD 138KV CKT 1	133	153	0.03592	106.7343	GEN515223 1-MUSKOGEE 4G
2	10G	G06_006	TO->FROM	FPL SWITCH - WOODWARD 138KV CKT 1	133	153	0.03592	100.7099	GEN645001 1-FORT CALHOUN 1
2	10G	G06_006	TO->FROM	FPL SWITCH - WOODWARD 138KV CKT 1	133	153	0.03592	106.7773	GEN515225 1-MUSKOGEE 5G
2	10G	G06_006	TO->FROM	FPL SWITCH - WOODWARD 138KV CKT 1	133	153	0.03592	106.2706	GEN511843 1-RIVERSIDE STATION #2
2	10G	G06_006	TO->FROM	FPL SWITCH - WOODWARD 138KV CKT 1	133	153	0.03592	106.7619	GEN515226 1-MUSKOGEE 6G
2	10G	G06_006	TO->FROM	FPL SWITCH - WOODWARD 138KV CKT 1	133	153	0.03592	106.2157	GEN511842 1-RIVERSIDE STATION #1
2	10G	G06_006	TO->FROM	FPL SWITCH - WOODWARD 138KV CKT 1	133	153	0.03592	108.7793	GEN515790 1-FPLWND2
2	10G	G06_006	TO->FROM	FPL SWITCH - WOODWARD 138KV CKT 1	133	153	0.03592	105.8033	GEN511841 1-NORTHEASTERN STATION #4
2	10G	G06_006	TO->FROM	FPL SWITCH - WOODWARD 138KV CKT 1	133	153	0.03592	100.889	GEN527163 1-MUSTANG GEN #3 22 KV
2	10G	G06_006	TO->FROM	FPL SWITCH - WOODWARD 138KV CKT 1	133	153	0.03592	105.8308	GEN511840 1-NORTHEASTERN STATION #3
2	10G	G06_006	TO->FROM	FPL SWITCH - WOODWARD 138KV CKT 1	133	153	0.03592	105.7033	GEN501813 1-RODEMACHER UNIT 3
2	10G	G06_006	TO->FROM	FPL SWITCH - WOODWARD 138KV CKT 1	133	153	0.03592	106.0014	GEN511839 1-NORTHEASTERN STATION #2
2	10G	G06_006	TO->FROM	FPL SWITCH - WOODWARD 138KV CKT 1	133	153	0.03592	105.1952	GEN521116 1-RHWIND4 138.00
2	10G	G06_006	TO->FROM	FPL SWITCH - WOODWARD 138KV CKT 1	133	153	0.03592	106.2396	GEN509406 1-WELSH #3
2	10G	G06_006	TO->FROM	FPL SWITCH - WOODWARD 138KV CKT 1	133	153	0.03592	101.0321	GEN527161 1-MUSTANG GEN #1
2	10G	G06_006	TO->FROM	FPL SWITCH - WOODWARD 138KV CKT 1	133	153	0.03592	106.2394	GEN509405 1-WELSH #2
2	10G	G06_006	TO->FROM	FPL SWITCH - WOODWARD 138KV CKT 1	133	153	0.03592	106.2393	GEN509404 1-WELSH #1
2	10G	G06_006	TO->FROM	FPL SWITCH - WOODWARD 138KV CKT 1	133	153	0.03592	101.0321	GEN527162 1-MUSTANG GEN #2
2	10G	G06_006	TO->FROM	FPL SWITCH - WOODWARD 138KV CKT 1	133	153	0.03592	100.0739	GEN532653 1-JEFFREY ENERGY CENTER UNIT 3
2	10G	G06_006	TO->FROM	FPL SWITCH - WOODWARD 138KV CKT 1	133	153	0.03592	106.868	GEN509403 1-PIRKEY GENERATION
2	10G	G06_006	TO->FROM	FPL SWITCH - WOODWARD 138KV CKT 1	133	153	0.03592	105.3711	GEN337041 1-GERALD ANDRUS
2	10G	G06_006	TO->FROM	FPL SWITCH - WOODWARD 138KV CKT 1	133	153	0.03592	105.8264	GEN509394 1-FLINT CREEK
2	10G	G06_006	TO->FROM	FPL SWITCH - WOODWARD 138KV CKT 1	133	153	0.03592	101.0258	GEN527164 1-MUSTANG GEN #4 22 KV
2	10G	G06_006	TO->FROM	FPL SWITCH - WOODWARD 138KV CKT 1	133	153	0.03592	106.9845	GEN520922 1-SLEEPING 138.00
2	10G	G06_006	TO->FROM	FPL SWITCH - WOODWARD 138KV CKT 1	133	153	0.03592	100.7653	GEN560067 1-G06-49-3 0.6000

Group Dispatch Scenario	SEASON	SOURCE	DIRECTION	MONTCOMMONNAME	RATEA	RATEB	TDF	LOADING%	CONTNAME
2	10G	G06_006	TO->FROM	FPL SWITCH - WOODWARD 138KV CKT 1	133	153	0.03592	100.1916	GEN560055 1-G06-44-2 0.6000
2	10G	G06_006	TO->FROM	FPL SWITCH - WOODWARD 138KV CKT 1	133	153	0.03592	100.3352	GEN560065 1-G06-49-1 0.6000
2	10G	G06_006	TO->FROM	FPL SWITCH - WOODWARD 138KV CKT 1	133	153	0.03592	100.5353	GEN560049 1-G05-17-3 34.500
2	10G	G06_006	TO->FROM	FPL SWITCH - WOODWARD 138KV CKT 1	133	153	0.03592	100.3857	GEN560066 1-G06-49-2 0.6000
2	10G	G06_006	TO->FROM	FPL SWITCH - WOODWARD 138KV CKT 1	133	153	0.03592	100.5353	GEN560045 1-G05-17-1 34.500
2	10G	G06_006	TO->FROM	FPL SWITCH - WOODWARD 138KV CKT 1	133	153	0.03592	101.1998	GEN560036 1-G03-13-2 0.6000
2	10G	G06_006	TO->FROM	FPL SWITCH - WOODWARD 138KV CKT 1	133	153	0.03592	101.1998	GEN560035 1-G03-13-1 0.6000
2	10G	G06_006	TO->FROM	FPL SWITCH - WOODWARD 138KV CKT 1	133	153	0.03592	105.6877	GEN560152 1-G06-46 0.6000
2	10G	G06_006	TO->FROM	FPL SWITCH - WOODWARD 138KV CKT 1	133	153	0.03592	100.3908	GEN560032 1-G02-06 0.6000
2	10G	G06_006	TO->FROM	FPL SWITCH - WOODWARD 138KV CKT 1	133	153	0.03592	100.9736	GEN532751 1-WOLF CREEK GENERATING STATION UNIT 1
2	10G	G06_006	TO->FROM	FPL SWITCH - WOODWARD 138KV CKT 1	133	153	0.03592	107.3299	GEN336153 1-WATERFORD UNIT#3
2	10G	G06_006	TO->FROM	FPL SWITCH - WOODWARD 138KV CKT 1	133	153	0.03592	107.4885	GEN336821 1-GRAND GULF UNIT
2	10G	G06_006	TO->FROM	FPL SWITCH - WOODWARD 138KV CKT 1	133	153	0.03592	106.777	GEN335831 1-RIVERBEND UNIT#1
2	10G	G06_006	TO->FROM	FPL SWITCH - WOODWARD 138KV CKT 1	133	153	0.03592	100.2116	GEN539670 4-JUDSON LARGE GENERATOR
2	10G	G06_006	TO->FROM	FPL SWITCH - WOODWARD 138KV CKT 1	133	153	0.03592	115.9935	GEN560183 1-G07-51 0.6000
2	10G	G06_006	TO->FROM	FPL SWITCH - WOODWARD 138KV CKT 1	133	153	0.03592	100.954	GEN542957 1-IATAN UNIT #1
2	10G	G06_006	TO->FROM	FPL SWITCH - WOODWARD 138KV CKT 1	133	153	0.03587	101.0716	OGE3TERM4
2	10G	G06_006	TO->FROM	FPL SWITCH - WOODWARD 138KV CKT 1	133	153	0.03581	100.6564	OKEENE - WATONGA SW 69KV CKT 1
2	10G	G06_006	TO->FROM	FPL SWITCH - WOODWARD 138KV CKT 1	133	153	0.03576	101.0671	ALVA - KNOBHILL 69KV CKT 1
2	10G	G06_006	TO->FROM	FPL SWITCH - WOODWARD 138KV CKT 1	133	153	0.03576	100.9922	WEATHERFORD JCT. - WEATHERFORD SOUTHEAST 138KV CKT 1
2	10G	G06_006	TO->FROM	FPL SWITCH - WOODWARD 138KV CKT 1	133	153	0.03564	105.6677	ELK CITY - FALCON ROAD 138KV CKT 1
3	10G	G06_006	TO->FROM	FPL SWITCH - WOODWARD 138KV CKT 1	133	153	0.0356	101.4462	WOODRING (WOODRNG2) 345/138/13.8KV TRANSFORMER CKT 1
2	10G	G06_006	TO->FROM	FPL SWITCH - WOODWARD 138KV CKT 1	133	153	0.03559	112.2775	WOODRING (WOODRNG2) 345/138/13.8KV TRANSFORMER CKT 1
2	10G	G06_006	TO->FROM	FPL SWITCH - WOODWARD 138KV CKT 1	133	153	0.03552	100.1551	HELENAT2 69.000 - SALINE 69KV CKT 1
2	10G	G06_006	TO->FROM	FPL SWITCH - WOODWARD 138KV CKT 1	133	153	0.03546	100.8241	LYDIA - VALLIANT 345KV CKT 1
2	10G	G06_006	TO->FROM	FPL SWITCH - WOODWARD 138KV CKT 1	133	153	0.03545	100.914	SPP-AEPW-01
2	10G	G06_006	TO->FROM	FPL SWITCH - WOODWARD 138KV CKT 1	133	153	0.03531	101.2153	OKEENE - WATONGA SW 69KV CKT 1
2	10G	G06_006	TO->FROM	FPL SWITCH - WOODWARD 138KV CKT 1	133	153	0.03502	100.3264	KNOBHILL - SALINE 69KV CKT 1
2	10G	G06_006	TO->FROM	FPL SWITCH - WOODWARD 138KV CKT 1	133	153	0.03502	100.7181	HELENAT2 69.000 - SALINE 69KV CKT 1
2	10G	G06_006	TO->FROM	FPL SWITCH - WOODWARD 138KV CKT 1	133	153	0.03473	100.1539	DOVER SW - HENESSEY 138KV CKT 1
2	10G	G06_006	TO->FROM	FPL SWITCH - WOODWARD 138KV CKT 1	133	153	0.03436	109.0362	FINNEY SWITCHING STATION - STEVENS CO 345.00 345KV CKT 1
2	10G	G06_006	TO->FROM	FPL SWITCH - WOODWARD 138KV CKT 1	133	153	0.03422	100.7217	DOVER SW - HENESSEY 138KV CKT 1
2	10G	G06_006	TO->FROM	FPL SWITCH - WOODWARD 138KV CKT 1	133	153	0.03394	109.3439	FINNEY SWITCHING STATION - STEVENS CO 345.00 345KV CKT 1
2	10G	G06_006	TO->FROM	FPL SWITCH - WOODWARD 138KV CKT 1	133	153	0.03165	107.8209	COMANCH5 345.00 - WWRDEHV7 345.00 345KV CKT 1
2	10G	G06_006	TO->FROM	FPL SWITCH - WOODWARD 138KV CKT 1	133	153	0.03165	107.8209	COMANCH5 345.00 - WWRDEHV7 345.00 345KV CKT 2
2	10G	G06_006	TO->FROM	FPL SWITCH - WOODWARD 138KV CKT 1	133	153	0.03115	108.3936	COMANCH5 345.00 - WWRDEHV7 345.00 345KV CKT 1
2	10G	G06_006	TO->FROM	FPL SWITCH - WOODWARD 138KV CKT 1	133	153	0.03115	108.3936	COMANCH5 345.00 - WWRDEHV7 345.00 345KV CKT 2
5	10G	G06_006	TO->FROM	DEAF SMITH COUNTY INTERCHANGE - G06-39T 230.00 230KV CKT	319	351	0.0305	104.1986	GEN525562 1-TOLK GEN #2 24 KV
5	10G	G06_006	TO->FROM	DEAF SMITH COUNTY INTERCHANGE - G06-39T 230.00 230KV CKT	319	351	0.0305	101.7073	GEN525561 1-TOLK GEN #1 24 KV
5	10G	G06_006	TO->FROM	DEAF SMITH COUNTY INTERCHANGE - G06-39T 230.00 230KV CKT	319	351	0.02992	104.7025	GEN525562 1-TOLK GEN #2 24 KV
5	10G	G06_006	TO->FROM	DEAF SMITH COUNTY INTERCHANGE - G06-39T 230.00 230KV CKT	319	351	0.02992	102.5639	GEN525561 1-TOLK GEN #1 24 KV
5	10G	G07_005	FROM->TO	ELK CITY 230KV (ELKCTY-6) 230/138/13.8KV TRANSFORMER CKT 1	287	287	0.14136	111.8999	PP-001
5	10G	G07_005	FROM->TO	ELK CITY 230KV (ELKCTY-6) 230/138/13.8KV TRANSFORMER CKT 1	287	287	0.14136	110.1414	PP-001
2	10G	G07_005	FROM->TO	ELK CITY 230KV (ELKCTY-6) 230/138/13.8KV TRANSFORMER CKT 1	287	287	0.14135	110.6381	PP-001
2	10G	G07_005	FROM->TO	ELK CITY 230KV (ELKCTY-6) 230/138/13.8KV TRANSFORMER CKT 1	287	287	0.14135	112.4501	PP-001
5	10G	G07_005	FROM->TO	ELK CITY 230KV (ELKCTY-6) 230/138/13.8KV TRANSFORMER CKT 1	287	287	0.13221	109.0949	PP-001
5	10G	G07_005	FROM->TO	ELK CITY 230KV (ELKCTY-6) 230/138/13.8KV TRANSFORMER CKT 1	287	287	0.13221	110.8034	PP-001
2	10G	G07_005	FROM->TO	ELK CITY 230KV (ELKCTY-6) 230/138/13.8KV TRANSFORMER CKT 1	287	287	0.13219	110.9247	PP-001
2	10G	G07_005	FROM->TO	ELK CITY 230KV (ELKCTY-6) 230/138/13.8KV TRANSFORMER CKT 1	287	287	0.13219	112.7523	PP-001
5	10G	G07_005	FROM->TO	ELK CITY 230KV (ELKCTY-6) 230/138/13.8KV TRANSFORMER CKT 1	287	287	0.12082	102.5299	POTTER COUNTY INTERCHANGE (WAUK 90343-A) 345/230/13.2KV TRANSFORMER CKT 1
5	10G	G07_005	FROM->TO	ELK CITY 230KV (ELKCTY-6) 230/138/13.8KV TRANSFORMER CKT 1	287	287	0.12082	103.9259	POTTER COUNTY INTERCHANGE (WAUK 90343-A) 345/230/13.2KV TRANSFORMER CKT 1
5	10G	G07_005	FROM->TO	ELK CITY 230KV (ELKCTY-6) 230/138/13.8KV TRANSFORMER CKT 1	287	287	0.12082	106.6511	G05-17T 345.00 - Hitchland Interchange 345KV CKT 1
5	10G	G07_005	FROM->TO	ELK CITY 230KV (ELKCTY-6) 230/138/13.8KV TRANSFORMER CKT 1	287	287	0.12082	102.4632	G05-17T 345.00 - POTTER COUNTY INTERCHANGE 345KV CKT 1
5	10G	G07_005	FROM->TO	ELK CITY 230KV (ELKCTY-6) 230/138/13.8KV TRANSFORMER CKT 1	287	287	0.12082	105.1352	G05-17T 345.00 - Hitchland Interchange 345KV CKT 1

Group Dispatch Scenario	SEASON	SOURCE	DIRECTION	MONTCOMMONNAME	RATEA	RATEB	TDF	LOADING%	CONTNAME
5	10G	G07_005	FROM->TO	ELK CITY 230KV (ELKCTY-6) 230/138/13.8KV TRANSFORMER CKT 1	287	287	0.12082	103.8569	G05-17T 345.00 - POTTER COUNTY INTERCHANGE 345KV CKT 1
5	10G	G07_005	FROM->TO	ELK CITY 230KV (ELKCTY-6) 230/138/13.8KV TRANSFORMER CKT 1	287	287	0.11799	103.8508	G05-15T 345.00 - OKLAUNION 345KV CKT 1
5	10G	G07_005	FROM->TO	ELK CITY 230KV (ELKCTY-6) 230/138/13.8KV TRANSFORMER CKT 1	287	287	0.11799	102.82	G05-15T 345.00 - TUCO INTERCHANGE 345KV CKT 1
5	10G	G07_005	FROM->TO	ELK CITY 230KV (ELKCTY-6) 230/138/13.8KV TRANSFORMER CKT 1	287	287	0.11799	114.1123	LAWTON EASTSIDE - OKLAUNION 345KV CKT 1
5	10G	G07_005	FROM->TO	ELK CITY 230KV (ELKCTY-6) 230/138/13.8KV TRANSFORMER CKT 1	287	287	0.11799	101.4979	G05-15T 345.00 - TUCO INTERCHANGE 345KV CKT 1
5	10G	G07_005	FROM->TO	ELK CITY 230KV (ELKCTY-6) 230/138/13.8KV TRANSFORMER CKT 1	287	287	0.11799	105.262	G05-15T 345.00 - OKLAUNION 345KV CKT 1
5	10G	G07_005	FROM->TO	ELK CITY 230KV (ELKCTY-6) 230/138/13.8KV TRANSFORMER CKT 1	287	287	0.11799	112.2883	LAWTON EASTSIDE - OKLAUNION 345KV CKT 1
2	10G	G07_005	FROM->TO	ELK CITY 230KV (ELKCTY-6) 230/138/13.8KV TRANSFORMER CKT 1	287	287	0.11798	100.3767	LAWTON EASTSIDE - OKLAUNION 345KV CKT 1
2	10G	G07_005	FROM->TO	ELK CITY 230KV (ELKCTY-6) 230/138/13.8KV TRANSFORMER CKT 1	287	287	0.11798	101.5926	LAWTON EASTSIDE - OKLAUNION 345KV CKT 1
5	10G	G07_005	FROM->TO	ELK CITY 230KV (ELKCTY-6) 230/138/13.8KV TRANSFORMER CKT 1	287	287	0.10098	110.2283	LAWTON EASTSIDE - OKLAUNION 345KV CKT 1
5	10G	G07_005	FROM->TO	ELK CITY 230KV (ELKCTY-6) 230/138/13.8KV TRANSFORMER CKT 1	287	287	0.10098	101.8244	G05-15T 345.00 - OKLAUNION 345KV CKT 1
5	10G	G07_005	FROM->TO	ELK CITY 230KV (ELKCTY-6) 230/138/13.8KV TRANSFORMER CKT 1	287	287	0.10098	108.6027	LAWTON EASTSIDE - OKLAUNION 345KV CKT 1
5	10G	G07_005	FROM->TO	ELK CITY 230KV (ELKCTY-6) 230/138/13.8KV TRANSFORMER CKT 1	287	287	0.10098	100.5529	G05-15T 345.00 - OKLAUNION 345KV CKT 1
5	10G	G07_005	TO->FROM	DEAF SMITH COUNTY INTERCHANGE - G06-39T 230.00 230KV CKT	319	351	0.08407	102.5639	GEN525561 1-TOLK GEN #1 24 KV
5	10G	G07_005	TO->FROM	DEAF SMITH COUNTY INTERCHANGE - G06-39T 230.00 230KV CKT	319	351	0.08407	104.7025	GEN525562 1-TOLK GEN #2 24 KV
5	10G	G07_005	TO->FROM	DEAF SMITH COUNTY INTERCHANGE - G06-39T 230.00 230KV CKT	319	351	0.07781	101.7073	GEN525561 1-TOLK GEN #1 24 KV
5	10G	G07_005	TO->FROM	DEAF SMITH COUNTY INTERCHANGE - G06-39T 230.00 230KV CKT	319	351	0.07781	104.1986	GEN525562 1-TOLK GEN #2 24 KV
5	10G	G07_005	TO->FROM	FPL SWITCH - WOODWARD 138KV CKT 1	133	153	0.05388	107.8422	PP-002
2	10G	G07_005	TO->FROM	FPL SWITCH - WOODWARD 138KV CKT 1	133	153	0.05386	132.2336	PP-002
6	10G	G07_005	TO->FROM	FPL SWITCH - WOODWARD 138KV CKT 1	133	153	0.05011	112.5493	NORTHWEST - TATONGA EHV 345.00 345KV CKT 1
4	10G	G07_005	TO->FROM	FPL SWITCH - WOODWARD 138KV CKT 1	133	153	0.05003	110.2918	NORTHWEST - TATONGA EHV 345.00 345KV CKT 1
3	10G	G07_005	TO->FROM	FPL SWITCH - WOODWARD 138KV CKT 1	133	153	0.05001	131.1963	NORTHWEST - TATONGA EHV 345.00 345KV CKT 1
3	10G	G07_005	TO->FROM	FPL SWITCH - WOODWARD 138KV CKT 1	133	153	0.05001	118.1452	TATONGA EHV 345.00 - WWRDEHV7 345.00 345KV CKT 1
5	10G	G07_005	TO->FROM	FPL SWITCH - WOODWARD 138KV CKT 1	133	153	0.04999	109.3327	TATONGA EHV 345.00 - WWRDEHV7 345.00 345KV CKT 1
5	10G	G07_005	TO->FROM	FPL SWITCH - WOODWARD 138KV CKT 1	133	153	0.04999	122.3248	NORTHWEST - TATONGA EHV 345.00 345KV CKT 1
2	10G	G07_005	TO->FROM	FPL SWITCH - WOODWARD 138KV CKT 1	133	153	0.04997	151.4358	NORTHWEST - TATONGA EHV 345.00 345KV CKT 1
2	10G	G07_005	TO->FROM	FPL SWITCH - WOODWARD 138KV CKT 1	133	153	0.04997	138.5764	TATONGA EHV 345.00 - WWRDEHV7 345.00 345KV CKT 1
5	10G	G07_005	TO->FROM	FPL SWITCH - WOODWARD 138KV CKT 1	133	153	0.04866	106.1716	PP-002
2	10G	G07_005	TO->FROM	FPL SWITCH - WOODWARD 138KV CKT 1	133	153	0.04864	131.6566	PP-002
6	10G	G07_005	TO->FROM	FPL SWITCH - WOODWARD 138KV CKT 1	133	153	0.04772	100.7719	PP-004
3	10G	G07_005	TO->FROM	FPL SWITCH - WOODWARD 138KV CKT 1	133	153	0.04762	117.4055	PP-004
5	10G	G07_005	TO->FROM	FPL SWITCH - WOODWARD 138KV CKT 1	133	153	0.04759	110.271	PP-004
2	10G	G07_005	TO->FROM	FPL SWITCH - WOODWARD 138KV CKT 1	133	153	0.04756	139.0566	PP-004
5	10G	G07_005	TO->FROM	FPL SWITCH - WOODWARD 138KV CKT 1	133	153	0.04703	102.9974	SPP-SWPS-03B
2	10G	G07_005	TO->FROM	FPL SWITCH - WOODWARD 138KV CKT 1	133	153	0.04702	121.8661	SPP-SWPS-03B
3	10G	G07_005	TO->FROM	FPL SWITCH - WOODWARD 138KV CKT 1	133	153	0.04697	109.9407	ELK CITY 230KV (ELKCTY-6) 230/138/13.8KV TRANSFORMER CKT 1
3	10G	G07_005	TO->FROM	FPL SWITCH - WOODWARD 138KV CKT 1	133	153	0.04697	109.9459	BECKHAM CO 230.00 - ELK CITY 230KV 230KV CKT 1
5	10G	G07_005	TO->FROM	FPL SWITCH - WOODWARD 138KV CKT 1	133	153	0.04693	113.4768	ELK CITY 230KV (ELKCTY-6) 230/138/13.8KV TRANSFORMER CKT 1
5	10G	G07_005	TO->FROM	FPL SWITCH - WOODWARD 138KV CKT 1	133	153	0.04693	113.4847	BECKHAM CO 230.00 - ELK CITY 230KV 230KV CKT 1
5	10G	G07_005	TO->FROM	FPL SWITCH - WOODWARD 138KV CKT 1	133	153	0.04693	102.4427	GRAPEVINE INTERCHANGE - STATELINE INTERCHANGE 230KV CKT 1
5	10G	G07_005	TO->FROM	FPL SWITCH - WOODWARD 138KV CKT 1	133	153	0.04693	102.4097	BECKHAM CO 230.00 - STATELINE INTERCHANGE 230KV CKT 1
2	10G	G07_005	TO->FROM	FPL SWITCH - WOODWARD 138KV CKT 1	133	153	0.04691	120.9478	BECKHAM CO 230.00 - STATELINE INTERCHANGE 230KV CKT 1
2	10G	G07_005	TO->FROM	FPL SWITCH - WOODWARD 138KV CKT 1	133	153	0.04691	131.8642	BECKHAM CO 230.00 - ELK CITY 230KV 230KV CKT 1
2	10G	G07_005	TO->FROM	FPL SWITCH - WOODWARD 138KV CKT 1	133	153	0.04691	120.9754	GRAPEVINE INTERCHANGE - STATELINE INTERCHANGE 230KV CKT 1
2	10G	G07_005	TO->FROM	FPL SWITCH - WOODWARD 138KV CKT 1	133	153	0.04691	131.8555	ELK CITY 230KV (ELKCTY-6) 230/138/13.8KV TRANSFORMER CKT 1
3	10G	G07_005	TO->FROM	FPL SWITCH - WOODWARD 138KV CKT 1	133	153	0.04519	118.0589	PP-005
5	10G	G07_005	TO->FROM	FPL SWITCH - WOODWARD 138KV CKT 1	133	153	0.04517	104.5751	PP-005
2	10G	G07_005	TO->FROM	FPL SWITCH - WOODWARD 138KV CKT 1	133	153	0.04514	132.677	PP-005
5	10G	G07_005	TO->FROM	FPL SWITCH - WOODWARD 138KV CKT 1	133	153	0.04476	102.2629	SPP-SWPS-03B
2	10G	G07_005	TO->FROM	FPL SWITCH - WOODWARD 138KV CKT 1	133	153	0.04475	121.5565	SPP-SWPS-03B
5	10G	G07_005	TO->FROM	FPL SWITCH - WOODWARD 138KV CKT 1	133	153	0.04462	112.6557	ELK CITY 230KV (ELKCTY-6) 230/138/13.8KV TRANSFORMER CKT 1
5	10G	G07_005	TO->FROM	FPL SWITCH - WOODWARD 138KV CKT 1	133	153	0.04462	112.6639	BECKHAM CO 230.00 - ELK CITY 230KV 230KV CKT 1

Group Dispatch Scenario	SEASON	SOURCE	DIRECTION	MONTCOMMONNAME	RATEA	RATEB	TDF	LOADING%	CONTNAME
5	10G	G07_005	TO->FROM	FPL SWITCH - WOODWARD 138KV CKT 1	133	153	0.04462	101.6593	GRAPEVINE INTERCHANGE - STATELINE INTERCHANGE 230KV CKT 1
5	10G	G07_005	TO->FROM	FPL SWITCH - WOODWARD 138KV CKT 1	133	153	0.04462	101.6188	BECKHAM CO 230.00 - STATELINE INTERCHANGE 230KV CKT 1
2	10G	G07_005	TO->FROM	FPL SWITCH - WOODWARD 138KV CKT 1	133	153	0.04461	120.6768	BECKHAM CO 230.00 - STATELINE INTERCHANGE 230KV CKT 1
2	10G	G07_005	TO->FROM	FPL SWITCH - WOODWARD 138KV CKT 1	133	153	0.04461	131.4615	ELK CITY 230KV (ELKCTY-6) 230/138/13.8KV TRANSFORMER CKT 1
2	10G	G07_005	TO->FROM	FPL SWITCH - WOODWARD 138KV CKT 1	133	153	0.04461	120.7068	GRAPEVINE INTERCHANGE - STATELINE INTERCHANGE 230KV CKT 1
2	10G	G07_005	TO->FROM	FPL SWITCH - WOODWARD 138KV CKT 1	133	153	0.04461	131.4643	BECKHAM CO 230.00 - ELK CITY 230KV 230KV CKT 1
5	10G	G07_005	TO->FROM	FPL SWITCH - WOODWARD 138KV CKT 1	133	153	0.04392	107.484	TATONGA EHV 345.00 - WWRDEHV7 345.00 345KV CKT 1
5	10G	G07_005	TO->FROM	FPL SWITCH - WOODWARD 138KV CKT 1	133	153	0.04392	120.5301	NORTHWEST - TATONGA EHV 345.00 345KV CKT 1
2	10G	G07_005	TO->FROM	FPL SWITCH - WOODWARD 138KV CKT 1	133	153	0.04391	138.0116	TATONGA EHV 345.00 - WWRDEHV7 345.00 345KV CKT 1
2	10G	G07_005	TO->FROM	FPL SWITCH - WOODWARD 138KV CKT 1	133	153	0.04391	150.9249	NORTHWEST - TATONGA EHV 345.00 345KV CKT 1
5	10G	G07_005	TO->FROM	FPL SWITCH - WOODWARD 138KV CKT 1	133	153	0.042	108.529	PP-004
2	10G	G07_005	TO->FROM	FPL SWITCH - WOODWARD 138KV CKT 1	133	153	0.04198	138.522	PP-004
5	10G	G07_005	TO->FROM	FPL SWITCH - WOODWARD 138KV CKT 1	133	153	0.03964	102.8339	PP-005
2	10G	G07_005	TO->FROM	FPL SWITCH - WOODWARD 138KV CKT 1	133	153	0.03961	132.1268	PP-005
2	10G	G07_005	TO->FROM	FPL SWITCH - WOODWARD 138KV CKT 1	133	153	0.0381	116.2812	GRAPEVINE INTERCHANGE - NICHOLS STATION 230KV CKT 1
6	10G	G07_005	TO->FROM	FPL SWITCH - WOODWARD 138KV CKT 1	133	153	0.0378	103.6113	LAWTON EASTSIDE - OKLAUNION 345KV CKT 1
3	10G	G07_005	TO->FROM	FPL SWITCH - WOODWARD 138KV CKT 1	133	153	0.03772	109.0416	LAWTON EASTSIDE - OKLAUNION 345KV CKT 1
5	10G	G07_005	TO->FROM	FPL SWITCH - WOODWARD 138KV CKT 1	133	153	0.03768	106.9611	LAWTON EASTSIDE - OKLAUNION 345KV CKT 1
2	10G	G07_005	TO->FROM	FPL SWITCH - WOODWARD 138KV CKT 1	133	153	0.03766	116.7903	G05-15T 345.00 - OKLAUNION 345KV CKT 1
2	10G	G07_005	TO->FROM	FPL SWITCH - WOODWARD 138KV CKT 1	133	153	0.03766	113.8468	G05-15T 345.00 - TUCO INTERCHANGE 345KV CKT 1
2	10G	G07_005	TO->FROM	FPL SWITCH - WOODWARD 138KV CKT 1	133	153	0.03766	126.9661	LAWTON EASTSIDE - OKLAUNION 345KV CKT 1
3	10G	G07_005	TO->FROM	FPL SWITCH - WOODWARD 138KV CKT 1	133	153	0.03684	107.3417	DEWEY - IODINE 138KV CKT 1
3	10G	G07_005	TO->FROM	FPL SWITCH - WOODWARD 138KV CKT 1	133	153	0.03684	108.502	IODINE - WWRDEHV4 138.00 138KV CKT 1
2	10G	G07_005	TO->FROM	FPL SWITCH - WOODWARD 138KV CKT 1	133	153	0.03682	123.6773	IODINE - WWRDEHV4 138.00 138KV CKT 1
2	10G	G07_005	TO->FROM	FPL SWITCH - WOODWARD 138KV CKT 1	133	153	0.03682	122.5298	DEWEY - IODINE 138KV CKT 1
2	10G	G07_005	TO->FROM	FPL SWITCH - WOODWARD 138KV CKT 1	133	153	0.0344	115.7736	GRAPEVINE INTERCHANGE - NICHOLS STATION 230KV CKT 1
20	14WP	G07_005	FROM->TO	EAST PLANT INTERCHANGE - MANHATTAN SUB 115KV CKT 1	120	154	0.03435	101.2919	EAST PLANT INTERCHANGE - PIERCE STREET TAP 115KV CKT 1
6	10G	G07_005	TO->FROM	FPL SWITCH - WOODWARD 138KV CKT 1	133	153	0.03434	100.1109	WOODWARD (WOODWRD2) 138/69/13.2KV TRANSFORMER CKT 1
3	10G	G07_005	TO->FROM	FPL SWITCH - WOODWARD 138KV CKT 1	133	153	0.03427	103.0948	WOODWARD - WOODWARD 69KV CKT 1
3	10G	G07_005	TO->FROM	FPL SWITCH - WOODWARD 138KV CKT 1	133	153	0.03427	116.1487	WOODWARD (WOODWRD2) 138/69/13.2KV TRANSFORMER CKT 1
5	10G	G07_005	TO->FROM	FPL SWITCH - WOODWARD 138KV CKT 1	133	153	0.03426	105.493	WOODWARD (WOODWRD2) 138/69/13.2KV TRANSFORMER CKT 1
2	10G	G07_005	TO->FROM	FPL SWITCH - WOODWARD 138KV CKT 1	133	153	0.03425	117.2225	WOODWARD - WOODWARD 69KV CKT 1
2	10G	G07_005	TO->FROM	FPL SWITCH - WOODWARD 138KV CKT 1	133	153	0.03425	130.3005	WOODWARD (WOODWRD2) 138/69/13.2KV TRANSFORMER CKT 1
2	10G	G07_005	TO->FROM	FPL SWITCH - WOODWARD 138KV CKT 1	133	153	0.03414	108.3936	COMANCH5 345.00 - WWRDEHV7 345.00 345KV CKT 2
2	10G	G07_005	TO->FROM	FPL SWITCH - WOODWARD 138KV CKT 1	133	153	0.03414	108.3936	COMANCH5 345.00 - WWRDEHV7 345.00 345KV CKT 1
2	10G	G07_005	TO->FROM	FPL SWITCH - WOODWARD 138KV CKT 1	133	153	0.03363	109.3439	FINNEY SWITCHING STATION - STEVENS CO 345.00 345KV CKT 1
5	10G	G07_005	TO->FROM	FPL SWITCH - WOODWARD 138KV CKT 1	133	153	0.03346	105.3803	LAWTON EASTSIDE - OKLAUNION 345KV CKT 1
2	10G	G07_005	TO->FROM	FPL SWITCH - WOODWARD 138KV CKT 1	133	153	0.03345	113.2595	G05-15T 345.00 - TUCO INTERCHANGE 345KV CKT 1
2	10G	G07_005	TO->FROM	FPL SWITCH - WOODWARD 138KV CKT 1	133	153	0.03345	126.1891	LAWTON EASTSIDE - OKLAUNION 345KV CKT 1
2	10G	G07_005	TO->FROM	FPL SWITCH - WOODWARD 138KV CKT 1	133	153	0.03345	116.1673	G05-15T 345.00 - OKLAUNION 345KV CKT 1
2	10G	G07_005	TO->FROM	FPL SWITCH - WOODWARD 138KV CKT 1	133	153	0.03343	109.7732	MED-LDG5 345.00 - WICHITA 345KV CKT 1
2	10G	G07_005	TO->FROM	FPL SWITCH - WOODWARD 138KV CKT 1	133	153	0.03343	109.7732	MED-LDG5 345.00 - WICHITA 345KV CKT 2
2	10G	G07_005	TO->FROM	FPL SWITCH - WOODWARD 138KV CKT 1	133	153	0.03251	108.388	COMANCH5 345.00 - MED-LDG5 345.00 345KV CKT 1
2	10G	G07_005	TO->FROM	FPL SWITCH - WOODWARD 138KV CKT 1	133	153	0.03251	108.388	COMANCH5 345.00 - MED-LDG5 345.00 345KV CKT 2
3	10G	G07_005	FROM->TO	CLEARWATER - GILL ENERGY CENTER WEST 138KV CKT 1	110	110	0.03242	107.3164	PP-005
3	10G	G07_005	TO->FROM	CLEARWATER - MILAN TAP 138KV CKT 1	110	110	0.03242	117.847	PP-005
3	10G	G07_005	FROM->TO	HARPER - MILAN TAP 138KV CKT 1	95.6	95.6	0.03242	145.745	PP-005
1	10G	G07_005	TO->FROM	CLEARWATER - MILAN TAP 138KV CKT 1	110	110	0.03242	107.7224	PP-005
1	10G	G07_005	FROM->TO	HARPER - MILAN TAP 138KV CKT 1	95.6	95.6	0.03242	134.1493	PP-005

Group Dispatch Scenario	SEASON	SOURCE	DIRECTION	MONTCOMMONNAME	RATEA	RATEB	TDF	LOADING%	CONTNAME
5	10G	G07_005	FROM->TO	HARPER - MILAN TAP 138KV CKT 1	95.6	95.6	0.03239	112.455	PP-005
2	10G	G07_005	TO->FROM	CLEARWATER - MILAN TAP 138KV CKT 1	110	110	0.03236	107.0316	PP-005
2	10G	G07_005	FROM->TO	HARPER - MILAN TAP 138KV CKT 1	95.6	95.6	0.03236	133.3466	PP-005
2	10G	G07_005	TO->FROM	FPL SWITCH - WOODWARD 138KV CKT 1	133	153	0.03224	105.2578	MINGO - RED WILLOW 345KV CKT 1
2	10G	G07_005	TO->FROM	FPL SWITCH - WOODWARD 138KV CKT 1	133	153	0.03199	106.2933	MINGO - SETAB 345KV CKT 1
2	10G	G07_005	TO->FROM	FPL SWITCH - WOODWARD 138KV CKT 1	133	153	0.03193	107.563	KNOLL345 345.00 - SPEARVILLE 345KV CKT 1
2	10G	G07_005	TO->FROM	FPL SWITCH - WOODWARD 138KV CKT 1	133	153	0.03133	105.1984	AXTELL - KNOLL345 345.00 345KV CKT 1
5	10G	G07_005	FROM->TO	HARPER - MILAN TAP 138KV CKT 1	95.6	95.6	0.03117	111.8206	PP-005
2	10G	G07_005	FROM->TO	HARPER - MILAN TAP 138KV CKT 1	95.6	95.6	0.03114	133.1428	PP-005
2	10G	G07_005	TO->FROM	CLEARWATER - MILAN TAP 138KV CKT 1	110	110	0.03114	106.8548	PP-005
2	10G	G07_005	TO->FROM	FPL SWITCH - WOODWARD 138KV CKT 1	133	153	0.03112	121.8739	DEWEY - IODINE 138KV CKT 1
2	10G	G07_005	TO->FROM	FPL SWITCH - WOODWARD 138KV CKT 1	133	153	0.03112	123.0314	IODINE - WWRDEHV4 138.00 138KV CKT 1
2	10G	G07_005	TO->FROM	FPL SWITCH - WOODWARD 138KV CKT 1	133	153	0.03086	105.7545	FARGO JCT - WOODWARD 69KV CKT 1
2	10G	G07_005	TO->FROM	FPL SWITCH - WOODWARD 138KV CKT 1	133	153	0.03078	109.3337	G08-13T 345.00 - WOODRING 345KV CKT 1
2	10G	G07_005	TO->FROM	FPL SWITCH - WOODWARD 138KV CKT 1	133	153	0.03078	105.6361	G07-25T 345.00 - WICHITA 345KV CKT 1
2	10G	G07_005	TO->FROM	FPL SWITCH - WOODWARD 138KV CKT 1	133	153	0.03078	107.3404	G07-25T 345.00 - G08-13T 345.00 345KV CKT 1
2	10G	G07_005	TO->FROM	FPL SWITCH - WOODWARD 138KV CKT 1	133	153	0.03039	105.8461	CIMARRON - NORTHWEST 345KV CKT 1
2	10G	G07_005	TO->FROM	FPL SWITCH - WOODWARD 138KV CKT 1	133	153	0.03038	105.5246	GRAND ISLAND - SWEETWATER 345KV CKT 1
2	10G	G07_005	TO->FROM	FPL SWITCH - WOODWARD 138KV CKT 1	133	153	0.03034	105.6677	ELK CITY - FALCON ROAD 138KV CKT 1
2	10G	G07_005	TO->FROM	FPL SWITCH - WOODWARD 138KV CKT 1	133	153	0.03018	105.2973	WRTOD400
3	10G	G07_005	TO->FROM	FPL SWITCH - WOODWARD 138KV CKT 1	133	153	0.03009	104.5285	BASE CASE
3	10G	G07_005	TO->FROM	FPL SWITCH - WOODWARD 138KV CKT 1	133	153	0.03009	103.7955	GEN560183 1-G07-51 0.6000
2	10G	G07_005	TO->FROM	FPL SWITCH - WOODWARD 138KV CKT 1	133	153	0.03007	118.7333	BASE CASE
2	10G	G07_005	TO->FROM	FPL SWITCH - WOODWARD 138KV CKT 1	133	153	0.03007	100.7099	GEN645001 1-FORT CALHOUN 1
2	10G	G07_005	TO->FROM	FPL SWITCH - WOODWARD 138KV CKT 1	133	153	0.03007	100.3857	GEN560066 1-G06-49-2 0.6000
2	10G	G07_005	TO->FROM	FPL SWITCH - WOODWARD 138KV CKT 1	133	153	0.03007	105.6877	GEN560152 1-G06-46 0.6000
2	10G	G07_005	TO->FROM	FPL SWITCH - WOODWARD 138KV CKT 1	133	153	0.03007	106.7773	GEN515225 1-MUSKOGEE 5G
2	10G	G07_005	TO->FROM	FPL SWITCH - WOODWARD 138KV CKT 1	133	153	0.03007	100.7653	GEN560067 1-G06-49-3 0.6000
2	10G	G07_005	TO->FROM	FPL SWITCH - WOODWARD 138KV CKT 1	133	153	0.03007	106.7619	GEN515226 1-MUSKOGEE 6G
2	10G	G07_005	TO->FROM	FPL SWITCH - WOODWARD 138KV CKT 1	133	153	0.03007	108.238	GEN514806 1-SOONER UNIT 2
2	10G	G07_005	TO->FROM	FPL SWITCH - WOODWARD 138KV CKT 1	133	153	0.03007	108.7793	GEN515790 1-FPLWND2
2	10G	G07_005	TO->FROM	FPL SWITCH - WOODWARD 138KV CKT 1	133	153	0.03007	115.9935	GEN560183 1-G07-51 0.6000
2	10G	G07_005	TO->FROM	FPL SWITCH - WOODWARD 138KV CKT 1	133	153	0.03007	106.7343	GEN515223 1-MUSKOGEE 4G
2	10G	G07_005	TO->FROM	FPL SWITCH - WOODWARD 138KV CKT 1	133	153	0.03007	100.3116	GEN527882 1-CUNNINGHAM GEN #2 20 KV
2	10G	G07_005	TO->FROM	FPL SWITCH - WOODWARD 138KV CKT 1	133	153	0.03007	100.9736	GEN532751 1-WOLF CREEK GENERATING STATION UNIT 1
2	10G	G07_005	TO->FROM	FPL SWITCH - WOODWARD 138KV CKT 1	133	153	0.03007	100.2116	GEN539670 4-JUDSON LARGE GENERATOR
2	10G	G07_005	TO->FROM	FPL SWITCH - WOODWARD 138KV CKT 1	133	153	0.03007	100.0742	GEN532652 1-JEFFREY ENERGY CENTER UNIT 2
2	10G	G07_005	TO->FROM	FPL SWITCH - WOODWARD 138KV CKT 1	133	153	0.03007	100.954	GEN542957 1-IATAN UNIT #1
2	10G	G07_005	TO->FROM	FPL SWITCH - WOODWARD 138KV CKT 1	133	153	0.03007	100.0649	GEN532651 1-JEFFREY ENERGY CENTER UNIT 1
2	10G	G07_005	TO->FROM	FPL SWITCH - WOODWARD 138KV CKT 1	133	153	0.03007	100.3908	GEN560032 1-G02-06 0.6000
2	10G	G07_005	TO->FROM	FPL SWITCH - WOODWARD 138KV CKT 1	133	153	0.03007	100.108	GEN527903 1-HOBBS PLANT #3 (ST)
2	10G	G07_005	TO->FROM	FPL SWITCH - WOODWARD 138KV CKT 1	133	153	0.03007	101.1998	GEN560035 1-G03-13-1 0.6000
2	10G	G07_005	TO->FROM	FPL SWITCH - WOODWARD 138KV CKT 1	133	153	0.03007	101.0027	GEN527902 1-HOBBS PLANT #2 (CT)
2	10G	G07_005	TO->FROM	FPL SWITCH - WOODWARD 138KV CKT 1	133	153	0.03007	100.5353	GEN560049 1-G05-17-3 34.500
2	10G	G07_005	TO->FROM	FPL SWITCH - WOODWARD 138KV CKT 1	133	153	0.03007	101.1998	GEN560036 1-G03-13-2 0.6000
2	10G	G07_005	TO->FROM	FPL SWITCH - WOODWARD 138KV CKT 1	133	153	0.03007	106.5534	GEN520947 1-HUGO1
2	10G	G07_005	TO->FROM	FPL SWITCH - WOODWARD 138KV CKT 1	133	153	0.03007	100.5353	GEN560045 1-G05-17-1 34.500
2	10G	G07_005	TO->FROM	FPL SWITCH - WOODWARD 138KV CKT 1	133	153	0.03007	101.0284	GEN527165 1-Mustang Gen #5
2	10G	G07_005	TO->FROM	FPL SWITCH - WOODWARD 138KV CKT 1	133	153	0.03007	101.0258	GEN527164 1-MUSTANG GEN #4 22 KV
2	10G	G07_005	TO->FROM	FPL SWITCH - WOODWARD 138KV CKT 1	133	153	0.03007	100.889	GEN527163 1-MUSTANG GEN #3 22 KV
2	10G	G07_005	TO->FROM	FPL SWITCH - WOODWARD 138KV CKT 1	133	153	0.03007	100.0739	GEN532653 1-JEFFREY ENERGY CENTER UNIT 3
2	10G	G07_005	TO->FROM	FPL SWITCH - WOODWARD 138KV CKT 1	133	153	0.03007	101.0321	GEN527162 1-MUSTANG GEN #2
2	10G	G07_005	TO->FROM	FPL SWITCH - WOODWARD 138KV CKT 1	133	153	0.03007	101.0321	GEN527161 1-MUSTANG GEN #1
2	10G	G07_005	TO->FROM	FPL SWITCH - WOODWARD 138KV CKT 1	133	153	0.03007	100.1916	GEN560055 1-G06-44-2 0.6000
2	10G	G07_005	TO->FROM	FPL SWITCH - WOODWARD 138KV CKT 1	133	153	0.03007	105.1952	GEN521116 1-RHWIND4 138.00
2	10G	G07_005	TO->FROM	FPL SWITCH - WOODWARD 138KV CKT 1	133	153	0.03007	100.3352	GEN560065 1-G06-49-1 0.6000
2	10G	G07_005	TO->FROM	FPL SWITCH - WOODWARD 138KV CKT 1	133	153	0.03007	101.0027	GEN527901 1-HOBBS PLANT #1 (CT)
2	10G	G07_005	TO->FROM	FPL SWITCH - WOODWARD 138KV CKT 1	133	153	0.03007	106.9292	GEN501801 1-DOLET HILLS UNIT1
2	10G	G07_005	TO->FROM	FPL SWITCH - WOODWARD 138KV CKT 1	133	153	0.03007	106.0014	GEN511839 1-NORTHEASTERN STATION #2
2	10G	G07_005	TO->FROM	FPL SWITCH - WOODWARD 138KV CKT 1	133	153	0.03007	106.2396	GEN509406 1-WELSH #3
2	10G	G07_005	TO->FROM	FPL SWITCH - WOODWARD 138KV CKT 1	133	153	0.03007	106.2394	GEN509405 1-WELSH #2
2	10G	G07_005	TO->FROM	FPL SWITCH - WOODWARD 138KV CKT 1	133	153	0.03007	106.2393	GEN509404 1-WELSH #1

Group Dispatch Scenario	SEASON	SOURCE	DIRECTION	MONTCOMMONNAME	RATEA	RATEB	TDF	LOADING%	CONTNAME
2	10G	G07_005	TO->FROM	FPL SWITCH - WOODWARD 138KV CKT 1	133	153	0.03007	106.868	GEN509403 1-PIRKEY GENERATION
2	10G	G07_005	TO->FROM	FPL SWITCH - WOODWARD 138KV CKT 1	133	153	0.03007	107.4885	GEN336821 1-GRAND GULF UNIT
2	10G	G07_005	TO->FROM	FPL SWITCH - WOODWARD 138KV CKT 1	133	153	0.03007	105.8264	GEN509394 1-FLINT CREEK
2	10G	G07_005	TO->FROM	FPL SWITCH - WOODWARD 138KV CKT 1	133	153	0.03007	105.8308	GEN511840 1-NORTHEASTERN STATION #3
2	10G	G07_005	TO->FROM	FPL SWITCH - WOODWARD 138KV CKT 1	133	153	0.03007	105.3809	GEN501812 1-RODEMACHER UNIT 2
2	10G	G07_005	TO->FROM	FPL SWITCH - WOODWARD 138KV CKT 1	133	153	0.03007	105.532	GEN338146 1-INDEPENDENCE UNIT #2
2	10G	G07_005	TO->FROM	FPL SWITCH - WOODWARD 138KV CKT 1	133	153	0.03007	107.6139	GEN337911 1-ARKANSAS NUCLEAR ONE UNIT #2
2	10G	G07_005	TO->FROM	FPL SWITCH - WOODWARD 138KV CKT 1	133	153	0.03007	110.8397	GEN514805 1-SOONER UNIT 1
2	10G	G07_005	TO->FROM	FPL SWITCH - WOODWARD 138KV CKT 1	133	153	0.03007	106.8966	GEN337910 1-ARKANSAS NUCLEAR ONE UNIT #1
2	10G	G07_005	TO->FROM	FPL SWITCH - WOODWARD 138KV CKT 1	133	153	0.03007	106.0534	GEN337653 1-WHITE BLUFF UNIT #2
2	10G	G07_005	TO->FROM	FPL SWITCH - WOODWARD 138KV CKT 1	133	153	0.03007	106.777	GEN335831 1-RIVERBEND UNIT#1
2	10G	G07_005	TO->FROM	FPL SWITCH - WOODWARD 138KV CKT 1	133	153	0.03007	106.0456	GEN337652 1-WHITE BLUFF UNIT #1
2	10G	G07_005	TO->FROM	FPL SWITCH - WOODWARD 138KV CKT 1	133	153	0.03007	105.3711	GEN337041 1-GERALD ANDRUS
2	10G	G07_005	TO->FROM	FPL SWITCH - WOODWARD 138KV CKT 1	133	153	0.03007	107.3299	GEN336153 1-WATERFORD UNIT#3
2	10G	G07_005	TO->FROM	FPL SWITCH - WOODWARD 138KV CKT 1	133	153	0.03007	105.7033	GEN501813 1-RODEMACHER UNIT 3
2	10G	G07_005	TO->FROM	FPL SWITCH - WOODWARD 138KV CKT 1	133	153	0.03007	106.9845	GEN520922 1-SLEEPING 138.00
2	10G	G07_005	TO->FROM	FPL SWITCH - WOODWARD 138KV CKT 1	133	153	0.03007	105.7195	GEN512689 1-GRDA1 GSU1 22
2	10G	G07_005	TO->FROM	FPL SWITCH - WOODWARD 138KV CKT 1	133	153	0.03007	105.8033	GEN511841 1-NORTHEASTERN STATION #4
2	10G	G07_005	TO->FROM	FPL SWITCH - WOODWARD 138KV CKT 1	133	153	0.03007	106.2269	GEN512688 2-GRDA1 GSU2 22
2	10G	G07_005	TO->FROM	FPL SWITCH - WOODWARD 138KV CKT 1	133	153	0.03007	108.1232	GEN511848 1-SOUTHWESTERN STATION #3
2	10G	G07_005	TO->FROM	FPL SWITCH - WOODWARD 138KV CKT 1	133	153	0.03007	106.2157	GEN511842 1-RIVERSIDE STATION #1
2	10G	G07_005	TO->FROM	FPL SWITCH - WOODWARD 138KV CKT 1	133	153	0.03007	106.2706	GEN511843 1-RIVERSIDE STATION #2
2	10G	G07_005	TO->FROM	FPL SWITCH - WOODWARD 138KV CKT 1	133	153	0.03005	105.5927	AMRN_OUTS6
2	10G	G07_005	TO->FROM	FPL SWITCH - WOODWARD 138KV CKT 1	133	153	0.02995	101.0716	OGE3TERM4
2	10G	G07_005	TO->FROM	FPL SWITCH - WOODWARD 138KV CKT 1	133	153	0.02983	101.0671	ALVA - KNOBHILL 69KV CKT 1
2	10G	G07_005	TO->FROM	FPL SWITCH - WOODWARD 138KV CKT 1	133	153	0.02941	100.8241	LYDIA - VALLIANT 345KV CKT 1
2	10G	G07_005	TO->FROM	FPL SWITCH - WOODWARD 138KV CKT 1	133	153	0.02941	101.2153	OKEENE - WATONGA SW 69KV CKT 1
2	10G	G07_005	TO->FROM	FPL SWITCH - WOODWARD 138KV CKT 1	133	153	0.02941	100.914	SPP-AEPW-01
2	10G	G07_005	TO->FROM	FPL SWITCH - WOODWARD 138KV CKT 1	133	153	0.02908	107.8209	COMANCH5 345.00 - WWRDEHV7 345.00 345KV CKT 2
2	10G	G07_005	TO->FROM	FPL SWITCH - WOODWARD 138KV CKT 1	133	153	0.02908	107.8209	COMANCH5 345.00 - WWRDEHV7 345.00 345KV CKT 1
5	10G	G07_021	TO->FROM	FPL SWITCH - WOODWARD 138KV CKT 1	133	153	0.09804	120.5301	NORTHWEST - TATONGA EHV 345.00 345KV CKT 1
2	10G	G07_021	TO->FROM	FPL SWITCH - WOODWARD 138KV CKT 1	133	153	0.09803	150.9249	NORTHWEST - TATONGA EHV 345.00 345KV CKT 1
6	10G	G07_021	TO->FROM	FPL SWITCH - WOODWARD 138KV CKT 1	133	153	0.09747	112.5493	NORTHWEST - TATONGA EHV 345.00 345KV CKT 1
4	10G	G07_021	TO->FROM	FPL SWITCH - WOODWARD 138KV CKT 1	133	153	0.09739	110.2918	NORTHWEST - TATONGA EHV 345.00 345KV CKT 1
3	10G	G07_021	TO->FROM	FPL SWITCH - WOODWARD 138KV CKT 1	133	153	0.09737	131.1963	NORTHWEST - TATONGA EHV 345.00 345KV CKT 1
5	10G	G07_021	TO->FROM	FPL SWITCH - WOODWARD 138KV CKT 1	133	153	0.09735	122.3248	NORTHWEST - TATONGA EHV 345.00 345KV CKT 1
2	10G	G07_021	TO->FROM	FPL SWITCH - WOODWARD 138KV CKT 1	133	153	0.09733	151.4358	NORTHWEST - TATONGA EHV 345.00 345KV CKT 1
5	10G	G07_021	TO->FROM	FPL SWITCH - WOODWARD 138KV CKT 1	133	153	0.07788	106.1716	PP-002
2	10G	G07_021	TO->FROM	FPL SWITCH - WOODWARD 138KV CKT 1	133	153	0.07786	131.6566	PP-002
5	10G	G07_021	TO->FROM	FPL SWITCH - WOODWARD 138KV CKT 1	133	153	0.07746	107.8422	PP-002
2	10G	G07_021	TO->FROM	FPL SWITCH - WOODWARD 138KV CKT 1	133	153	0.07743	132.2336	PP-002
5	10G	G07_021	TO->FROM	FPL SWITCH - WOODWARD 138KV CKT 1	133	153	0.06124	108.529	PP-004
2	10G	G07_021	TO->FROM	FPL SWITCH - WOODWARD 138KV CKT 1	133	153	0.06121	138.522	PP-004
6	10G	G07_021	TO->FROM	FPL SWITCH - WOODWARD 138KV CKT 1	133	153	0.06087	100.7719	PP-004
3	10G	G07_021	TO->FROM	FPL SWITCH - WOODWARD 138KV CKT 1	133	153	0.06077	117.4055	PP-004
5	10G	G07_021	TO->FROM	FPL SWITCH - WOODWARD 138KV CKT 1	133	153	0.06074	110.271	PP-004
2	10G	G07_021	TO->FROM	FPL SWITCH - WOODWARD 138KV CKT 1	133	153	0.06071	139.0566	PP-004
5	10G	G07_021	TO->FROM	FPL SWITCH - WOODWARD 138KV CKT 1	133	153	0.05866	102.8339	PP-005
2	10G	G07_021	TO->FROM	FPL SWITCH - WOODWARD 138KV CKT 1	133	153	0.05864	132.1268	PP-005
3	10G	G07_021	TO->FROM	FPL SWITCH - WOODWARD 138KV CKT 1	133	153	0.0582	118.0589	PP-005
5	10G	G07_021	TO->FROM	FPL SWITCH - WOODWARD 138KV CKT 1	133	153	0.05818	104.5751	PP-005
2	10G	G07_021	TO->FROM	FPL SWITCH - WOODWARD 138KV CKT 1	133	153	0.05815	132.677	PP-005
2	10G	G07_021	TO->FROM	FPL SWITCH - WOODWARD 138KV CKT 1	133	153	0.05242	121.8739	DEWEY - IODINE 138KV CKT 1
2	10G	G07_021	TO->FROM	FPL SWITCH - WOODWARD 138KV CKT 1	133	153	0.05242	123.0314	IODINE - WWRDEHV4 138.00 138KV CKT 1
3	10G	G07_021	TO->FROM	FPL SWITCH - WOODWARD 138KV CKT 1	133	153	0.05199	108.502	IODINE - WWRDEHV4 138.00 138KV CKT 1
3	10G	G07_021	TO->FROM	FPL SWITCH - WOODWARD 138KV CKT 1	133	153	0.05199	107.3417	DEWEY - IODINE 138KV CKT 1
2	10G	G07_021	TO->FROM	FPL SWITCH - WOODWARD 138KV CKT 1	133	153	0.05197	122.5298	DEWEY - IODINE 138KV CKT 1
2	10G	G07_021	TO->FROM	FPL SWITCH - WOODWARD 138KV CKT 1	133	153	0.05197	123.6773	IODINE - WWRDEHV4 138.00 138KV CKT 1
5	10G	G07_021	TO->FROM	FPL SWITCH - WOODWARD 138KV CKT 1	133	153	0.05053	103.6646	WOODWARD (WOODWRD2) 138/69/13.2KV TRANSFORMER CKT 1
2	10G	G07_021	TO->FROM	FPL SWITCH - WOODWARD 138KV CKT 1	133	153	0.05052	129.6591	WOODWARD (WOODWRD2) 138/69/13.2KV TRANSFORMER CKT 1

Group Dispatch Scenario	SEASON	SOURCE	DIRECTION	MONTCOMMONNAME	RATEA	RATEB	TDF	LOADING%	CONTNAME
2	10G	G07_021	TO->FROM	FPL SWITCH - WOODWARD 138KV CKT 1	133	153	0.05052	116.5829	WOODWARD - WOODWARD 69KV CKT 1
2	10G	G07_021	TO->FROM	FPL SWITCH - WOODWARD 138KV CKT 1	133	153	0.05041	107.8209	COMANCH5 345.00 - WWRDEHV7 345.00 345KV CKT 2
2	10G	G07_021	TO->FROM	FPL SWITCH - WOODWARD 138KV CKT 1	133	153	0.05041	107.8209	COMANCH5 345.00 - WWRDEHV7 345.00 345KV CKT 1
6	10G	G07_021	TO->FROM	FPL SWITCH - WOODWARD 138KV CKT 1	133	153	0.05016	100.1109	WOODWARD (WOODWRD2) 138/69/13.2KV TRANSFORMER CKT 1
3	10G	G07_021	TO->FROM	FPL SWITCH - WOODWARD 138KV CKT 1	133	153	0.05009	103.0948	WOODWARD - WOODWARD 69KV CKT 1
3	10G	G07_021	TO->FROM	FPL SWITCH - WOODWARD 138KV CKT 1	133	153	0.05009	116.1487	WOODWARD (WOODWRD2) 138/69/13.2KV TRANSFORMER CKT 1
5	10G	G07_021	TO->FROM	FPL SWITCH - WOODWARD 138KV CKT 1	133	153	0.05009	105.493	WOODWARD (WOODWRD2) 138/69/13.2KV TRANSFORMER CKT 1
2	10G	G07_021	TO->FROM	FPL SWITCH - WOODWARD 138KV CKT 1	133	153	0.05007	130.3005	WOODWARD (WOODWRD2) 138/69/13.2KV TRANSFORMER CKT 1
2	10G	G07_021	TO->FROM	FPL SWITCH - WOODWARD 138KV CKT 1	133	153	0.05007	117.2225	WOODWARD - WOODWARD 69KV CKT 1
2	10G	G07_021	TO->FROM	FPL SWITCH - WOODWARD 138KV CKT 1	133	153	0.05001	108.3936	COMANCH5 345.00 - WWRDEHV7 345.00 345KV CKT 2
2	10G	G07_021	TO->FROM	FPL SWITCH - WOODWARD 138KV CKT 1	133	153	0.05001	108.3936	COMANCH5 345.00 - WWRDEHV7 345.00 345KV CKT 1
2	10G	G07_021	TO->FROM	FPL SWITCH - WOODWARD 138KV CKT 1	133	153	0.04982	100.4631	MIDPT_BUS 7 345.00 - WWRDEHV7 345.00 345KV CKT 1
2	10G	G07_021	TO->FROM	FPL SWITCH - WOODWARD 138KV CKT 1	133	153	0.04913	101.3058	MIDPT_BUS 7 345.00 - WWRDEHV7 345.00 345KV CKT 1
2	10G	G07_021	TO->FROM	FPL SWITCH - WOODWARD 138KV CKT 1	133	153	0.04913	100.617	MIDPT_BUS 7 345.00 - TUCO INTERCHANGE 345KV CKT 1
2	10G	G07_021	TO->FROM	FPL SWITCH - WOODWARD 138KV CKT 1	133	153	0.04784	109.2019	MED-LDG5 345.00 - WICHITA 345KV CKT 2
2	10G	G07_021	TO->FROM	FPL SWITCH - WOODWARD 138KV CKT 1	133	153	0.04784	109.2019	MED-LDG5 345.00 - WICHITA 345KV CKT 1
2	10G	G07_021	TO->FROM	FPL SWITCH - WOODWARD 138KV CKT 1	133	153	0.04753	105.2674	CIMARRON - NORTHWEST 345KV CKT 1
2	10G	G07_021	TO->FROM	FPL SWITCH - WOODWARD 138KV CKT 1	133	153	0.04743	109.7732	MED-LDG5 345.00 - WICHITA 345KV CKT 2
2	10G	G07_021	TO->FROM	FPL SWITCH - WOODWARD 138KV CKT 1	133	153	0.04743	109.7732	MED-LDG5 345.00 - WICHITA 345KV CKT 1
2	10G	G07_021	TO->FROM	FPL SWITCH - WOODWARD 138KV CKT 1	133	153	0.0471	105.8461	CIMARRON - NORTHWEST 345KV CKT 1
2	10G	G07_021	TO->FROM	FPL SWITCH - WOODWARD 138KV CKT 1	133	153	0.04704	107.8172	COMANCH5 345.00 - MED-LDG5 345.00 345KV CKT 2
2	10G	G07_021	TO->FROM	FPL SWITCH - WOODWARD 138KV CKT 1	133	153	0.04704	107.8172	COMANCH5 345.00 - MED-LDG5 345.00 345KV CKT 1
2	10G	G07_021	TO->FROM	FPL SWITCH - WOODWARD 138KV CKT 1	133	153	0.04663	108.388	COMANCH5 345.00 - MED-LDG5 345.00 345KV CKT 2
2	10G	G07_021	TO->FROM	FPL SWITCH - WOODWARD 138KV CKT 1	133	153	0.04663	108.388	COMANCH5 345.00 - MED-LDG5 345.00 345KV CKT 1
2	10G	G07_021	TO->FROM	FPL SWITCH - WOODWARD 138KV CKT 1	133	153	0.04638	107.0002	KNOLL345 345.00 - SPEARVILLE 345KV CKT 1
2	10G	G07_021	TO->FROM	FPL SWITCH - WOODWARD 138KV CKT 1	133	153	0.04608	104.6931	MINGO - RED WILLOW 345KV CKT 1
2	10G	G07_021	TO->FROM	FPL SWITCH - WOODWARD 138KV CKT 1	133	153	0.04597	107.563	KNOLL345 345.00 - SPEARVILLE 345KV CKT 1
2	10G	G07_021	TO->FROM	FPL SWITCH - WOODWARD 138KV CKT 1	133	153	0.04587	105.1758	FARGO JCT - WOODWARD 69KV CKT 1
2	10G	G07_021	TO->FROM	FPL SWITCH - WOODWARD 138KV CKT 1	133	153	0.04585	105.7432	MINGO - SETAB 345KV CKT 1
2	10G	G07_021	TO->FROM	FPL SWITCH - WOODWARD 138KV CKT 1	133	153	0.0457	107.3907	DEWEY - TALOGA 138KV CKT 1
2	10G	G07_021	TO->FROM	FPL SWITCH - WOODWARD 138KV CKT 1	133	153	0.04566	105.2578	MINGO - RED WILLOW 345KV CKT 1
2	10G	G07_021	TO->FROM	FPL SWITCH - WOODWARD 138KV CKT 1	133	153	0.04553	109.0362	FINNEY SWITCHING STATION - STEVENS CO 345.00 345KV CKT 1
2	10G	G07_021	TO->FROM	FPL SWITCH - WOODWARD 138KV CKT 1	133	153	0.04553	105.1984	AXTELL - KNOLL345 345.00 345KV CKT 1
2	10G	G07_021	TO->FROM	FPL SWITCH - WOODWARD 138KV CKT 1	133	153	0.04546	105.7545	FARGO JCT - WOODWARD 69KV CKT 1
2	10G	G07_021	TO->FROM	FPL SWITCH - WOODWARD 138KV CKT 1	133	153	0.04544	106.2933	MINGO - SETAB 345KV CKT 1
5	10G	G07_021	TO->FROM	FPL SWITCH - WOODWARD 138KV CKT 1	133	153	0.04537	105.3803	LAWTON EASTSIDE - OKLAUNION 345KV CKT 1
2	10G	G07_021	TO->FROM	FPL SWITCH - WOODWARD 138KV CKT 1	133	153	0.04535	113.2595	G05-15T 345.00 - TUCO INTERCHANGE 345KV CKT 1
2	10G	G07_021	TO->FROM	FPL SWITCH - WOODWARD 138KV CKT 1	133	153	0.04535	126.1891	LAWTON EASTSIDE - OKLAUNION 345KV CKT 1
2	10G	G07_021	TO->FROM	FPL SWITCH - WOODWARD 138KV CKT 1	133	153	0.04535	116.1673	G05-15T 345.00 - OKLAUNION 345KV CKT 1
2	10G	G07_021	TO->FROM	FPL SWITCH - WOODWARD 138KV CKT 1	133	153	0.04528	108.0076	DEWEY - TALOGA 138KV CKT 1
6	10G	G07_021	TO->FROM	FPL SWITCH - WOODWARD 138KV CKT 1	133	153	0.04518	103.6113	LAWTON EASTSIDE - OKLAUNION 345KV CKT 1
3	10G	G07_021	TO->FROM	FPL SWITCH - WOODWARD 138KV CKT 1	133	153	0.0451	109.0416	LAWTON EASTSIDE - OKLAUNION 345KV CKT 1
2	10G	G07_021	TO->FROM	FPL SWITCH - WOODWARD 138KV CKT 1	133	153	0.04507	109.3439	FINNEY SWITCHING STATION - STEVENS CO 345.00 345KV CKT 1
5	10G	G07_021	TO->FROM	FPL SWITCH - WOODWARD 138KV CKT 1	133	153	0.04506	106.9611	LAWTON EASTSIDE - OKLAUNION 345KV CKT 1
2	10G	G07_021	TO->FROM	FPL SWITCH - WOODWARD 138KV CKT 1	133	153	0.04504	126.9661	LAWTON EASTSIDE - OKLAUNION 345KV CKT 1
2	10G	G07_021	TO->FROM	FPL SWITCH - WOODWARD 138KV CKT 1	133	153	0.04504	113.8468	G05-15T 345.00 - TUCO INTERCHANGE 345KV CKT 1
2	10G	G07_021	TO->FROM	FPL SWITCH - WOODWARD 138KV CKT 1	133	153	0.04504	116.7903	G05-15T 345.00 - OKLAUNION 345KV CKT 1
2	10G	G07_021	TO->FROM	FPL SWITCH - WOODWARD 138KV CKT 1	133	153	0.04496	104.9633	GRAND ISLAND - SWEETWATER 345KV CKT 1
2	10G	G07_021	TO->FROM	FPL SWITCH - WOODWARD 138KV CKT 1	133	153	0.04485	104.7297	WRTOD400
2	10G	G07_021	TO->FROM	FPL SWITCH - WOODWARD 138KV CKT 1	133	153	0.04475	104.6407	GEN521116 1-RHWIND4 138.00
2	10G	G07_021	TO->FROM	FPL SWITCH - WOODWARD 138KV CKT 1	133	153	0.04475	100.4418	GEN527163 1-MUSTANG GEN #3 22 KV
2	10G	G07_021	TO->FROM	FPL SWITCH - WOODWARD 138KV CKT 1	133	153	0.04475	106.6933	GEN336153 1-WATERFORD UNIT#3
2	10G	G07_021	TO->FROM	FPL SWITCH - WOODWARD 138KV CKT 1	133	153	0.04475	105.6638	GEN509405 1-WELSH #2
2	10G	G07_021	TO->FROM	FPL SWITCH - WOODWARD 138KV CKT 1	133	153	0.04475	100.577	GEN527162 1-MUSTANG GEN #2
2	10G	G07_021	TO->FROM	FPL SWITCH - WOODWARD 138KV CKT 1	133	153	0.04475	105.664	GEN509406 1-WELSH #3
2	10G	G07_021	TO->FROM	FPL SWITCH - WOODWARD 138KV CKT 1	133	153	0.04475	100.577	GEN527161 1-MUSTANG GEN #1

Group Dispatch Scenario	SEASON	SOURCE	DIRECTION	MONTCOMMONNAME	RATEA	RATEB	TDF	LOADING%	CONTNAME
2	10G	G07_021	TO->FROM	FPL SWITCH - WOODWARD 138KV CKT 1	133	153	0.04475	106.1491	GEN335831 1-RIVERBEND UNIT#1
2	10G	G07_021	TO->FROM	FPL SWITCH - WOODWARD 138KV CKT 1	133	153	0.04475	106.196	GEN515225 1-MUSKOGEE 5G
2	10G	G07_021	TO->FROM	FPL SWITCH - WOODWARD 138KV CKT 1	133	153	0.04475	105.2446	GEN511840 1-NORTHEASTERN STATION #3
2	10G	G07_021	TO->FROM	FPL SWITCH - WOODWARD 138KV CKT 1	133	153	0.04475	105.2174	GEN511841 1-NORTHEASTERN STATION #4
2	10G	G07_021	TO->FROM	FPL SWITCH - WOODWARD 138KV CKT 1	133	153	0.04475	105.6351	GEN511842 1-RIVERSIDE STATION #1
2	10G	G07_021	TO->FROM	FPL SWITCH - WOODWARD 138KV CKT 1	133	153	0.04475	105.6898	GEN511843 1-RIVERSIDE STATION #2
2	10G	G07_021	TO->FROM	FPL SWITCH - WOODWARD 138KV CKT 1	133	153	0.04475	105.9899	GEN520947 1-HUGO1
2	10G	G07_021	TO->FROM	FPL SWITCH - WOODWARD 138KV CKT 1	133	153	0.04475	107.5862	GEN511848 1-SOUTHWESTERN STATION #3
2	10G	G07_021	TO->FROM	FPL SWITCH - WOODWARD 138KV CKT 1	133	153	0.04475	106.4108	GEN520922 1-SLEEPING 138.00
2	10G	G07_021	TO->FROM	FPL SWITCH - WOODWARD 138KV CKT 1	133	153	0.04475	106.2806	GEN337910 1-ARKANSAS NUCLEAR ONE UNIT #1
2	10G	G07_021	TO->FROM	FPL SWITCH - WOODWARD 138KV CKT 1	133	153	0.04475	100.5504	GEN527902 1-HOBBS PLANT #2 (CT)
2	10G	G07_021	TO->FROM	FPL SWITCH - WOODWARD 138KV CKT 1	133	153	0.04475	106.9881	GEN337911 1-ARKANSAS NUCLEAR ONE UNIT #2
2	10G	G07_021	TO->FROM	FPL SWITCH - WOODWARD 138KV CKT 1	133	153	0.04475	104.9108	GEN338146 1-INDEPENDENCE UNIT #2
2	10G	G07_021	TO->FROM	FPL SWITCH - WOODWARD 138KV CKT 1	133	153	0.04475	100.5504	GEN527901 1-HOBBS PLANT #1 (CT)
2	10G	G07_021	TO->FROM	FPL SWITCH - WOODWARD 138KV CKT 1	133	153	0.04475	105.4389	GEN337653 1-WHITE BLUFF UNIT #2
2	10G	G07_021	TO->FROM	FPL SWITCH - WOODWARD 138KV CKT 1	133	153	0.04475	106.3417	GEN501801 1-DOLET HILLS UNIT1
2	10G	G07_021	TO->FROM	FPL SWITCH - WOODWARD 138KV CKT 1	133	153	0.04475	100.574	GEN527165 1-Mustang Gen #5
2	10G	G07_021	TO->FROM	FPL SWITCH - WOODWARD 138KV CKT 1	133	153	0.04475	105.6637	GEN509404 1-WELSH #1
2	10G	G07_021	TO->FROM	FPL SWITCH - WOODWARD 138KV CKT 1	133	153	0.04475	104.7885	GEN501812 1-RODEMACHER UNIT 2
2	10G	G07_021	TO->FROM	FPL SWITCH - WOODWARD 138KV CKT 1	133	153	0.04475	105.1071	GEN501813 1-RODEMACHER UNIT 3
2	10G	G07_021	TO->FROM	FPL SWITCH - WOODWARD 138KV CKT 1	133	153	0.04475	104.7593	GEN337041 1-GERALD ANDRUS
2	10G	G07_021	TO->FROM	FPL SWITCH - WOODWARD 138KV CKT 1	133	153	0.04475	105.2362	GEN509394 1-FLINT CREEK
2	10G	G07_021	TO->FROM	FPL SWITCH - WOODWARD 138KV CKT 1	133	153	0.04475	100.5715	GEN527164 1-MUSTANG GEN #4 22 KV
2	10G	G07_021	TO->FROM	FPL SWITCH - WOODWARD 138KV CKT 1	133	153	0.04475	106.8418	GEN336821 1-GRAND GULF UNIT
2	10G	G07_021	TO->FROM	FPL SWITCH - WOODWARD 138KV CKT 1	133	153	0.04475	105.4311	GEN337652 1-WHITE BLUFF UNIT #1
2	10G	G07_021	TO->FROM	FPL SWITCH - WOODWARD 138KV CKT 1	133	153	0.04475	106.1532	GEN515223 1-MUSKOGEE 4G
2	10G	G07_021	TO->FROM	FPL SWITCH - WOODWARD 138KV CKT 1	133	153	0.04475	105.4163	GEN511839 1-NORTHEASTERN STATION #2
2	10G	G07_021	TO->FROM	FPL SWITCH - WOODWARD 138KV CKT 1	133	153	0.04475	106.2864	GEN509403 1-PIRKEY GENERATION
2	10G	G07_021	TO->FROM	FPL SWITCH - WOODWARD 138KV CKT 1	133	153	0.04475	105.1355	GEN512689 1-GRDA1 GSU1 22
2	10G	G07_021	TO->FROM	FPL SWITCH - WOODWARD 138KV CKT 1	133	153	0.04475	105.6383	GEN512688 2-GRDA1 GSU2 22
2	10G	G07_021	TO->FROM	FPL SWITCH - WOODWARD 138KV CKT 1	133	153	0.04475	107.6471	GEN514806 1-SOONER UNIT 2
2	10G	G07_021	TO->FROM	FPL SWITCH - WOODWARD 138KV CKT 1	133	153	0.04475	110.2485	GEN514805 1-SOONER UNIT 1
2	10G	G07_021	TO->FROM	FPL SWITCH - WOODWARD 138KV CKT 1	133	153	0.04475	106.1806	GEN515226 1-MUSKOGEE 6G
2	10G	G07_021	TO->FROM	FPL SWITCH - WOODWARD 138KV CKT 1	133	153	0.04475	108.2115	GEN515790 1-FPLWIND2
2	10G	G07_021	TO->FROM	FPL SWITCH - WOODWARD 138KV CKT 1	133	153	0.04475	100.6005	GEN560036 1-G03-13-2 0.6000
2	10G	G07_021	TO->FROM	FPL SWITCH - WOODWARD 138KV CKT 1	133	153	0.04475	100.2899	GEN532751 1-WOLF CREEK GENERATING STATION UNIT 1
2	10G	G07_021	TO->FROM	FPL SWITCH - WOODWARD 138KV CKT 1	133	153	0.04475	100.3224	GEN542957 1-IATAN UNIT #1
2	10G	G07_021	TO->FROM	FPL SWITCH - WOODWARD 138KV CKT 1	133	153	0.04475	100.1575	GEN560067 1-G06-49-3 0.6000
2	10G	G07_021	TO->FROM	FPL SWITCH - WOODWARD 138KV CKT 1	133	153	0.04475	100.6005	GEN560035 1-G03-13-1 0.6000
2	10G	G07_021	TO->FROM	FPL SWITCH - WOODWARD 138KV CKT 1	133	153	0.04475	100.0881	GEN645001 1-FORT CALHOUN 1
2	10G	G07_021	TO->FROM	FPL SWITCH - WOODWARD 138KV CKT 1	133	153	0.04475	105.12	GEN560152 1-G06-46 0.6000
2	10G	G07_021	TO->FROM	FPL SWITCH - WOODWARD 138KV CKT 1	133	153	0.04475	115.4238	GEN560183 1-G07-51 0.6000
2	10G	G07_021	TO->FROM	FPL SWITCH - WOODWARD 138KV CKT 1	133	153	0.04475	118.0828	BASE CASE
2	10G	G07_021	TO->FROM	FPL SWITCH - WOODWARD 138KV CKT 1	133	153	0.04472	100.3692	WEATHERFORD JCT. - WEATHERFORD SOUTHEAST 138KV CKT 1
2	10G	G07_021	TO->FROM	FPL SWITCH - WOODWARD 138KV CKT 1	133	153	0.04464	105.026	AMRN_OUTS6
2	10G	G07_021	TO->FROM	FPL SWITCH - WOODWARD 138KV CKT 1	133	153	0.04464	115.7736	GRAPEVINE INTERCHANGE - NICHOLS STATION 230KV CKT 1
2	10G	G07_021	TO->FROM	FPL SWITCH - WOODWARD 138KV CKT 1	133	153	0.04463	100.497	OGE3TERM4
2	10G	G07_021	TO->FROM	FPL SWITCH - WOODWARD 138KV CKT 1	133	153	0.04456	105.5246	GRAND ISLAND - SWEETWATER 345KV CKT 1
2	10G	G07_021	TO->FROM	FPL SWITCH - WOODWARD 138KV CKT 1	133	153	0.04455	100.4914	ALVA - KNOBHILL 69KV CKT 1
2	10G	G07_021	TO->FROM	FPL SWITCH - WOODWARD 138KV CKT 1	133	153	0.04451	105.0563	G07-25T 345.00 - WICHITA 345KV CKT 1
2	10G	G07_021	TO->FROM	FPL SWITCH - WOODWARD 138KV CKT 1	133	153	0.04451	106.7537	G07-25T 345.00 - G08-13T 345.00 345KV CKT 1
2	10G	G07_021	TO->FROM	FPL SWITCH - WOODWARD 138KV CKT 1	133	153	0.04451	108.753	G08-13T 345.00 - WOODRING 345KV CKT 1
2	10G	G07_021	TO->FROM	FPL SWITCH - WOODWARD 138KV CKT 1	133	153	0.04445	105.2973	WRTOD400
5	10G	G07_021	TO->FROM	FPL SWITCH - WOODWARD 138KV CKT 1	133	153	0.04444	112.6639	BECKHAM CO 230.00 - ELK CITY 230KV 230KV CKT 1
5	10G	G07_021	TO->FROM	FPL SWITCH - WOODWARD 138KV CKT 1	133	153	0.04444	101.6188	BECKHAM CO 230.00 - STATELINE INTERCHANGE 230KV CKT 1
5	10G	G07_021	TO->FROM	FPL SWITCH - WOODWARD 138KV CKT 1	133	153	0.04444	101.6593	GRAPEVINE INTERCHANGE - STATELINE INTERCHANGE 230KV CKT 1
5	10G	G07_021	TO->FROM	FPL SWITCH - WOODWARD 138KV CKT 1	133	153	0.04444	102.2629	SPP-SWPS-03B

Appendix H

Group Dispatch Scenario	SEASON	SOURCE	DIRECTION	MONTCOMMONNAME	RATEA	RATEB	TDF	LOADING%	CONTNAME
5	10G	G07_021	TO->FROM	FPL SWITCH - WOODWARD 138KV CKT 1	133	153	0.04444	112.6557	ELK CITY 230KV (ELKCTY-6) 230/138/13.8KV TRANSFORMER CKT 1
2	10G	G07_021	TO->FROM	FPL SWITCH - WOODWARD 138KV CKT 1	133	153	0.04443	120.7068	GRAPEVINE INTERCHANGE - STATELINE INTERCHANGE 230KV CKT 1
2	10G	G07_021	TO->FROM	FPL SWITCH - WOODWARD 138KV CKT 1	133	153	0.04443	131.4615	ELK CITY 230KV (ELKCTY-6) 230/138/13.8KV TRANSFORMER CKT 1
2	10G	G07_021	TO->FROM	FPL SWITCH - WOODWARD 138KV CKT 1	133	153	0.04443	120.6768	BECKHAM CO 230.00 - STATELINE INTERCHANGE 230KV CKT 1
2	10G	G07_021	TO->FROM	FPL SWITCH - WOODWARD 138KV CKT 1	133	153	0.04443	121.5565	SPP-SWPS-03B
2	10G	G07_021	TO->FROM	FPL SWITCH - WOODWARD 138KV CKT 1	133	153	0.04443	131.4643	BECKHAM CO 230.00 - ELK CITY 230KV 230KV CKT 1
2	10G	G07_021	TO->FROM	FPL SWITCH - WOODWARD 138KV CKT 1	133	153	0.0444	105.105	ELK CITY - FALCON ROAD 138KV CKT 1
3	10G	G07_021	TO->FROM	FPL SWITCH - WOODWARD 138KV CKT 1	133	153	0.04437	104.5285	BASE CASE
3	10G	G07_021	TO->FROM	FPL SWITCH - WOODWARD 138KV CKT 1	133	153	0.04437	103.7955	GEN560183 1-G07-51 0.6000
2	10G	G07_021	TO->FROM	FPL SWITCH - WOODWARD 138KV CKT 1	133	153	0.04435	118.7333	BASE CASE
2	10G	G07_021	TO->FROM	FPL SWITCH - WOODWARD 138KV CKT 1	133	153	0.04435	116.2812	GRAPEVINE INTERCHANGE - NICHOLS STATION 230KV CKT 1
2	10G	G07_021	TO->FROM	FPL SWITCH - WOODWARD 138KV CKT 1	133	153	0.04435	100.3908	GEN560032 1-G02-06 0.6000
2	10G	G07_021	TO->FROM	FPL SWITCH - WOODWARD 138KV CKT 1	133	153	0.04435	100.7653	GEN560067 1-G06-49-3 0.6000
2	10G	G07_021	TO->FROM	FPL SWITCH - WOODWARD 138KV CKT 1	133	153	0.04435	107.3299	GEN336153 1-WATERFORD UNIT#3
2	10G	G07_021	TO->FROM	FPL SWITCH - WOODWARD 138KV CKT 1	133	153	0.04435	100.7099	GEN645001 1-FORT CALHOUN 1
2	10G	G07_021	TO->FROM	FPL SWITCH - WOODWARD 138KV CKT 1	133	153	0.04435	106.777	GEN335831 1-RIVERBEND UNIT#1
2	10G	G07_021	TO->FROM	FPL SWITCH - WOODWARD 138KV CKT 1	133	153	0.04435	100.954	GEN542957 1-IATAN UNIT #1
2	10G	G07_021	TO->FROM	FPL SWITCH - WOODWARD 138KV CKT 1	133	153	0.04435	107.4885	GEN336821 1-GRAND GULF UNIT
2	10G	G07_021	TO->FROM	FPL SWITCH - WOODWARD 138KV CKT 1	133	153	0.04435	101.1998	GEN560035 1-G03-13-1 0.6000
2	10G	G07_021	TO->FROM	FPL SWITCH - WOODWARD 138KV CKT 1	133	153	0.04435	100.3857	GEN560066 1-G06-49-2 0.6000
2	10G	G07_021	TO->FROM	FPL SWITCH - WOODWARD 138KV CKT 1	133	153	0.04435	115.9935	GEN560183 1-G07-51 0.6000
2	10G	G07_021	TO->FROM	FPL SWITCH - WOODWARD 138KV CKT 1	133	153	0.04435	105.6877	GEN560152 1-G06-46 0.6000
2	10G	G07_021	TO->FROM	FPL SWITCH - WOODWARD 138KV CKT 1	133	153	0.04435	100.5353	GEN560045 1-G05-17-1 34.500
2	10G	G07_021	TO->FROM	FPL SWITCH - WOODWARD 138KV CKT 1	133	153	0.04435	100.1916	GEN560055 1-G06-44-2 0.6000
2	10G	G07_021	TO->FROM	FPL SWITCH - WOODWARD 138KV CKT 1	133	153	0.04435	100.5353	GEN560049 1-G05-17-3 34.500
2	10G	G07_021	TO->FROM	FPL SWITCH - WOODWARD 138KV CKT 1	133	153	0.04435	100.3352	GEN560065 1-G06-49-1 0.6000
2	10G	G07_021	TO->FROM	FPL SWITCH - WOODWARD 138KV CKT 1	133	153	0.04435	101.1998	GEN560036 1-G03-13-2 0.6000
2	10G	G07_021	TO->FROM	FPL SWITCH - WOODWARD 138KV CKT 1	133	153	0.04435	106.2157	GEN511842 1-RIVERSIDE STATION #1
2	10G	G07_021	TO->FROM	FPL SWITCH - WOODWARD 138KV CKT 1	133	153	0.04435	106.2394	GEN509405 1-WELSH #2
2	10G	G07_021	TO->FROM	FPL SWITCH - WOODWARD 138KV CKT 1	133	153	0.04435	106.2396	GEN509406 1-WELSH #3
2	10G	G07_021	TO->FROM	FPL SWITCH - WOODWARD 138KV CKT 1	133	153	0.04435	101.0321	GEN527162 1-MUSTANG GEN #2
2	10G	G07_021	TO->FROM	FPL SWITCH - WOODWARD 138KV CKT 1	133	153	0.04435	106.0014	GEN511839 1-NORTHEASTERN STATION #2
2	10G	G07_021	TO->FROM	FPL SWITCH - WOODWARD 138KV CKT 1	133	153	0.04435	101.0321	GEN527161 1-MUSTANG GEN #1
2	10G	G07_021	TO->FROM	FPL SWITCH - WOODWARD 138KV CKT 1	133	153	0.04435	105.8308	GEN511840 1-NORTHEASTERN STATION #3
2	10G	G07_021	TO->FROM	FPL SWITCH - WOODWARD 138KV CKT 1	133	153	0.04435	105.1952	GEN521116 1-RHWIND4 138.00
2	10G	G07_021	TO->FROM	FPL SWITCH - WOODWARD 138KV CKT 1	133	153	0.04435	105.8033	GEN511841 1-NORTHEASTERN STATION #4
2	10G	G07_021	TO->FROM	FPL SWITCH - WOODWARD 138KV CKT 1	133	153	0.04435	107.6139	GEN337911 1-ARKANSAS NUCLEAR ONE UNIT #2
2	10G	G07_021	TO->FROM	FPL SWITCH - WOODWARD 138KV CKT 1	133	153	0.04435	106.9845	GEN520922 1-SLEEPING 138.00
2	10G	G07_021	TO->FROM	FPL SWITCH - WOODWARD 138KV CKT 1	133	153	0.04435	101.0258	GEN527164 1-MUSTANG GEN #4 22 KV
2	10G	G07_021	TO->FROM	FPL SWITCH - WOODWARD 138KV CKT 1	133	153	0.04435	108.7793	GEN515790 1-FPLWND2
2	10G	G07_021	TO->FROM	FPL SWITCH - WOODWARD 138KV CKT 1	133	153	0.04435	106.2706	GEN511843 1-RIVERSIDE STATION #2
2	10G	G07_021	TO->FROM	FPL SWITCH - WOODWARD 138KV CKT 1	133	153	0.04435	106.7619	GEN515226 1-MUSKOGEE 6G
2	10G	G07_021	TO->FROM	FPL SWITCH - WOODWARD 138KV CKT 1	133	153	0.04435	108.1232	GEN511848 1-SOUTHWESTERN STATION #3
2	10G	G07_021	TO->FROM	FPL SWITCH - WOODWARD 138KV CKT 1	133	153	0.04435	106.7773	GEN515225 1-MUSKOGEE 5G
2	10G	G07_021	TO->FROM	FPL SWITCH - WOODWARD 138KV CKT 1	133	153	0.04435	105.7195	GEN512689 1-GRDA1 GSU1 22
2	10G	G07_021	TO->FROM	FPL SWITCH - WOODWARD 138KV CKT 1	133	153	0.04435	106.7343	GEN515223 1-MUSKOGEE 4G
2	10G	G07_021	TO->FROM	FPL SWITCH - WOODWARD 138KV CKT 1	133	153	0.04435	108.238	GEN514806 1-SOONER UNIT 2
2	10G	G07_021	TO->FROM	FPL SWITCH - WOODWARD 138KV CKT 1	133	153	0.04435	110.8397	GEN514805 1-SOONER UNIT 1
2	10G	G07_021	TO->FROM	FPL SWITCH - WOODWARD 138KV CKT 1	133	153	0.04435	106.5534	GEN520947 1-HUGO1
2	10G	G07_021	TO->FROM	FPL SWITCH - WOODWARD 138KV CKT 1	133	153	0.04435	106.9292	GEN501801 1-DOLET HILLS UNIT1
2	10G	G07_021	TO->FROM	FPL SWITCH - WOODWARD 138KV CKT 1	133	153	0.04435	105.3711	GEN337041 1-GERALD ANDRUS
2	10G	G07_021	TO->FROM	FPL SWITCH - WOODWARD 138KV CKT 1	133	153	0.04435	100.9736	GEN532751 1-WOLF CREEK GENERATING STATION UNIT 1
2	10G	G07_021	TO->FROM	FPL SWITCH - WOODWARD 138KV CKT 1	133	153	0.04435	106.0456	GEN337652 1-WHITE BLUFF UNIT #1
2	10G	G07_021	TO->FROM	FPL SWITCH - WOODWARD 138KV CKT 1	133	153	0.04435	106.0534	GEN337653 1-WHITE BLUFF UNIT #2
2	10G	G07_021	TO->FROM	FPL SWITCH - WOODWARD 138KV CKT 1	133	153	0.04435	100.0739	GEN532653 1-JEFFREY ENERGY CENTER UNIT 3
2	10G	G07_021	TO->FROM	FPL SWITCH - WOODWARD 138KV CKT 1	133	153	0.04435	106.8966	GEN337910 1-ARKANSAS NUCLEAR ONE UNIT #1
2	10G	G07_021	TO->FROM	FPL SWITCH - WOODWARD 138KV CKT 1	133	153	0.04435	100.0742	GEN532652 1-JEFFREY ENERGY CENTER UNIT 2

Group Dispatch Scenario	SEASON	SOURCE	DIRECTION	MONTCOMMONNAME	RATEA	RATEB	TDF	LOADING%	CONTNAME
2	10G	G07_021	TO->FROM	FPL SWITCH - WOODWARD 138KV CKT 1	133	153	0.04435	106.2269	GEN512688 2-GRDA1 GSU2 22
2	10G	G07_021	TO->FROM	FPL SWITCH - WOODWARD 138KV CKT 1	133	153	0.04435	100.0649	GEN532651 1-JEFFREY ENERGY CENTER UNIT 1
2	10G	G07_021	TO->FROM	FPL SWITCH - WOODWARD 138KV CKT 1	133	153	0.04435	100.889	GEN527163 1-MUSTANG GEN #3 22 KV
2	10G	G07_021	TO->FROM	FPL SWITCH - WOODWARD 138KV CKT 1	133	153	0.04435	105.532	GEN338146 1-INDEPENDENCE UNIT #2
2	10G	G07_021	TO->FROM	FPL SWITCH - WOODWARD 138KV CKT 1	133	153	0.04435	106.2393	GEN509404 1-WELSH #1
2	10G	G07_021	TO->FROM	FPL SWITCH - WOODWARD 138KV CKT 1	133	153	0.04435	101.0027	GEN527902 1-HOBBS PLANT #2 (CT)
2	10G	G07_021	TO->FROM	FPL SWITCH - WOODWARD 138KV CKT 1	133	153	0.04435	105.3809	GEN501812 1-RODEMACHER UNIT 2
2	10G	G07_021	TO->FROM	FPL SWITCH - WOODWARD 138KV CKT 1	133	153	0.04435	101.0027	GEN527901 1-HOBBS PLANT #1 (CT)
2	10G	G07_021	TO->FROM	FPL SWITCH - WOODWARD 138KV CKT 1	133	153	0.04435	100.3116	GEN527882 1-CUNNINGHAM GEN #2 20 KV
2	10G	G07_021	TO->FROM	FPL SWITCH - WOODWARD 138KV CKT 1	133	153	0.04435	105.7033	GEN501813 1-RODEMACHER UNIT 3
2	10G	G07_021	TO->FROM	FPL SWITCH - WOODWARD 138KV CKT 1	133	153	0.04435	105.8264	GEN509394 1-FLINT CREEK
2	10G	G07_021	TO->FROM	FPL SWITCH - WOODWARD 138KV CKT 1	133	153	0.04435	101.0284	GEN527165 1-Mustang Gen #5
2	10G	G07_021	TO->FROM	FPL SWITCH - WOODWARD 138KV CKT 1	133	153	0.04435	106.868	GEN509403 1-PIRKEY GENERATION
2	10G	G07_021	TO->FROM	FPL SWITCH - WOODWARD 138KV CKT 1	133	153	0.04435	100.2116	GEN539670 4-JUDSON LARGE GENERATOR
2	10G	G07_021	TO->FROM	FPL SWITCH - WOODWARD 138KV CKT 1	133	153	0.04435	100.108	GEN527903 1-HOBBS PLANT #3 (ST)
3	10G	G07_021	TO->FROM	FPL SWITCH - WOODWARD 138KV CKT 1	133	153	0.04431	109.9407	ELK CITY 230KV (ELKCTY-6) 230/138/13.8KV TRANSFORMER CKT 1
3	10G	G07_021	TO->FROM	FPL SWITCH - WOODWARD 138KV CKT 1	133	153	0.04431	109.9459	BECKHAM CO 230.00 - ELK CITY 230KV 230KV CKT 1
2	10G	G07_021	TO->FROM	FPL SWITCH - WOODWARD 138KV CKT 1	133	153	0.04431	100.9922	WEATHERFORD JCT. - WEATHERFORD SOUTHEAST 138KV CKT 1
5	10G	G07_021	TO->FROM	FPL SWITCH - WOODWARD 138KV CKT 1	133	153	0.04427	102.4427	GRAPEVINE INTERCHANGE - STATELINE INTERCHANGE 230KV CKT 1
5	10G	G07_021	TO->FROM	FPL SWITCH - WOODWARD 138KV CKT 1	133	153	0.04427	113.4847	BECKHAM CO 230.00 - ELK CITY 230KV 230KV CKT 1
5	10G	G07_021	TO->FROM	FPL SWITCH - WOODWARD 138KV CKT 1	133	153	0.04427	102.9974	SPP-SWPS-03B
5	10G	G07_021	TO->FROM	FPL SWITCH - WOODWARD 138KV CKT 1	133	153	0.04427	113.4768	ELK CITY 230KV (ELKCTY-6) 230/138/13.8KV TRANSFORMER CKT 1
5	10G	G07_021	TO->FROM	FPL SWITCH - WOODWARD 138KV CKT 1	133	153	0.04427	102.4097	BECKHAM CO 230.00 - STATELINE INTERCHANGE 230KV CKT 1
2	10G	G07_021	TO->FROM	FPL SWITCH - WOODWARD 138KV CKT 1	133	153	0.04426	121.8661	SPP-SWPS-03B
2	10G	G07_021	TO->FROM	FPL SWITCH - WOODWARD 138KV CKT 1	133	153	0.04425	120.9754	GRAPEVINE INTERCHANGE - STATELINE INTERCHANGE 230KV CKT 1
2	10G	G07_021	TO->FROM	FPL SWITCH - WOODWARD 138KV CKT 1	133	153	0.04425	131.8642	BECKHAM CO 230.00 - ELK CITY 230KV 230KV CKT 1
2	10G	G07_021	TO->FROM	FPL SWITCH - WOODWARD 138KV CKT 1	133	153	0.04425	120.9478	BECKHAM CO 230.00 - STATELINE INTERCHANGE 230KV CKT 1
2	10G	G07_021	TO->FROM	FPL SWITCH - WOODWARD 138KV CKT 1	133	153	0.04425	131.8555	ELK CITY 230KV (ELKCTY-6) 230/138/13.8KV TRANSFORMER CKT 1
2	10G	G07_021	TO->FROM	FPL SWITCH - WOODWARD 138KV CKT 1	133	153	0.04424	105.5927	AMRN_OUTS6
2	10G	G07_021	TO->FROM	FPL SWITCH - WOODWARD 138KV CKT 1	133	153	0.04423	101.0716	OGE3TERM4
2	10G	G07_021	TO->FROM	FPL SWITCH - WOODWARD 138KV CKT 1	133	153	0.04415	101.0671	ALVA - KNOBHILL 69KV CKT 1
2	10G	G07_021	TO->FROM	FPL SWITCH - WOODWARD 138KV CKT 1	133	153	0.04412	100.6564	OKEENE - WATONGA SW 69KV CKT 1
2	10G	G07_021	TO->FROM	FPL SWITCH - WOODWARD 138KV CKT 1	133	153	0.0441	105.6361	G07-25T 345.00 - WICHITA 345KV CKT 1
2	10G	G07_021	TO->FROM	FPL SWITCH - WOODWARD 138KV CKT 1	133	153	0.0441	107.3404	G07-25T 345.00 - G08-13T 345.00 345KV CKT 1
2	10G	G07_021	TO->FROM	FPL SWITCH - WOODWARD 138KV CKT 1	133	153	0.0441	109.3337	G08-13T 345.00 - WOODRING 345KV CKT 1
2	10G	G07_021	TO->FROM	FPL SWITCH - WOODWARD 138KV CKT 1	133	153	0.04408	100.2202	LYDIA - VALLIANT 345KV CKT 1
2	10G	G07_021	TO->FROM	FPL SWITCH - WOODWARD 138KV CKT 1	133	153	0.04407	100.311	SPP-AEPW-01
2	10G	G07_021	TO->FROM	FPL SWITCH - WOODWARD 138KV CKT 1	133	153	0.04401	105.6677	ELK CITY - FALCON ROAD 138KV CKT 1
2	10G	G07_021	TO->FROM	FPL SWITCH - WOODWARD 138KV CKT 1	133	153	0.04373	101.2153	OKEENE - WATONGA SW 69KV CKT 1
2	10G	G07_021	TO->FROM	FPL SWITCH - WOODWARD 138KV CKT 1	133	153	0.04368	100.8241	LYDIA - VALLIANT 345KV CKT 1
2	10G	G07_021	TO->FROM	FPL SWITCH - WOODWARD 138KV CKT 1	133	153	0.04368	100.914	SPP-AEPW-01
2	10G	G07_021	TO->FROM	FPL SWITCH - WOODWARD 138KV CKT 1	133	153	0.04354	100.1551	HELENAT2 69.000 - SALINE 69KV CKT 1
2	10G	G07_021	TO->FROM	FPL SWITCH - WOODWARD 138KV CKT 1	133	153	0.04329	111.6982	WOODRING (WOODRNG2) 345/138/13.8KV TRANSFORMER CKT 1
2	10G	G07_021	TO->FROM	FPL SWITCH - WOODWARD 138KV CKT 1	133	153	0.04314	100.7181	HELENAT2 69.000 - SALINE 69KV CKT 1
2	10G	G07_021	TO->FROM	FPL SWITCH - WOODWARD 138KV CKT 1	133	153	0.04314	100.3264	KNOBHILL - SALINE 69KV CKT 1
3	10G	G07_021	TO->FROM	FPL SWITCH - WOODWARD 138KV CKT 1	133	153	0.0429	101.4462	WOODRING (WOODRNG2) 345/138/13.8KV TRANSFORMER CKT 1
2	10G	G07_021	TO->FROM	FPL SWITCH - WOODWARD 138KV CKT 1	133	153	0.04289	112.2775	WOODRING (WOODRNG2) 345/138/13.8KV TRANSFORMER CKT 1
2	10G	G07_021	TO->FROM	FPL SWITCH - WOODWARD 138KV CKT 1	133	153	0.04205	100.1539	DOVER SW - HENESSEY 138KV CKT 1
2	10G	G07_021	TO->FROM	FPL SWITCH - WOODWARD 138KV CKT 1	133	153	0.04165	100.7217	DOVER SW - HENESSEY 138KV CKT 1
1	10G	G07_021	TO->FROM	EL RENO - ROMAN NOSE 138KV CKT 1	133	153	0.03937	143.439	NORTHWEST - TATONGA EHV 345.00 345KV CKT 1
1	10G	G07_021	TO->FROM	GLASS MOUNTAIN - MOORELAND 138KV CKT 1	124	124	0.03293	108.7186	NORTHWEST - TATONGA EHV 345.00 345KV CKT 1

Appendix H

Group Dispatch Scenario	SEASON	SOURCE	DIRECTION	MONTCOMMONNAME	RATEA	RATEB	TDF	LOADING%	CONTNAME
5	10G	G07_021	FROM->TO	HARPER - MILAN TAP 138KV CKT 1	95.6	95.6	0.02905	111.8206	PP-005
2	10G	G07_021	FROM->TO	HARPER - MILAN TAP 138KV CKT 1	95.6	95.6	0.02902	133.1428	PP-005
2	10G	G07_021	TO->FROM	CLEARWATER - MILAN TAP 138KV CKT 1	110	110	0.02902	106.8548	PP-005
20	14WP	G07_025	FROM->TO	CLEARWATER - GILL ENERGY CENTER WEST 138KV CKT 1	110	110	0.02923	109.6908	BENTON - WICHITA 345KV CKT 1
7	10G	G07_032	FROM->TO	CLINTON JUNCTION - FOSS TAP 69KV CKT 1	72	72	0.11891	105.19	WEATHERFORD TAP - WEATHERFORD WIND FARM 138KV CKT 1
7	10G	G07_032	FROM->TO	THOMAS TAP - WEATHERFORD 69KV CKT 1	48	53	0.11891	105.3212	WEATHERFORD TAP - WEATHERFORD WIND FARM 138KV CKT 1
7	10G	G07_032	TO->FROM	CLINTON CITY - FOSS TAP 69KV CKT 1	48	53	0.11891	142.4171	WEATHERFORD TAP - WEATHERFORD WIND FARM 138KV CKT 1
7	10G	G07_032	FROM->TO	CLINTON CITY - THOMAS TAP 69KV CKT 1	49	55	0.11891	106.5723	WEATHERFORD TAP - WEATHERFORD WIND FARM 138KV CKT 1
7	10G	G07_032	TO->FROM	CLINTON CITY - FOSS TAP 69KV CKT 1	48	53	0.11891	134.7685	WEATHERFORD SOUTHEAST - WEATHERFORD TAP 138KV CKT 1
2	10G	G07_032	FROM->TO	LAWEASOKLUNI	425	425	0.03771	110.7	BASE CASE
5	10G	G07_032	FROM->TO	LAWEASOKLUNI	425	425	0.03761	120.5	BASE CASE
2	10G	G07_032	FROM->TO	LAWEASOKLUNI	425	425	0.03705	111.3	BASE CASE
5	10G	G07_032	FROM->TO	LAWEASOKLUNI	425	425	0.03698	122.1	BASE CASE
6	10G	G07_032	FROM->TO	LAWEASOKLUNI	425	425	0.03687	128.6	BASE CASE
5	10G	G07_034	FROM->TO	ELK CITY 230KV (ELKCTY-6) 230/138/13.8KV TRANSFORMER CKT 1	287	287	0.10637	102.82	G05-15T 345.00 - TUCO INTERCHANGE 345KV CKT 1
5	10G	G07_034	FROM->TO	ELK CITY 230KV (ELKCTY-6) 230/138/13.8KV TRANSFORMER CKT 1	287	287	0.10637	114.1123	LAWTON EASTSIDE - OKLAUNION 345KV CKT 1
5	10G	G07_034	FROM->TO	ELK CITY 230KV (ELKCTY-6) 230/138/13.8KV TRANSFORMER CKT 1	287	287	0.10637	103.8508	G05-15T 345.00 - OKLAUNION 345KV CKT 1
5	10G	G07_034	FROM->TO	ELK CITY 230KV (ELKCTY-6) 230/138/13.8KV TRANSFORMER CKT 1	287	287	0.10637	105.262	G05-15T 345.00 - OKLAUNION 345KV CKT 1
5	10G	G07_034	FROM->TO	ELK CITY 230KV (ELKCTY-6) 230/138/13.8KV TRANSFORMER CKT 1	287	287	0.10637	101.4979	G05-15T 345.00 - TUCO INTERCHANGE 345KV CKT 1
5	10G	G07_034	FROM->TO	ELK CITY 230KV (ELKCTY-6) 230/138/13.8KV TRANSFORMER CKT 1	287	287	0.10637	112.2883	LAWTON EASTSIDE - OKLAUNION 345KV CKT 1
2	10G	G07_034	FROM->TO	ELK CITY 230KV (ELKCTY-6) 230/138/13.8KV TRANSFORMER CKT 1	287	287	0.10636	100.3767	LAWTON EASTSIDE - OKLAUNION 345KV CKT 1
2	10G	G07_034	FROM->TO	ELK CITY 230KV (ELKCTY-6) 230/138/13.8KV TRANSFORMER CKT 1	287	287	0.10636	101.5926	LAWTON EASTSIDE - OKLAUNION 345KV CKT 1
5	10G	G07_034	FROM->TO	ELK CITY 230KV (ELKCTY-6) 230/138/13.8KV TRANSFORMER CKT 1	287	287	0.10125	100.5529	G05-15T 345.00 - OKLAUNION 345KV CKT 1
5	10G	G07_034	FROM->TO	ELK CITY 230KV (ELKCTY-6) 230/138/13.8KV TRANSFORMER CKT 1	287	287	0.10125	108.6027	LAWTON EASTSIDE - OKLAUNION 345KV CKT 1
5	10G	G07_034	FROM->TO	ELK CITY 230KV (ELKCTY-6) 230/138/13.8KV TRANSFORMER CKT 1	287	287	0.10125	110.2283	LAWTON EASTSIDE - OKLAUNION 345KV CKT 1
5	10G	G07_034	FROM->TO	ELK CITY 230KV (ELKCTY-6) 230/138/13.8KV TRANSFORMER CKT 1	287	287	0.10125	101.8244	G05-15T 345.00 - OKLAUNION 345KV CKT 1
5	10G	G07_034	FROM->TO	ELK CITY 230KV (ELKCTY-6) 230/138/13.8KV TRANSFORMER CKT 1	287	287	0.09642	103.8569	G05-17T 345.00 - POTTER COUNTY INTERCHANGE 345KV CKT 1
5	10G	G07_034	FROM->TO	ELK CITY 230KV (ELKCTY-6) 230/138/13.8KV TRANSFORMER CKT 1	287	287	0.09642	106.6511	G05-17T 345.00 - Hitchland Interchange 345KV CKT 1
5	10G	G07_034	FROM->TO	ELK CITY 230KV (ELKCTY-6) 230/138/13.8KV TRANSFORMER CKT 1	287	287	0.09642	105.1352	G05-17T 345.00 - Hitchland Interchange 345KV CKT 1
5	10G	G07_034	FROM->TO	ELK CITY 230KV (ELKCTY-6) 230/138/13.8KV TRANSFORMER CKT 1	287	287	0.09642	103.9259	POTTER COUNTY INTERCHANGE (WAUK 90343-A) 345/230/13.2KV TRANSFORMER CKT 1
5	10G	G07_034	FROM->TO	ELK CITY 230KV (ELKCTY-6) 230/138/13.8KV TRANSFORMER CKT 1	287	287	0.09642	102.4632	G05-17T 345.00 - POTTER COUNTY INTERCHANGE 345KV CKT 1
5	10G	G07_034	FROM->TO	ELK CITY 230KV (ELKCTY-6) 230/138/13.8KV TRANSFORMER CKT 1	287	287	0.09642	102.5299	POTTER COUNTY INTERCHANGE (WAUK 90343-A) 345/230/13.2KV TRANSFORMER CKT 1
5	10G	G07_034	FROM->TO	ELK CITY 230KV (ELKCTY-6) 230/138/13.8KV TRANSFORMER CKT 1	287	287	0.0963	111.8999	PP-001
5	10G	G07_034	FROM->TO	ELK CITY 230KV (ELKCTY-6) 230/138/13.8KV TRANSFORMER CKT 1	287	287	0.0963	110.1414	PP-001
2	10G	G07_034	FROM->TO	ELK CITY 230KV (ELKCTY-6) 230/138/13.8KV TRANSFORMER CKT 1	287	287	0.09629	110.6381	PP-001
2	10G	G07_034	FROM->TO	ELK CITY 230KV (ELKCTY-6) 230/138/13.8KV TRANSFORMER CKT 1	287	287	0.09629	112.4501	PP-001
5	10G	G07_034	FROM->TO	ELK CITY 230KV (ELKCTY-6) 230/138/13.8KV TRANSFORMER CKT 1	287	287	0.09448	110.8034	PP-001
5	10G	G07_034	FROM->TO	ELK CITY 230KV (ELKCTY-6) 230/138/13.8KV TRANSFORMER CKT 1	287	287	0.09448	109.0949	PP-001
2	10G	G07_034	FROM->TO	ELK CITY 230KV (ELKCTY-6) 230/138/13.8KV TRANSFORMER CKT 1	287	287	0.09446	110.9247	PP-001
2	10G	G07_034	FROM->TO	ELK CITY 230KV (ELKCTY-6) 230/138/13.8KV TRANSFORMER CKT 1	287	287	0.09446	112.7523	PP-001
5	10G	G07_034	FROM->TO	BUSHLAND INTERCHANGE - COULTER INTERCHANGE 115KV CKT 1	139	160	0.05875	102.6839	BUSHLAND INTERCHANGE - POTTER COUNTY INTERCHANGE 230KV CKT 1
5	10G	G07_034	FROM->TO	BUSHLAND INTERCHANGE - COULTER INTERCHANGE 115KV CKT 1	139	160	0.05746	101.1488	BUSHLAND INTERCHANGE - POTTER COUNTY INTERCHANGE 230KV CKT 1
5	10G	G07_034	TO->FROM	FPL SWITCH - WOODWARD 138KV CKT 1	133	153	0.0472	107.8422	PP-002
2	10G	G07_034	TO->FROM	FPL SWITCH - WOODWARD 138KV CKT 1	133	153	0.04718	132.2336	PP-002
5	10G	G07_034	TO->FROM	FPL SWITCH - WOODWARD 138KV CKT 1	133	153	0.04593	106.1716	PP-002
2	10G	G07_034	TO->FROM	FPL SWITCH - WOODWARD 138KV CKT 1	133	153	0.04591	131.6566	PP-002
6	10G	G07_034	TO->FROM	FPL SWITCH - WOODWARD 138KV CKT 1	133	153	0.03995	103.6113	LAWTON EASTSIDE - OKLAUNION 345KV CKT 1
3	10G	G07_034	TO->FROM	FPL SWITCH - WOODWARD 138KV CKT 1	133	153	0.03986	109.0416	LAWTON EASTSIDE - OKLAUNION 345KV CKT 1
5	10G	G07_034	TO->FROM	FPL SWITCH - WOODWARD 138KV CKT 1	133	153	0.03983	106.9611	LAWTON EASTSIDE - OKLAUNION 345KV CKT 1
2	10G	G07_034	TO->FROM	FPL SWITCH - WOODWARD 138KV CKT 1	133	153	0.03981	126.9661	LAWTON EASTSIDE - OKLAUNION 345KV CKT 1
2	10G	G07_034	TO->FROM	FPL SWITCH - WOODWARD 138KV CKT 1	133	153	0.03981	113.8468	G05-15T 345.00 - TUCO INTERCHANGE 345KV CKT 1

Group Dispatch Scenario	SEASON	SOURCE	DIRECTION	MONTCOMMONNAME	RATEA	RATEB	TDF	LOADING%	CONTNAME
2	10G	G07_034	TO->FROM	FPL SWITCH - WOODWARD 138KV CKT 1	133	153	0.03981	116.7903	G05-15T 345.00 - OKLAUNION 345KV CKT 1
6	10G	G07_034	TO->FROM	FPL SWITCH - WOODWARD 138KV CKT 1	133	153	0.03914	112.5493	NORTHWEST - TATONGA EHV 345.00 345KV CKT 1
4	10G	G07_034	TO->FROM	FPL SWITCH - WOODWARD 138KV CKT 1	133	153	0.03905	110.2918	NORTHWEST - TATONGA EHV 345.00 345KV CKT 1
3	10G	G07_034	TO->FROM	FPL SWITCH - WOODWARD 138KV CKT 1	133	153	0.03904	118.1452	TATONGA EHV 345.00 - WWRDEHV7 345.00 345KV CKT 1
3	10G	G07_034	TO->FROM	FPL SWITCH - WOODWARD 138KV CKT 1	133	153	0.03904	131.1963	NORTHWEST - TATONGA EHV 345.00 345KV CKT 1
5	10G	G07_034	TO->FROM	FPL SWITCH - WOODWARD 138KV CKT 1	133	153	0.03902	109.3327	TATONGA EHV 345.00 - WWRDEHV7 345.00 345KV CKT 1
5	10G	G07_034	TO->FROM	FPL SWITCH - WOODWARD 138KV CKT 1	133	153	0.03902	122.3248	NORTHWEST - TATONGA EHV 345.00 345KV CKT 1
2	10G	G07_034	TO->FROM	FPL SWITCH - WOODWARD 138KV CKT 1	133	153	0.039	138.5764	TATONGA EHV 345.00 - WWRDEHV7 345.00 345KV CKT 1
2	10G	G07_034	TO->FROM	FPL SWITCH - WOODWARD 138KV CKT 1	133	153	0.039	151.4358	NORTHWEST - TATONGA EHV 345.00 345KV CKT 1
5	10G	G07_034	TO->FROM	FPL SWITCH - WOODWARD 138KV CKT 1	133	153	0.03855	105.3803	LAWTON EASTSIDE - OKLAUNION 345KV CKT 1
2	10G	G07_034	TO->FROM	FPL SWITCH - WOODWARD 138KV CKT 1	133	153	0.03854	113.2595	G05-15T 345.00 - TUCO INTERCHANGE 345KV CKT 1
2	10G	G07_034	TO->FROM	FPL SWITCH - WOODWARD 138KV CKT 1	133	153	0.03854	126.1891	LAWTON EASTSIDE - OKLAUNION 345KV CKT 1
2	10G	G07_034	TO->FROM	FPL SWITCH - WOODWARD 138KV CKT 1	133	153	0.03854	116.1673	G05-15T 345.00 - OKLAUNION 345KV CKT 1
6	10G	G07_034	TO->FROM	FPL SWITCH - WOODWARD 138KV CKT 1	133	153	0.03848	100.7719	PP-004
3	10G	G07_034	TO->FROM	FPL SWITCH - WOODWARD 138KV CKT 1	133	153	0.03838	117.4055	PP-004
5	10G	G07_034	TO->FROM	FPL SWITCH - WOODWARD 138KV CKT 1	133	153	0.03835	110.271	PP-004
2	10G	G07_034	TO->FROM	FPL SWITCH - WOODWARD 138KV CKT 1	133	153	0.03832	139.0566	PP-004
5	10G	G07_034	TO->FROM	FPL SWITCH - WOODWARD 138KV CKT 1	133	153	0.03757	107.484	TATONGA EHV 345.00 - WWRDEHV7 345.00 345KV CKT 1
5	10G	G07_034	TO->FROM	FPL SWITCH - WOODWARD 138KV CKT 1	133	153	0.03757	120.5301	NORTHWEST - TATONGA EHV 345.00 345KV CKT 1
2	10G	G07_034	TO->FROM	FPL SWITCH - WOODWARD 138KV CKT 1	133	153	0.03756	138.0116	TATONGA EHV 345.00 - WWRDEHV7 345.00 345KV CKT 1
2	10G	G07_034	TO->FROM	FPL SWITCH - WOODWARD 138KV CKT 1	133	153	0.03756	150.9249	NORTHWEST - TATONGA EHV 345.00 345KV CKT 1
5	10G	G07_034	TO->FROM	FPL SWITCH - WOODWARD 138KV CKT 1	133	153	0.03704	102.9974	SPP-SWPS-03B
2	10G	G07_034	TO->FROM	FPL SWITCH - WOODWARD 138KV CKT 1	133	153	0.03702	121.8661	SPP-SWPS-03B
5	10G	G07_034	TO->FROM	FPL SWITCH - WOODWARD 138KV CKT 1	133	153	0.03701	108.529	PP-004
2	10G	G07_034	TO->FROM	FPL SWITCH - WOODWARD 138KV CKT 1	133	153	0.03699	138.522	PP-004
3	10G	G07_034	TO->FROM	FPL SWITCH - WOODWARD 138KV CKT 1	133	153	0.03686	109.9459	BECKHAM CO 230.00 - ELK CITY 230KV 230KV CKT 1
3	10G	G07_034	TO->FROM	FPL SWITCH - WOODWARD 138KV CKT 1	133	153	0.03686	109.9407	ELK CITY 230KV (ELKCTY-6) 230/138/13.8KV TRANSFORMER CKT 1
5	10G	G07_034	TO->FROM	FPL SWITCH - WOODWARD 138KV CKT 1	133	153	0.03682	102.4097	BECKHAM CO 230.00 - STATELINE INTERCHANGE 230KV CKT 1
5	10G	G07_034	TO->FROM	FPL SWITCH - WOODWARD 138KV CKT 1	133	153	0.03682	113.4768	ELK CITY 230KV (ELKCTY-6) 230/138/13.8KV TRANSFORMER CKT 1
5	10G	G07_034	TO->FROM	FPL SWITCH - WOODWARD 138KV CKT 1	133	153	0.03682	102.4427	GRAPEVINE INTERCHANGE - STATELINE INTERCHANGE 230KV CKT 1
5	10G	G07_034	TO->FROM	FPL SWITCH - WOODWARD 138KV CKT 1	133	153	0.03682	113.4847	BECKHAM CO 230.00 - ELK CITY 230KV 230KV CKT 1
2	10G	G07_034	TO->FROM	FPL SWITCH - WOODWARD 138KV CKT 1	133	153	0.03681	131.8555	ELK CITY 230KV (ELKCTY-6) 230/138/13.8KV TRANSFORMER CKT 1
2	10G	G07_034	TO->FROM	FPL SWITCH - WOODWARD 138KV CKT 1	133	153	0.03681	131.8642	BECKHAM CO 230.00 - ELK CITY 230KV 230KV CKT 1
2	10G	G07_034	TO->FROM	FPL SWITCH - WOODWARD 138KV CKT 1	133	153	0.03681	120.9478	BECKHAM CO 230.00 - STATELINE INTERCHANGE 230KV CKT 1
2	10G	G07_034	TO->FROM	FPL SWITCH - WOODWARD 138KV CKT 1	133	153	0.03681	120.9754	GRAPEVINE INTERCHANGE - STATELINE INTERCHANGE 230KV CKT 1
5	10G	G07_034	TO->FROM	FPL SWITCH - WOODWARD 138KV CKT 1	133	153	0.03642	102.2629	SPP-SWPS-03B
2	10G	G07_034	TO->FROM	FPL SWITCH - WOODWARD 138KV CKT 1	133	153	0.03641	121.5565	SPP-SWPS-03B
5	10G	G07_034	TO->FROM	FPL SWITCH - WOODWARD 138KV CKT 1	133	153	0.0362	112.6639	BECKHAM CO 230.00 - ELK CITY 230KV 230KV CKT 1
5	10G	G07_034	TO->FROM	FPL SWITCH - WOODWARD 138KV CKT 1	133	153	0.0362	101.6188	BECKHAM CO 230.00 - STATELINE INTERCHANGE 230KV CKT 1
5	10G	G07_034	TO->FROM	FPL SWITCH - WOODWARD 138KV CKT 1	133	153	0.0362	101.6593	GRAPEVINE INTERCHANGE - STATELINE INTERCHANGE 230KV CKT 1
5	10G	G07_034	TO->FROM	FPL SWITCH - WOODWARD 138KV CKT 1	133	153	0.0362	112.6557	ELK CITY 230KV (ELKCTY-6) 230/138/13.8KV TRANSFORMER CKT 1
2	10G	G07_034	TO->FROM	FPL SWITCH - WOODWARD 138KV CKT 1	133	153	0.03619	120.6768	BECKHAM CO 230.00 - STATELINE INTERCHANGE 230KV CKT 1
2	10G	G07_034	TO->FROM	FPL SWITCH - WOODWARD 138KV CKT 1	133	153	0.03619	120.7068	GRAPEVINE INTERCHANGE - STATELINE INTERCHANGE 230KV CKT 1
2	10G	G07_034	TO->FROM	FPL SWITCH - WOODWARD 138KV CKT 1	133	153	0.03619	131.4615	ELK CITY 230KV (ELKCTY-6) 230/138/13.8KV TRANSFORMER CKT 1
2	10G	G07_034	TO->FROM	FPL SWITCH - WOODWARD 138KV CKT 1	133	153	0.03619	131.4643	BECKHAM CO 230.00 - ELK CITY 230KV 230KV CKT 1
3	10G	G07_034	TO->FROM	FPL SWITCH - WOODWARD 138KV CKT 1	133	153	0.03615	118.0589	PP-005
5	10G	G07_034	TO->FROM	FPL SWITCH - WOODWARD 138KV CKT 1	133	153	0.03613	104.5751	PP-005
2	10G	G07_034	TO->FROM	FPL SWITCH - WOODWARD 138KV CKT 1	133	153	0.03611	132.677	PP-005
20	14WP	G07_034	FROM->TO	ROOSEVELT COUNTY INTERCHANGE 230/115KV TRANSFORMER CK	252	289.8	0.03495	110.4665	OASIS INTERCHANGE 230/115KV TRANSFORMER CKT 1

Group Dispatch Scenario	SEASON	SOURCE	DIRECTION	MONTCOMMONNAME	RATEA	RATEB	TDF	LOADING%	CONTNAME
5	10G	G07_034	TO->FROM	FPL SWITCH - WOODWARD 138KV CKT 1	133	153	0.0348	102.8339	PP-005
2	10G	G07_034	TO->FROM	FPL SWITCH - WOODWARD 138KV CKT 1	133	153	0.03478	132.1268	PP-005
20	14WP	G07_034	FROM->TO	OASIS INTERCHANGE 230/115KV TRANSFORMER CKT 1	248	285	0.03464	108.2475	ROOSEVELT COUNTY INTERCHANGE 230/115KV TRANSFORMER CKT 1
2	10G	G07_034	TO->FROM	FPL SWITCH - WOODWARD 138KV CKT 1	133	153	0.0304	116.2812	GRAPEVINE INTERCHANGE - NICHOLS STATION 230KV CKT 1
2	10G	G07_034	TO->FROM	FPL SWITCH - WOODWARD 138KV CKT 1	133	153	0.02944	115.7736	GRAPEVINE INTERCHANGE - NICHOLS STATION 230KV CKT 1
5	10G	G07_038	TO->FROM	FPL SWITCH - WOODWARD 138KV CKT 1	133	153	0.05987	108.529	PP-004
2	10G	G07_038	TO->FROM	FPL SWITCH - WOODWARD 138KV CKT 1	133	153	0.05984	138.522	PP-004
6	10G	G07_038	TO->FROM	FPL SWITCH - WOODWARD 138KV CKT 1	133	153	0.05936	100.7719	PP-004
3	10G	G07_038	TO->FROM	FPL SWITCH - WOODWARD 138KV CKT 1	133	153	0.05925	117.4055	PP-004
5	10G	G07_038	TO->FROM	FPL SWITCH - WOODWARD 138KV CKT 1	133	153	0.05923	110.271	PP-004
2	10G	G07_038	TO->FROM	FPL SWITCH - WOODWARD 138KV CKT 1	133	153	0.0592	139.0566	PP-004
5	10G	G07_038	TO->FROM	FPL SWITCH - WOODWARD 138KV CKT 1	133	153	0.05776	102.8339	PP-005
2	10G	G07_038	TO->FROM	FPL SWITCH - WOODWARD 138KV CKT 1	133	153	0.05773	132.1268	PP-005
3	10G	G07_038	TO->FROM	FPL SWITCH - WOODWARD 138KV CKT 1	133	153	0.05715	118.0589	PP-005
5	10G	G07_038	TO->FROM	FPL SWITCH - WOODWARD 138KV CKT 1	133	153	0.05713	104.5751	PP-005
2	10G	G07_038	TO->FROM	FPL SWITCH - WOODWARD 138KV CKT 1	133	153	0.0571	132.677	PP-005
5	10G	G07_038	TO->FROM	FPL SWITCH - WOODWARD 138KV CKT 1	133	153	0.05584	120.5301	NORTHWEST - TATONGA EHV 345.00 345KV CKT 1
5	10G	G07_038	TO->FROM	FPL SWITCH - WOODWARD 138KV CKT 1	133	153	0.05584	107.484	TATONGA EHV 345.00 - WWRDEHV7 345.00 345KV CKT 1
2	10G	G07_038	TO->FROM	FPL SWITCH - WOODWARD 138KV CKT 1	133	153	0.05582	150.9249	NORTHWEST - TATONGA EHV 345.00 345KV CKT 1
2	10G	G07_038	TO->FROM	FPL SWITCH - WOODWARD 138KV CKT 1	133	153	0.05582	138.0116	TATONGA EHV 345.00 - WWRDEHV7 345.00 345KV CKT 1
6	10G	G07_038	TO->FROM	FPL SWITCH - WOODWARD 138KV CKT 1	133	153	0.05527	112.5493	NORTHWEST - TATONGA EHV 345.00 345KV CKT 1
4	10G	G07_038	TO->FROM	FPL SWITCH - WOODWARD 138KV CKT 1	133	153	0.05519	110.2918	NORTHWEST - TATONGA EHV 345.00 345KV CKT 1
3	10G	G07_038	TO->FROM	FPL SWITCH - WOODWARD 138KV CKT 1	133	153	0.05517	131.1963	NORTHWEST - TATONGA EHV 345.00 345KV CKT 1
3	10G	G07_038	TO->FROM	FPL SWITCH - WOODWARD 138KV CKT 1	133	153	0.05517	118.1452	TATONGA EHV 345.00 - WWRDEHV7 345.00 345KV CKT 1
5	10G	G07_038	TO->FROM	FPL SWITCH - WOODWARD 138KV CKT 1	133	153	0.05515	122.3248	NORTHWEST - TATONGA EHV 345.00 345KV CKT 1
5	10G	G07_038	TO->FROM	FPL SWITCH - WOODWARD 138KV CKT 1	133	153	0.05515	109.3327	TATONGA EHV 345.00 - WWRDEHV7 345.00 345KV CKT 1
2	10G	G07_038	TO->FROM	FPL SWITCH - WOODWARD 138KV CKT 1	133	153	0.05513	151.4358	NORTHWEST - TATONGA EHV 345.00 345KV CKT 1
2	10G	G07_038	TO->FROM	FPL SWITCH - WOODWARD 138KV CKT 1	133	153	0.05513	138.5764	TATONGA EHV 345.00 - WWRDEHV7 345.00 345KV CKT 1
2	10G	G07_038	TO->FROM	FPL SWITCH - WOODWARD 138KV CKT 1	133	153	0.04519	121.8739	DEWEY - IODINE 138KV CKT 1
2	10G	G07_038	TO->FROM	FPL SWITCH - WOODWARD 138KV CKT 1	133	153	0.04519	123.0314	IODINE - WWRDEHV4 138.00 138KV CKT 1
3	10G	G07_038	TO->FROM	FPL SWITCH - WOODWARD 138KV CKT 1	133	153	0.04463	107.3417	DEWEY - IODINE 138KV CKT 1
3	10G	G07_038	TO->FROM	FPL SWITCH - WOODWARD 138KV CKT 1	133	153	0.04463	108.502	IODINE - WWRDEHV4 138.00 138KV CKT 1
2	10G	G07_038	TO->FROM	FPL SWITCH - WOODWARD 138KV CKT 1	133	153	0.04461	122.5298	DEWEY - IODINE 138KV CKT 1
2	10G	G07_038	TO->FROM	FPL SWITCH - WOODWARD 138KV CKT 1	133	153	0.04461	123.6773	IODINE - WWRDEHV4 138.00 138KV CKT 1
5	10G	G07_038	FROM->TO	HARPER - MILAN TAP 138KV CKT 1	95.6	95.6	0.04406	111.8206	PP-005
2	10G	G07_038	TO->FROM	CLEARWATER - MILAN TAP 138KV CKT 1	110	110	0.04403	106.8548	PP-005
2	10G	G07_038	FROM->TO	HARPER - MILAN TAP 138KV CKT 1	95.6	95.6	0.04403	133.1428	PP-005
3	10G	G07_038	FROM->TO	HARPER - MILAN TAP 138KV CKT 1	95.6	95.6	0.04396	145.745	PP-005
3	10G	G07_038	TO->FROM	CLEARWATER - MILAN TAP 138KV CKT 1	110	110	0.04396	117.847	PP-005
3	10G	G07_038	FROM->TO	CLEARWATER - GILL ENERGY CENTER WEST 138KV CKT 1	110	110	0.04396	107.3164	PP-005
1	10G	G07_038	TO->FROM	CLEARWATER - MILAN TAP 138KV CKT 1	110	110	0.04396	107.7224	PP-005
1	10G	G07_038	FROM->TO	HARPER - MILAN TAP 138KV CKT 1	95.6	95.6	0.04396	134.1493	PP-005
5	10G	G07_038	FROM->TO	HARPER - MILAN TAP 138KV CKT 1	95.6	95.6	0.04393	112.455	PP-005
2	10G	G07_038	TO->FROM	CLEARWATER - MILAN TAP 138KV CKT 1	110	110	0.04389	107.0316	PP-005
2	10G	G07_038	FROM->TO	HARPER - MILAN TAP 138KV CKT 1	95.6	95.6	0.04389	133.3466	PP-005
5	10G	G07_038	TO->FROM	FPL SWITCH - WOODWARD 138KV CKT 1	133	153	0.04312	103.6646	WOODWARD (WOODWRD2) 138/69/13.2KV TRANSFORMER CKT 1
2	10G	G07_038	TO->FROM	FPL SWITCH - WOODWARD 138KV CKT 1	133	153	0.04311	129.6591	WOODWARD (WOODWRD2) 138/69/13.2KV TRANSFORMER CKT 1
2	10G	G07_038	TO->FROM	FPL SWITCH - WOODWARD 138KV CKT 1	133	153	0.04311	116.5829	WOODWARD - WOODWARD 69KV CKT 1
2	10G	G07_038	TO->FROM	FPL SWITCH - WOODWARD 138KV CKT 1	133	153	0.0427	107.0002	KNOLL345 345.00 - SPEARVILLE 345KV CKT 1
6	10G	G07_038	TO->FROM	FPL SWITCH - WOODWARD 138KV CKT 1	133	153	0.04263	100.1109	WOODWARD (WOODWRD2) 138/69/13.2KV TRANSFORMER CKT 1
3	10G	G07_038	TO->FROM	FPL SWITCH - WOODWARD 138KV CKT 1	133	153	0.04256	116.1487	WOODWARD (WOODWRD2) 138/69/13.2KV TRANSFORMER CKT 1
3	10G	G07_038	TO->FROM	FPL SWITCH - WOODWARD 138KV CKT 1	133	153	0.04256	103.0948	WOODWARD - WOODWARD 69KV CKT 1
5	10G	G07_038	TO->FROM	FPL SWITCH - WOODWARD 138KV CKT 1	133	153	0.04255	105.493	WOODWARD (WOODWRD2) 138/69/13.2KV TRANSFORMER CKT 1

Group Dispatch Scenario	SEASON	SOURCE	DIRECTION	MONTCOMMONNAME	RATEA	RATEB	TDF	LOADING%	CONTNAME
2	10G	G07_038	TO->FROM	FPL SWITCH - WOODWARD 138KV CKT 1	133	153	0.04254	130.3005	WOODWARD (WOODWRD2) 138/69/13.2KV TRANSFORMER CKT 1
2	10G	G07_038	TO->FROM	FPL SWITCH - WOODWARD 138KV CKT 1	133	153	0.04254	117.2225	WOODWARD - WOODWARD 69KV CKT 1
2	10G	G07_038	TO->FROM	FPL SWITCH - WOODWARD 138KV CKT 1	133	153	0.0425	109.2019	MED-LDG5 345.00 - WICHITA 345KV CKT 2
2	10G	G07_038	TO->FROM	FPL SWITCH - WOODWARD 138KV CKT 1	133	153	0.0425	109.2019	MED-LDG5 345.00 - WICHITA 345KV CKT 1
2	10G	G07_038	TO->FROM	FPL SWITCH - WOODWARD 138KV CKT 1	133	153	0.04235	100.4631	MIDPT_BUS 7 345.00 - WWRDEHV7 345.00 345KV CKT 1
2	10G	G07_038	TO->FROM	FPL SWITCH - WOODWARD 138KV CKT 1	133	153	0.04217	107.563	KNOLL345 345.00 - SPEARVILLE 345KV CKT 1
2	10G	G07_038	TO->FROM	FPL SWITCH - WOODWARD 138KV CKT 1	133	153	0.04196	109.7732	MED-LDG5 345.00 - WICHITA 345KV CKT 1
2	10G	G07_038	TO->FROM	FPL SWITCH - WOODWARD 138KV CKT 1	133	153	0.04196	109.7732	MED-LDG5 345.00 - WICHITA 345KV CKT 2
2	10G	G07_038	TO->FROM	FPL SWITCH - WOODWARD 138KV CKT 1	133	153	0.04155	101.3058	MIDPT_BUS 7 345.00 - WWRDEHV7 345.00 345KV CKT 1
2	10G	G07_038	TO->FROM	FPL SWITCH - WOODWARD 138KV CKT 1	133	153	0.04155	100.617	MIDPT_BUS 7 345.00 - TUCO INTERCHANGE 345KV CKT 1
2	10G	G07_038	TO->FROM	FPL SWITCH - WOODWARD 138KV CKT 1	133	153	0.04154	106.7537	G07-25T 345.00 - G08-13T 345.00 345KV CKT 1
2	10G	G07_038	TO->FROM	FPL SWITCH - WOODWARD 138KV CKT 1	133	153	0.04154	105.0563	G07-25T 345.00 - WICHITA 345KV CKT 1
2	10G	G07_038	TO->FROM	FPL SWITCH - WOODWARD 138KV CKT 1	133	153	0.04154	108.753	G08-13T 345.00 - WOODRING 345KV CKT 1
2	10G	G07_038	TO->FROM	FPL SWITCH - WOODWARD 138KV CKT 1	133	153	0.04116	107.8172	COMANCH5 345.00 - MED-LDG5 345.00 345KV CKT 1
2	10G	G07_038	TO->FROM	FPL SWITCH - WOODWARD 138KV CKT 1	133	153	0.04116	107.8172	COMANCH5 345.00 - MED-LDG5 345.00 345KV CKT 2
2	10G	G07_038	TO->FROM	FPL SWITCH - WOODWARD 138KV CKT 1	133	153	0.041	109.3337	G08-13T 345.00 - WOODRING 345KV CKT 1
2	10G	G07_038	TO->FROM	FPL SWITCH - WOODWARD 138KV CKT 1	133	153	0.041	107.3404	G07-25T 345.00 - G08-13T 345.00 345KV CKT 1
2	10G	G07_038	TO->FROM	FPL SWITCH - WOODWARD 138KV CKT 1	133	153	0.041	105.6361	G07-25T 345.00 - WICHITA 345KV CKT 1
2	10G	G07_038	TO->FROM	FPL SWITCH - WOODWARD 138KV CKT 1	133	153	0.04063	108.388	COMANCH5 345.00 - MED-LDG5 345.00 345KV CKT 2
2	10G	G07_038	TO->FROM	FPL SWITCH - WOODWARD 138KV CKT 1	133	153	0.04063	108.388	COMANCH5 345.00 - MED-LDG5 345.00 345KV CKT 1
2	10G	G07_038	TO->FROM	FPL SWITCH - WOODWARD 138KV CKT 1	133	153	0.04033	105.1984	AXTELL - KNOLL345 345.00 345KV CKT 1
2	10G	G07_038	TO->FROM	FPL SWITCH - WOODWARD 138KV CKT 1	133	153	0.04025	104.6931	MINGO - RED WILLOW 345KV CKT 1
2	10G	G07_038	TO->FROM	FPL SWITCH - WOODWARD 138KV CKT 1	133	153	0.03986	105.7432	MINGO - SETAB 345KV CKT 1
2	10G	G07_038	TO->FROM	FPL SWITCH - WOODWARD 138KV CKT 1	133	153	0.03971	105.2578	MINGO - RED WILLOW 345KV CKT 1
2	10G	G07_038	TO->FROM	FPL SWITCH - WOODWARD 138KV CKT 1	133	153	0.03932	106.2933	MINGO - SETAB 345KV CKT 1
5	10G	G07_038	TO->FROM	FPL SWITCH - WOODWARD 138KV CKT 1	133	153	0.03918	105.3803	LAWTON EASTSIDE - OKLAUNION 345KV CKT 1
5	10G	G07_038	TO->FROM	FPL SWITCH - WOODWARD 138KV CKT 1	133	153	0.03918	102.2629	SPP-SWPS-03B
2	10G	G07_038	TO->FROM	FPL SWITCH - WOODWARD 138KV CKT 1	133	153	0.03917	113.2595	G05-15T 345.00 - TUCO INTERCHANGE 345KV CKT 1
2	10G	G07_038	TO->FROM	FPL SWITCH - WOODWARD 138KV CKT 1	133	153	0.03917	121.5565	SPP-SWPS-03B
2	10G	G07_038	TO->FROM	FPL SWITCH - WOODWARD 138KV CKT 1	133	153	0.03917	116.1673	G05-15T 345.00 - OKLAUNION 345KV CKT 1
2	10G	G07_038	TO->FROM	FPL SWITCH - WOODWARD 138KV CKT 1	133	153	0.03917	126.1891	LAWTON EASTSIDE - OKLAUNION 345KV CKT 1
5	10G	G07_038	TO->FROM	FPL SWITCH - WOODWARD 138KV CKT 1	133	153	0.03916	101.6593	GRAPEVINE INTERCHANGE - STATELINE INTERCHANGE 230KV CKT 1
5	10G	G07_038	TO->FROM	FPL SWITCH - WOODWARD 138KV CKT 1	133	153	0.03916	112.6639	BECKHAM CO 230.00 - ELK CITY 230KV 230KV CKT 1
5	10G	G07_038	TO->FROM	FPL SWITCH - WOODWARD 138KV CKT 1	133	153	0.03916	112.6557	ELK CITY 230KV (ELKCTY-6) 230/138/13.8KV TRANSFORMER CKT 1
5	10G	G07_038	TO->FROM	FPL SWITCH - WOODWARD 138KV CKT 1	133	153	0.03916	101.6188	BECKHAM CO 230.00 - STATELINE INTERCHANGE 230KV CKT 1
2	10G	G07_038	TO->FROM	FPL SWITCH - WOODWARD 138KV CKT 1	133	153	0.03915	120.6768	BECKHAM CO 230.00 - STATELINE INTERCHANGE 230KV CKT 1
2	10G	G07_038	TO->FROM	FPL SWITCH - WOODWARD 138KV CKT 1	133	153	0.03915	131.4615	ELK CITY 230KV (ELKCTY-6) 230/138/13.8KV TRANSFORMER CKT 1
2	10G	G07_038	TO->FROM	FPL SWITCH - WOODWARD 138KV CKT 1	133	153	0.03915	120.7068	GRAPEVINE INTERCHANGE - STATELINE INTERCHANGE 230KV CKT 1
2	10G	G07_038	TO->FROM	FPL SWITCH - WOODWARD 138KV CKT 1	133	153	0.03915	131.4643	BECKHAM CO 230.00 - ELK CITY 230KV 230KV CKT 1
2	10G	G07_038	TO->FROM	FPL SWITCH - WOODWARD 138KV CKT 1	133	153	0.03907	105.1758	FARGO JCT - WOODWARD 69KV CKT 1
3	10G	G07_038	TO->FROM	FPL SWITCH - WOODWARD 138KV CKT 1	133	153	0.03899	109.9459	BECKHAM CO 230.00 - ELK CITY 230KV 230KV CKT 1
3	10G	G07_038	TO->FROM	FPL SWITCH - WOODWARD 138KV CKT 1	133	153	0.03899	109.9407	ELK CITY 230KV (ELKCTY-6) 230/138/13.8KV TRANSFORMER CKT 1
5	10G	G07_038	TO->FROM	FPL SWITCH - WOODWARD 138KV CKT 1	133	153	0.03898	102.9974	SPP-SWPS-03B
2	10G	G07_038	TO->FROM	FPL SWITCH - WOODWARD 138KV CKT 1	133	153	0.03896	121.8661	SPP-SWPS-03B
5	10G	G07_038	TO->FROM	FPL SWITCH - WOODWARD 138KV CKT 1	133	153	0.03895	113.4847	BECKHAM CO 230.00 - ELK CITY 230KV 230KV CKT 1
5	10G	G07_038	TO->FROM	FPL SWITCH - WOODWARD 138KV CKT 1	133	153	0.03895	102.4427	GRAPEVINE INTERCHANGE - STATELINE INTERCHANGE 230KV CKT 1
5	10G	G07_038	TO->FROM	FPL SWITCH - WOODWARD 138KV CKT 1	133	153	0.03895	102.4097	BECKHAM CO 230.00 - STATELINE INTERCHANGE 230KV CKT 1
5	10G	G07_038	TO->FROM	FPL SWITCH - WOODWARD 138KV CKT 1	133	153	0.03895	113.4768	ELK CITY 230KV (ELKCTY-6) 230/138/13.8KV TRANSFORMER CKT 1
2	10G	G07_038	TO->FROM	FPL SWITCH - WOODWARD 138KV CKT 1	133	153	0.03894	131.8555	ELK CITY 230KV (ELKCTY-6) 230/138/13.8KV TRANSFORMER CKT 1

Group Dispatch Scenario	SEASON	SOURCE	DIRECTION	MONTCOMMONNAME	RATEA	RATEB	TDF	LOADING%	CONTNAME
2	10G	G07_038	TO->FROM	FPL SWITCH - WOODWARD 138KV CKT 1	133	153	0.03894	120.9754	GRAPEVINE INTERCHANGE - STATELINE INTERCHANGE 230KV CKT 1
2	10G	G07_038	TO->FROM	FPL SWITCH - WOODWARD 138KV CKT 1	133	153	0.03894	120.9478	BECKHAM CO 230.00 - STATELINE INTERCHANGE 230KV CKT 1
2	10G	G07_038	TO->FROM	FPL SWITCH - WOODWARD 138KV CKT 1	133	153	0.03894	131.8642	BECKHAM CO 230.00 - ELK CITY 230KV 230KV CKT 1
2	10G	G07_038	TO->FROM	FPL SWITCH - WOODWARD 138KV CKT 1	133	153	0.03893	105.2674	CIMARRON - NORTHWEST 345KV CKT 1
6	10G	G07_038	TO->FROM	FPL SWITCH - WOODWARD 138KV CKT 1	133	153	0.03891	103.6113	LAWTON EASTSIDE - OKLAUNION 345KV CKT 1
3	10G	G07_038	TO->FROM	FPL SWITCH - WOODWARD 138KV CKT 1	133	153	0.03883	109.0416	LAWTON EASTSIDE - OKLAUNION 345KV CKT 1
5	10G	G07_038	TO->FROM	FPL SWITCH - WOODWARD 138KV CKT 1	133	153	0.03879	106.9611	LAWTON EASTSIDE - OKLAUNION 345KV CKT 1
2	10G	G07_038	TO->FROM	FPL SWITCH - WOODWARD 138KV CKT 1	133	153	0.03877	113.8468	G05-15T 345.00 - TUCO INTERCHANGE 345KV CKT 1
2	10G	G07_038	TO->FROM	FPL SWITCH - WOODWARD 138KV CKT 1	133	153	0.03877	126.9661	LAWTON EASTSIDE - OKLAUNION 345KV CKT 1
2	10G	G07_038	TO->FROM	FPL SWITCH - WOODWARD 138KV CKT 1	133	153	0.03877	116.7903	G05-15T 345.00 - OKLAUNION 345KV CKT 1
2	10G	G07_038	TO->FROM	FPL SWITCH - WOODWARD 138KV CKT 1	133	153	0.03871	115.7736	GRAPEVINE INTERCHANGE - NICHOLS STATION 230KV CKT 1
2	10G	G07_038	TO->FROM	FPL SWITCH - WOODWARD 138KV CKT 1	133	153	0.0386	104.9633	GRAND ISLAND - SWEETWATER 345KV CKT 1
2	10G	G07_038	TO->FROM	FPL SWITCH - WOODWARD 138KV CKT 1	133	153	0.03855	105.7545	FARGO JCT - WOODWARD 69KV CKT 1
2	10G	G07_038	TO->FROM	FPL SWITCH - WOODWARD 138KV CKT 1	133	153	0.03841	105.8461	CIMARRON - NORTHWEST 345KV CKT 1
2	10G	G07_038	TO->FROM	FPL SWITCH - WOODWARD 138KV CKT 1	133	153	0.03836	105.026	AMRN_OUTS6
2	10G	G07_038	TO->FROM	FPL SWITCH - WOODWARD 138KV CKT 1	133	153	0.03835	116.2812	GRAPEVINE INTERCHANGE - NICHOLS STATION 230KV CKT 1
2	10G	G07_038	TO->FROM	FPL SWITCH - WOODWARD 138KV CKT 1	133	153	0.0383	107.3907	DEWEY - TALOGA 138KV CKT 1
2	10G	G07_038	TO->FROM	FPL SWITCH - WOODWARD 138KV CKT 1	133	153	0.03829	104.7297	WRTOD400
2	10G	G07_038	TO->FROM	FPL SWITCH - WOODWARD 138KV CKT 1	133	153	0.03814	105.4311	GEN337652 1-WHITE BLUFF UNIT #1
2	10G	G07_038	TO->FROM	FPL SWITCH - WOODWARD 138KV CKT 1	133	153	0.03814	100.4418	GEN527163 1-MUSTANG GEN #3 22 KV
2	10G	G07_038	TO->FROM	FPL SWITCH - WOODWARD 138KV CKT 1	133	153	0.03814	106.196	GEN515225 1-MUSKOGEE 5G
2	10G	G07_038	TO->FROM	FPL SWITCH - WOODWARD 138KV CKT 1	133	153	0.03814	104.9108	GEN338146 1-INDEPENDENCE UNIT #2
2	10G	G07_038	TO->FROM	FPL SWITCH - WOODWARD 138KV CKT 1	133	153	0.03814	106.1532	GEN515223 1-MUSKOGEE 4G
2	10G	G07_038	TO->FROM	FPL SWITCH - WOODWARD 138KV CKT 1	133	153	0.03814	106.9881	GEN337911 1-ARKANSAS NUCLEAR ONE UNIT #2
2	10G	G07_038	TO->FROM	FPL SWITCH - WOODWARD 138KV CKT 1	133	153	0.03814	100.5504	GEN527901 1-HOBBS PLANT #1 (CT)
2	10G	G07_038	TO->FROM	FPL SWITCH - WOODWARD 138KV CKT 1	133	153	0.03814	105.4389	GEN337653 1-WHITE BLUFF UNIT #2
2	10G	G07_038	TO->FROM	FPL SWITCH - WOODWARD 138KV CKT 1	133	153	0.03814	106.2806	GEN337910 1-ARKANSAS NUCLEAR ONE UNIT #1
2	10G	G07_038	TO->FROM	FPL SWITCH - WOODWARD 138KV CKT 1	133	153	0.03814	105.6637	GEN509404 1-WELSH #1
2	10G	G07_038	TO->FROM	FPL SWITCH - WOODWARD 138KV CKT 1	133	153	0.03814	104.7593	GEN337041 1-GERALD ANDRUS
2	10G	G07_038	TO->FROM	FPL SWITCH - WOODWARD 138KV CKT 1	133	153	0.03814	107.6471	GEN514806 1-SOONER UNIT 2
2	10G	G07_038	TO->FROM	FPL SWITCH - WOODWARD 138KV CKT 1	133	153	0.03814	100.5715	GEN527164 1-MUSTANG GEN #4 22 KV
2	10G	G07_038	TO->FROM	FPL SWITCH - WOODWARD 138KV CKT 1	133	153	0.03814	105.2362	GEN509394 1-FLINT CREEK
2	10G	G07_038	TO->FROM	FPL SWITCH - WOODWARD 138KV CKT 1	133	153	0.03814	106.6933	GEN336153 1-WATERFORD UNIT#3
2	10G	G07_038	TO->FROM	FPL SWITCH - WOODWARD 138KV CKT 1	133	153	0.03814	100.574	GEN527165 1-Mustang Gen #5
2	10G	G07_038	TO->FROM	FPL SWITCH - WOODWARD 138KV CKT 1	133	153	0.03814	105.1071	GEN501813 1-RODEMACHER UNIT 3
2	10G	G07_038	TO->FROM	FPL SWITCH - WOODWARD 138KV CKT 1	133	153	0.03814	106.8418	GEN336821 1-GRAND GULF UNIT
2	10G	G07_038	TO->FROM	FPL SWITCH - WOODWARD 138KV CKT 1	133	153	0.03814	106.3417	GEN501801 1-DOLET HILLS UNIT1
2	10G	G07_038	TO->FROM	FPL SWITCH - WOODWARD 138KV CKT 1	133	153	0.03814	104.7885	GEN501812 1-RODEMACHER UNIT 2
2	10G	G07_038	TO->FROM	FPL SWITCH - WOODWARD 138KV CKT 1	133	153	0.03814	105.6351	GEN511842 1-RIVERSIDE STATION #1
2	10G	G07_038	TO->FROM	FPL SWITCH - WOODWARD 138KV CKT 1	133	153	0.03814	105.1355	GEN512689 1-GRDA1 GSU1 22
2	10G	G07_038	TO->FROM	FPL SWITCH - WOODWARD 138KV CKT 1	133	153	0.03814	105.4163	GEN511839 1-NORTHEASTERN STATION #2
2	10G	G07_038	TO->FROM	FPL SWITCH - WOODWARD 138KV CKT 1	133	153	0.03814	106.2864	GEN509403 1-PIRKEY GENERATION
2	10G	G07_038	TO->FROM	FPL SWITCH - WOODWARD 138KV CKT 1	133	153	0.03814	105.2446	GEN511840 1-NORTHEASTERN STATION #3
2	10G	G07_038	TO->FROM	FPL SWITCH - WOODWARD 138KV CKT 1	133	153	0.03814	105.2174	GEN511841 1-NORTHEASTERN STATION #4
2	10G	G07_038	TO->FROM	FPL SWITCH - WOODWARD 138KV CKT 1	133	153	0.03814	105.664	GEN509406 1-WELSH #3
2	10G	G07_038	TO->FROM	FPL SWITCH - WOODWARD 138KV CKT 1	133	153	0.03814	104.6407	GEN521116 1-RHWIND4 138.00
2	10G	G07_038	TO->FROM	FPL SWITCH - WOODWARD 138KV CKT 1	133	153	0.03814	105.6383	GEN512688 2-GRDA1 GSU2 22
2	10G	G07_038	TO->FROM	FPL SWITCH - WOODWARD 138KV CKT 1	133	153	0.03814	105.6898	GEN511843 1-RIVERSIDE STATION #2
2	10G	G07_038	TO->FROM	FPL SWITCH - WOODWARD 138KV CKT 1	133	153	0.03814	106.4108	GEN520922 1-SLEEPING 138.00
2	10G	G07_038	TO->FROM	FPL SWITCH - WOODWARD 138KV CKT 1	133	153	0.03814	108.2115	GEN515790 1-FPLWIND2
2	10G	G07_038	TO->FROM	FPL SWITCH - WOODWARD 138KV CKT 1	133	153	0.03814	107.5862	GEN511848 1-SOUTHWESTERN STATION #3
2	10G	G07_038	TO->FROM	FPL SWITCH - WOODWARD 138KV CKT 1	133	153	0.03814	105.9899	GEN520947 1-HUGO1
2	10G	G07_038	TO->FROM	FPL SWITCH - WOODWARD 138KV CKT 1	133	153	0.03814	106.1491	GEN335831 1-RIVERBEND UNIT#1
2	10G	G07_038	TO->FROM	FPL SWITCH - WOODWARD 138KV CKT 1	133	153	0.03814	106.1806	GEN515226 1-MUSKOGEE 6G
2	10G	G07_038	TO->FROM	FPL SWITCH - WOODWARD 138KV CKT 1	133	153	0.03814	100.577	GEN527162 1-MUSTANG GEN #2
2	10G	G07_038	TO->FROM	FPL SWITCH - WOODWARD 138KV CKT 1	133	153	0.03814	105.6638	GEN509405 1-WELSH #2
2	10G	G07_038	TO->FROM	FPL SWITCH - WOODWARD 138KV CKT 1	133	153	0.03814	100.577	GEN527161 1-MUSTANG GEN #1
2	10G	G07_038	TO->FROM	FPL SWITCH - WOODWARD 138KV CKT 1	133	153	0.03814	110.2485	GEN514805 1-SOONER UNIT 1

Group Dispatch Scenario	SEASON	SOURCE	DIRECTION	MONTCOMMONNAME	RATEA	RATEB	TDF	LOADING%	CONTNAME
2	10G	G07_038	TO->FROM	FPL SWITCH - WOODWARD 138KV CKT 1	133	153	0.03814	100.2899	GEN532751 1-WOLF CREEK GENERATING STATION UNIT 1
2	10G	G07_038	TO->FROM	FPL SWITCH - WOODWARD 138KV CKT 1	133	153	0.03814	100.6005	GEN560036 1-G03-13-2 0.6000
2	10G	G07_038	TO->FROM	FPL SWITCH - WOODWARD 138KV CKT 1	133	153	0.03814	100.5504	GEN527902 1-HOBBS PLANT #2 (CT)
2	10G	G07_038	TO->FROM	FPL SWITCH - WOODWARD 138KV CKT 1	133	153	0.03814	105.12	GEN560152 1-G06-46 0.6000
2	10G	G07_038	TO->FROM	FPL SWITCH - WOODWARD 138KV CKT 1	133	153	0.03814	100.3224	GEN542957 1-IATAN UNIT #1
2	10G	G07_038	TO->FROM	FPL SWITCH - WOODWARD 138KV CKT 1	133	153	0.03814	100.6005	GEN560035 1-G03-13-1 0.6000
2	10G	G07_038	TO->FROM	FPL SWITCH - WOODWARD 138KV CKT 1	133	153	0.03814	100.1575	GEN560067 1-G06-49-3 0.6000
2	10G	G07_038	TO->FROM	FPL SWITCH - WOODWARD 138KV CKT 1	133	153	0.03814	115.4238	GEN560183 1-G07-51 0.6000
2	10G	G07_038	TO->FROM	FPL SWITCH - WOODWARD 138KV CKT 1	133	153	0.03814	100.0881	GEN645001 1-FORT CALHOUN 1
2	10G	G07_038	TO->FROM	FPL SWITCH - WOODWARD 138KV CKT 1	133	153	0.03814	118.0828	BASE CASE
2	10G	G07_038	TO->FROM	FPL SWITCH - WOODWARD 138KV CKT 1	133	153	0.03809	105.5246	GRAND ISLAND - SWEETWATER 345KV CKT 1
2	10G	G07_038	TO->FROM	FPL SWITCH - WOODWARD 138KV CKT 1	133	153	0.03808	100.497	OGE3TERM4
2	10G	G07_038	TO->FROM	FPL SWITCH - WOODWARD 138KV CKT 1	133	153	0.03798	100.3692	WEATHERFORD JCT. - WEATHERFORD SOUTHEAST 138KV CKT 1
2	10G	G07_038	TO->FROM	FPL SWITCH - WOODWARD 138KV CKT 1	133	153	0.03797	100.4914	ALVA - KNOBHILL 69KV CKT 1
2	10G	G07_038	TO->FROM	FPL SWITCH - WOODWARD 138KV CKT 1	133	153	0.03784	105.5927	AMRN_OUTS6
2	10G	G07_038	TO->FROM	FPL SWITCH - WOODWARD 138KV CKT 1	133	153	0.03784	105.105	ELK CITY - FALCON ROAD 138KV CKT 1
2	10G	G07_038	TO->FROM	FPL SWITCH - WOODWARD 138KV CKT 1	133	153	0.03778	105.2973	WRTOD400
2	10G	G07_038	TO->FROM	FPL SWITCH - WOODWARD 138KV CKT 1	133	153	0.03775	108.0076	DEWEY - TALOGA 138KV CKT 1
2	10G	G07_038	TO->FROM	FPL SWITCH - WOODWARD 138KV CKT 1	133	153	0.03769	111.6982	WOODRING (WOODRNG2) 345/138/13.8KV TRANSFORMER CKT 1
2	10G	G07_038	TO->FROM	FPL SWITCH - WOODWARD 138KV CKT 1	133	153	0.03767	100.2202	LYDIA - VALLIANT 345KV CKT 1
2	10G	G07_038	TO->FROM	FPL SWITCH - WOODWARD 138KV CKT 1	133	153	0.03766	100.311	SPP-AEPW-01
3	10G	G07_038	TO->FROM	FPL SWITCH - WOODWARD 138KV CKT 1	133	153	0.03764	104.5285	BASE CASE
3	10G	G07_038	TO->FROM	FPL SWITCH - WOODWARD 138KV CKT 1	133	153	0.03764	103.7955	GEN560183 1-G07-51 0.6000
2	10G	G07_038	TO->FROM	FPL SWITCH - WOODWARD 138KV CKT 1	133	153	0.03763	118.7333	BASE CASE
2	10G	G07_038	TO->FROM	FPL SWITCH - WOODWARD 138KV CKT 1	133	153	0.03763	108.1232	GEN511848 1-SOUTHWESTERN STATION #3
2	10G	G07_038	TO->FROM	FPL SWITCH - WOODWARD 138KV CKT 1	133	153	0.03763	106.777	GEN335831 1-RIVERBEND UNIT#1
2	10G	G07_038	TO->FROM	FPL SWITCH - WOODWARD 138KV CKT 1	133	153	0.03763	100.3116	GEN527882 1-CUNNINGHAM GEN #2 20 KV
2	10G	G07_038	TO->FROM	FPL SWITCH - WOODWARD 138KV CKT 1	133	153	0.03763	100.5353	GEN560045 1-G05-17-1 34.500
2	10G	G07_038	TO->FROM	FPL SWITCH - WOODWARD 138KV CKT 1	133	153	0.03763	100.9736	GEN532751 1-WOLF CREEK GENERATING STATION UNIT 1
2	10G	G07_038	TO->FROM	FPL SWITCH - WOODWARD 138KV CKT 1	133	153	0.03763	106.5534	GEN520947 1-HUGO1
2	10G	G07_038	TO->FROM	FPL SWITCH - WOODWARD 138KV CKT 1	133	153	0.03763	106.2393	GEN509404 1-WELSH #1
2	10G	G07_038	TO->FROM	FPL SWITCH - WOODWARD 138KV CKT 1	133	153	0.03763	100.7099	GEN645001 1-FORT CALHOUN 1
2	10G	G07_038	TO->FROM	FPL SWITCH - WOODWARD 138KV CKT 1	133	153	0.03763	100.5353	GEN560049 1-G05-17-3 34.500
2	10G	G07_038	TO->FROM	FPL SWITCH - WOODWARD 138KV CKT 1	133	153	0.03763	106.9845	GEN520922 1-SLEEPING 138.00
2	10G	G07_038	TO->FROM	FPL SWITCH - WOODWARD 138KV CKT 1	133	153	0.03763	106.2394	GEN509405 1-WELSH #2
2	10G	G07_038	TO->FROM	FPL SWITCH - WOODWARD 138KV CKT 1	133	153	0.03763	106.0534	GEN337653 1-WHITE BLUFF UNIT #2
2	10G	G07_038	TO->FROM	FPL SWITCH - WOODWARD 138KV CKT 1	133	153	0.03763	115.9935	GEN560183 1-G07-51 0.6000
2	10G	G07_038	TO->FROM	FPL SWITCH - WOODWARD 138KV CKT 1	133	153	0.03763	101.0258	GEN527164 1-MUSTANG GEN #4 22 KV
2	10G	G07_038	TO->FROM	FPL SWITCH - WOODWARD 138KV CKT 1	133	153	0.03763	100.954	GEN542957 1-IATAN UNIT #1
2	10G	G07_038	TO->FROM	FPL SWITCH - WOODWARD 138KV CKT 1	133	153	0.03763	105.532	GEN338146 1-INDEPENDENCE UNIT #2
2	10G	G07_038	TO->FROM	FPL SWITCH - WOODWARD 138KV CKT 1	133	153	0.03763	106.2269	GEN512688 2-GRDA1 GSU2 22
2	10G	G07_038	TO->FROM	FPL SWITCH - WOODWARD 138KV CKT 1	133	153	0.03763	107.6139	GEN337911 1-ARKANSAS NUCLEAR ONE UNIT #2
2	10G	G07_038	TO->FROM	FPL SWITCH - WOODWARD 138KV CKT 1	133	153	0.03763	106.9292	GEN501801 1-DOLET HILLS UNIT1
2	10G	G07_038	TO->FROM	FPL SWITCH - WOODWARD 138KV CKT 1	133	153	0.03763	100.889	GEN527163 1-MUSTANG GEN #3 22 KV
2	10G	G07_038	TO->FROM	FPL SWITCH - WOODWARD 138KV CKT 1	133	153	0.03763	100.3908	GEN560032 1-G02-06 0.6000
2	10G	G07_038	TO->FROM	FPL SWITCH - WOODWARD 138KV CKT 1	133	153	0.03763	105.3809	GEN501812 1-RODEMACHER UNIT 2
2	10G	G07_038	TO->FROM	FPL SWITCH - WOODWARD 138KV CKT 1	133	153	0.03763	106.868	GEN509403 1-PIRKEY GENERATION
2	10G	G07_038	TO->FROM	FPL SWITCH - WOODWARD 138KV CKT 1	133	153	0.03763	100.2116	GEN539670 4-JUDSON LARGE GENERATOR
2	10G	G07_038	TO->FROM	FPL SWITCH - WOODWARD 138KV CKT 1	133	153	0.03763	106.8966	GEN337910 1-ARKANSAS NUCLEAR ONE UNIT #1
2	10G	G07_038	TO->FROM	FPL SWITCH - WOODWARD 138KV CKT 1	133	153	0.03763	101.0321	GEN527162 1-MUSTANG GEN #2
2	10G	G07_038	TO->FROM	FPL SWITCH - WOODWARD 138KV CKT 1	133	153	0.03763	101.1998	GEN560035 1-G03-13-1 0.6000
2	10G	G07_038	TO->FROM	FPL SWITCH - WOODWARD 138KV CKT 1	133	153	0.03763	105.7033	GEN501813 1-RODEMACHER UNIT 3
2	10G	G07_038	TO->FROM	FPL SWITCH - WOODWARD 138KV CKT 1	133	153	0.03763	101.0321	GEN527161 1-MUSTANG GEN #1
2	10G	G07_038	TO->FROM	FPL SWITCH - WOODWARD 138KV CKT 1	133	153	0.03763	105.7195	GEN512689 1-GRDA1 GSU1 22
2	10G	G07_038	TO->FROM	FPL SWITCH - WOODWARD 138KV CKT 1	133	153	0.03763	105.8264	GEN509394 1-FLINT CREEK
2	10G	G07_038	TO->FROM	FPL SWITCH - WOODWARD 138KV CKT 1	133	153	0.03763	101.1998	GEN560036 1-G03-13-2 0.6000
2	10G	G07_038	TO->FROM	FPL SWITCH - WOODWARD 138KV CKT 1	133	153	0.03763	105.1952	GEN521116 1-RHWIND4 138.00
2	10G	G07_038	TO->FROM	FPL SWITCH - WOODWARD 138KV CKT 1	133	153	0.03763	101.0284	GEN527165 1-Mustang Gen #5
2	10G	G07_038	TO->FROM	FPL SWITCH - WOODWARD 138KV CKT 1	133	153	0.03763	100.7653	GEN560067 1-G06-49-3 0.6000
2	10G	G07_038	TO->FROM	FPL SWITCH - WOODWARD 138KV CKT 1	133	153	0.03763	100.3352	GEN560065 1-G06-49-1 0.6000

Group Dispatch Scenario	SEASON	SOURCE	DIRECTION	MONTCOMMONNAME	RATEA	RATEB	TDF	LOADING%	CONTNAME
2	10G	G07_038	TO->FROM	FPL SWITCH - WOODWARD 138KV CKT 1	133	153	0.03763	105.8308	GEN511840 1-NORTHEASTERN STATION #3
2	10G	G07_038	TO->FROM	FPL SWITCH - WOODWARD 138KV CKT 1	133	153	0.03763	106.7773	GEN515225 1-MUSKOGEE 5G
2	10G	G07_038	TO->FROM	FPL SWITCH - WOODWARD 138KV CKT 1	133	153	0.03763	100.3857	GEN560066 1-G06-49-2 0.6000
2	10G	G07_038	TO->FROM	FPL SWITCH - WOODWARD 138KV CKT 1	133	153	0.03763	105.8033	GEN511841 1-NORTHEASTERN STATION #4
2	10G	G07_038	TO->FROM	FPL SWITCH - WOODWARD 138KV CKT 1	133	153	0.03763	101.0027	GEN527902 1-HOBBS PLANT #2 (CT)
2	10G	G07_038	TO->FROM	FPL SWITCH - WOODWARD 138KV CKT 1	133	153	0.03763	106.7343	GEN515223 1-MUSKOGEE 4G
2	10G	G07_038	TO->FROM	FPL SWITCH - WOODWARD 138KV CKT 1	133	153	0.03763	105.3711	GEN337041 1-GERALD ANDRUS
2	10G	G07_038	TO->FROM	FPL SWITCH - WOODWARD 138KV CKT 1	133	153	0.03763	106.7619	GEN515226 1-MUSKOGEE 6G
2	10G	G07_038	TO->FROM	FPL SWITCH - WOODWARD 138KV CKT 1	133	153	0.03763	106.2157	GEN511842 1-RIVERSIDE STATION #1
2	10G	G07_038	TO->FROM	FPL SWITCH - WOODWARD 138KV CKT 1	133	153	0.03763	100.0742	GEN532652 1-JEFFREY ENERGY CENTER UNIT 2
2	10G	G07_038	TO->FROM	FPL SWITCH - WOODWARD 138KV CKT 1	133	153	0.03763	100.108	GEN527903 1-HOBBS PLANT #3 (ST)
2	10G	G07_038	TO->FROM	FPL SWITCH - WOODWARD 138KV CKT 1	133	153	0.03763	108.238	GEN514806 1-SOONER UNIT 2
2	10G	G07_038	TO->FROM	FPL SWITCH - WOODWARD 138KV CKT 1	133	153	0.03763	107.4885	GEN336821 1-GRAND GULF UNIT
2	10G	G07_038	TO->FROM	FPL SWITCH - WOODWARD 138KV CKT 1	133	153	0.03763	106.2706	GEN511843 1-RIVERSIDE STATION #2
2	10G	G07_038	TO->FROM	FPL SWITCH - WOODWARD 138KV CKT 1	133	153	0.03763	105.6877	GEN560152 1-G06-46 0.6000
2	10G	G07_038	TO->FROM	FPL SWITCH - WOODWARD 138KV CKT 1	133	153	0.03763	110.8397	GEN514805 1-SOONER UNIT 1
2	10G	G07_038	TO->FROM	FPL SWITCH - WOODWARD 138KV CKT 1	133	153	0.03763	106.0014	GEN511839 1-NORTHEASTERN STATION #2
2	10G	G07_038	TO->FROM	FPL SWITCH - WOODWARD 138KV CKT 1	133	153	0.03763	100.0649	GEN532651 1-JEFFREY ENERGY CENTER UNIT 1
2	10G	G07_038	TO->FROM	FPL SWITCH - WOODWARD 138KV CKT 1	133	153	0.03763	100.1916	GEN560055 1-G06-44-2 0.6000
2	10G	G07_038	TO->FROM	FPL SWITCH - WOODWARD 138KV CKT 1	133	153	0.03763	101.0027	GEN527901 1-HOBBS PLANT #1 (CT)
2	10G	G07_038	TO->FROM	FPL SWITCH - WOODWARD 138KV CKT 1	133	153	0.03763	107.3299	GEN336153 1-WATERFORD UNIT#3
2	10G	G07_038	TO->FROM	FPL SWITCH - WOODWARD 138KV CKT 1	133	153	0.03763	100.0739	GEN532653 1-JEFFREY ENERGY CENTER UNIT 3
2	10G	G07_038	TO->FROM	FPL SWITCH - WOODWARD 138KV CKT 1	133	153	0.03763	108.7793	GEN515790 1-FPLWND2
2	10G	G07_038	TO->FROM	FPL SWITCH - WOODWARD 138KV CKT 1	133	153	0.03763	106.0456	GEN337652 1-WHITE BLUFF UNIT #1
2	10G	G07_038	TO->FROM	FPL SWITCH - WOODWARD 138KV CKT 1	133	153	0.03763	106.2396	GEN509406 1-WELSH #3
2	10G	G07_038	TO->FROM	FPL SWITCH - WOODWARD 138KV CKT 1	133	153	0.03757	101.0716	OGE3TERM4
2	10G	G07_038	TO->FROM	FPL SWITCH - WOODWARD 138KV CKT 1	133	153	0.0375	100.6564	OKEENE - WATONGA SW 69KV CKT 1
2	10G	G07_038	TO->FROM	FPL SWITCH - WOODWARD 138KV CKT 1	133	153	0.03746	100.9922	WEATHERFORD JCT. - WEATHERFORD SOUTHEAST 138KV CKT 1
2	10G	G07_038	TO->FROM	FPL SWITCH - WOODWARD 138KV CKT 1	133	153	0.03746	101.0671	ALVA - KNOBHILL 69KV CKT 1
2	10G	G07_038	TO->FROM	FPL SWITCH - WOODWARD 138KV CKT 1	133	153	0.03734	105.6677	ELK CITY - FALCON ROAD 138KV CKT 1
3	10G	G07_038	TO->FROM	FPL SWITCH - WOODWARD 138KV CKT 1	133	153	0.03719	101.4462	WOODRING (WOODRNG2) 345/138/13.8KV TRANSFORMER CKT 1
2	10G	G07_038	TO->FROM	FPL SWITCH - WOODWARD 138KV CKT 1	133	153	0.03718	112.2775	WOODRING (WOODRNG2) 345/138/13.8KV TRANSFORMER CKT 1
2	10G	G07_038	TO->FROM	FPL SWITCH - WOODWARD 138KV CKT 1	133	153	0.03718	100.1551	HELENAT2 69.000 - SALINE 69KV CKT 1
2	10G	G07_038	TO->FROM	FPL SWITCH - WOODWARD 138KV CKT 1	133	153	0.03716	100.8241	LYDIA - VALLIANT 345KV CKT 1
2	10G	G07_038	TO->FROM	FPL SWITCH - WOODWARD 138KV CKT 1	133	153	0.03715	100.914	SPP-AEPW-01
2	10G	G07_038	TO->FROM	FPL SWITCH - WOODWARD 138KV CKT 1	133	153	0.03699	101.2153	OKEENE - WATONGA SW 69KV CKT 1
2	10G	G07_038	TO->FROM	FPL SWITCH - WOODWARD 138KV CKT 1	133	153	0.03668	100.3264	KNOBHILL - SALINE 69KV CKT 1
2	10G	G07_038	TO->FROM	FPL SWITCH - WOODWARD 138KV CKT 1	133	153	0.03668	100.7181	HELENAT2 69.000 - SALINE 69KV CKT 1
2	10G	G07_038	TO->FROM	FPL SWITCH - WOODWARD 138KV CKT 1	133	153	0.03631	100.1539	DOVER SW - HENESSEY 138KV CKT 1
2	10G	G07_038	TO->FROM	FPL SWITCH - WOODWARD 138KV CKT 1	133	153	0.03605	109.0362	FINNEY SWITCHING STATION - STEVENS CO 345.00 345KV CKT 1
2	10G	G07_038	TO->FROM	FPL SWITCH - WOODWARD 138KV CKT 1	133	153	0.0358	100.7217	DOVER SW - HENESSEY 138KV CKT 1
2	10G	G07_038	TO->FROM	FPL SWITCH - WOODWARD 138KV CKT 1	133	153	0.03562	109.3439	FINNEY SWITCHING STATION - STEVENS CO 345.00 345KV CKT 1
2	10G	G07_038	TO->FROM	FPL SWITCH - WOODWARD 138KV CKT 1	133	153	0.03318	107.8209	COMANCH5 345.00 - WWRDEHV7 345.00 345KV CKT 1
2	10G	G07_038	TO->FROM	FPL SWITCH - WOODWARD 138KV CKT 1	133	153	0.03318	107.8209	COMANCH5 345.00 - WWRDEHV7 345.00 345KV CKT 2
2	10G	G07_038	TO->FROM	FPL SWITCH - WOODWARD 138KV CKT 1	133	153	0.03267	108.3936	COMANCH5 345.00 - WWRDEHV7 345.00 345KV CKT 2
2	10G	G07_038	TO->FROM	FPL SWITCH - WOODWARD 138KV CKT 1	133	153	0.03267	108.3936	COMANCH5 345.00 - WWRDEHV7 345.00 345KV CKT 1
5	10G	G07_038	TO->FROM	DEAF SMITH COUNTY INTERCHANGE - G06-39T 230.00 230KV CKT	319	351	0.03076	101.7073	GEN525561 1-TOLK GEN #1 24 KV
5	10G	G07_038	TO->FROM	DEAF SMITH COUNTY INTERCHANGE - G06-39T 230.00 230KV CKT	319	351	0.03076	104.1986	GEN525562 1-TOLK GEN #2 24 KV
5	10G	G07_038	TO->FROM	DEAF SMITH COUNTY INTERCHANGE - G06-39T 230.00 230KV CKT	319	351	0.03017	104.7025	GEN525562 1-TOLK GEN #2 24 KV
5	10G	G07_038	TO->FROM	DEAF SMITH COUNTY INTERCHANGE - G06-39T 230.00 230KV CKT	319	351	0.03017	102.5639	GEN525561 1-TOLK GEN #1 24 KV
2	10G	G07_043	FROM->TO	LAWEASOKLUNI	425	425	0.08561	111.3	BASE CASE
5	10G	G07_043	FROM->TO	LAWEASOKLUNI	425	425	0.08554	122.1	BASE CASE
2	10G	G07_043	FROM->TO	LAWEASOKLUNI	425	425	0.0853	110.7	BASE CASE
5	10G	G07_043	FROM->TO	LAWEASOKLUNI	425	425	0.0852	120.5	BASE CASE
6	10G	G07_043	FROM->TO	LAWEASOKLUNI	425	425	0.08446	128.6	BASE CASE
5	10G	G07_044	TO->FROM	FPL SWITCH - WOODWARD 138KV CKT 1	133	153	0.09804	120.5301	NORTHWEST - TATONGA EHV 345.00 345KV CKT 1
2	10G	G07_044	TO->FROM	FPL SWITCH - WOODWARD 138KV CKT 1	133	153	0.09803	150.9249	NORTHWEST - TATONGA EHV 345.00 345KV CKT 1

Group Dispatch Scenario	SEASON	SOURCE	DIRECTION	MONTCOMMONNAME	RATEA	RATEB	TDF	LOADING%	CONTNAME
6	10G	G07_044	TO->FROM	FPL SWITCH - WOODWARD 138KV CKT 1	133	153	0.09747	112.5493	NORTHWEST - TATONGA EHV 345.00 345KV CKT 1
4	10G	G07_044	TO->FROM	FPL SWITCH - WOODWARD 138KV CKT 1	133	153	0.09739	110.2918	NORTHWEST - TATONGA EHV 345.00 345KV CKT 1
3	10G	G07_044	TO->FROM	FPL SWITCH - WOODWARD 138KV CKT 1	133	153	0.09737	131.1963	NORTHWEST - TATONGA EHV 345.00 345KV CKT 1
5	10G	G07_044	TO->FROM	FPL SWITCH - WOODWARD 138KV CKT 1	133	153	0.09735	122.3248	NORTHWEST - TATONGA EHV 345.00 345KV CKT 1
2	10G	G07_044	TO->FROM	FPL SWITCH - WOODWARD 138KV CKT 1	133	153	0.09733	151.4358	NORTHWEST - TATONGA EHV 345.00 345KV CKT 1
5	10G	G07_044	TO->FROM	FPL SWITCH - WOODWARD 138KV CKT 1	133	153	0.07788	106.1716	PP-002
2	10G	G07_044	TO->FROM	FPL SWITCH - WOODWARD 138KV CKT 1	133	153	0.07786	131.6566	PP-002
5	10G	G07_044	TO->FROM	FPL SWITCH - WOODWARD 138KV CKT 1	133	153	0.07746	107.8422	PP-002
2	10G	G07_044	TO->FROM	FPL SWITCH - WOODWARD 138KV CKT 1	133	153	0.07743	132.2336	PP-002
5	10G	G07_044	TO->FROM	FPL SWITCH - WOODWARD 138KV CKT 1	133	153	0.06124	108.529	PP-004
2	10G	G07_044	TO->FROM	FPL SWITCH - WOODWARD 138KV CKT 1	133	153	0.06121	138.522	PP-004
6	10G	G07_044	TO->FROM	FPL SWITCH - WOODWARD 138KV CKT 1	133	153	0.06087	100.7719	PP-004
3	10G	G07_044	TO->FROM	FPL SWITCH - WOODWARD 138KV CKT 1	133	153	0.06077	117.4055	PP-004
5	10G	G07_044	TO->FROM	FPL SWITCH - WOODWARD 138KV CKT 1	133	153	0.06074	110.271	PP-004
2	10G	G07_044	TO->FROM	FPL SWITCH - WOODWARD 138KV CKT 1	133	153	0.06071	139.0566	PP-004
5	10G	G07_044	TO->FROM	FPL SWITCH - WOODWARD 138KV CKT 1	133	153	0.05866	102.8339	PP-005
2	10G	G07_044	TO->FROM	FPL SWITCH - WOODWARD 138KV CKT 1	133	153	0.05864	132.1268	PP-005
3	10G	G07_044	TO->FROM	FPL SWITCH - WOODWARD 138KV CKT 1	133	153	0.0582	118.0589	PP-005
5	10G	G07_044	TO->FROM	FPL SWITCH - WOODWARD 138KV CKT 1	133	153	0.05818	104.5751	PP-005
2	10G	G07_044	TO->FROM	FPL SWITCH - WOODWARD 138KV CKT 1	133	153	0.05815	132.677	PP-005
2	10G	G07_044	TO->FROM	FPL SWITCH - WOODWARD 138KV CKT 1	133	153	0.05242	121.8739	DEWEY - IODINE 138KV CKT 1
2	10G	G07_044	TO->FROM	FPL SWITCH - WOODWARD 138KV CKT 1	133	153	0.05242	123.0314	IODINE - WWRDEHV4 138.00 138KV CKT 1
3	10G	G07_044	TO->FROM	FPL SWITCH - WOODWARD 138KV CKT 1	133	153	0.05199	108.502	IODINE - WWRDEHV4 138.00 138KV CKT 1
3	10G	G07_044	TO->FROM	FPL SWITCH - WOODWARD 138KV CKT 1	133	153	0.05199	107.3417	DEWEY - IODINE 138KV CKT 1
2	10G	G07_044	TO->FROM	FPL SWITCH - WOODWARD 138KV CKT 1	133	153	0.05197	123.6773	IODINE - WWRDEHV4 138.00 138KV CKT 1
2	10G	G07_044	TO->FROM	FPL SWITCH - WOODWARD 138KV CKT 1	133	153	0.05197	122.5298	DEWEY - IODINE 138KV CKT 1
5	10G	G07_044	TO->FROM	FPL SWITCH - WOODWARD 138KV CKT 1	133	153	0.05053	103.6646	WOODWARD (WOODWRD2) 138/69/13.2KV TRANSFORMER CKT 1
2	10G	G07_044	TO->FROM	FPL SWITCH - WOODWARD 138KV CKT 1	133	153	0.05052	129.6591	WOODWARD (WOODWRD2) 138/69/13.2KV TRANSFORMER CKT 1
2	10G	G07_044	TO->FROM	FPL SWITCH - WOODWARD 138KV CKT 1	133	153	0.05052	116.5829	WOODWARD - WOODWARD 69KV CKT 1
2	10G	G07_044	TO->FROM	FPL SWITCH - WOODWARD 138KV CKT 1	133	153	0.05041	107.8209	COMANCH5 345.00 - WWRDEHV7 345.00 345KV CKT 2
2	10G	G07_044	TO->FROM	FPL SWITCH - WOODWARD 138KV CKT 1	133	153	0.05041	107.8209	COMANCH5 345.00 - WWRDEHV7 345.00 345KV CKT 1
6	10G	G07_044	TO->FROM	FPL SWITCH - WOODWARD 138KV CKT 1	133	153	0.05016	100.1109	WOODWARD (WOODWRD2) 138/69/13.2KV TRANSFORMER CKT 1
3	10G	G07_044	TO->FROM	FPL SWITCH - WOODWARD 138KV CKT 1	133	153	0.05009	116.1487	WOODWARD (WOODWRD2) 138/69/13.2KV TRANSFORMER CKT 1
5	10G	G07_044	TO->FROM	FPL SWITCH - WOODWARD 138KV CKT 1	133	153	0.05009	105.493	WOODWARD (WOODWRD2) 138/69/13.2KV TRANSFORMER CKT 1
3	10G	G07_044	TO->FROM	FPL SWITCH - WOODWARD 138KV CKT 1	133	153	0.05009	103.0948	WOODWARD - WOODWARD 69KV CKT 1
2	10G	G07_044	TO->FROM	FPL SWITCH - WOODWARD 138KV CKT 1	133	153	0.05007	130.3005	WOODWARD (WOODWRD2) 138/69/13.2KV TRANSFORMER CKT 1
2	10G	G07_044	TO->FROM	FPL SWITCH - WOODWARD 138KV CKT 1	133	153	0.05007	117.2225	WOODWARD - WOODWARD 69KV CKT 1
2	10G	G07_044	TO->FROM	FPL SWITCH - WOODWARD 138KV CKT 1	133	153	0.05001	108.3936	COMANCH5 345.00 - WWRDEHV7 345.00 345KV CKT 1
2	10G	G07_044	TO->FROM	FPL SWITCH - WOODWARD 138KV CKT 1	133	153	0.05001	108.3936	COMANCH5 345.00 - WWRDEHV7 345.00 345KV CKT 2
2	10G	G07_044	TO->FROM	FPL SWITCH - WOODWARD 138KV CKT 1	133	153	0.04982	100.4631	MIDPT_BUS 7 345.00 - WWRDEHV7 345.00 345KV CKT 1
2	10G	G07_044	TO->FROM	FPL SWITCH - WOODWARD 138KV CKT 1	133	153	0.04913	101.3058	MIDPT_BUS 7 345.00 - WWRDEHV7 345.00 345KV CKT 1
2	10G	G07_044	TO->FROM	FPL SWITCH - WOODWARD 138KV CKT 1	133	153	0.04913	100.617	MIDPT_BUS 7 345.00 - TUCO INTERCHANGE 345KV CKT 1
2	10G	G07_044	TO->FROM	FPL SWITCH - WOODWARD 138KV CKT 1	133	153	0.04784	109.2019	MED-LDG5 345.00 - WICHITA 345KV CKT 1
2	10G	G07_044	TO->FROM	FPL SWITCH - WOODWARD 138KV CKT 1	133	153	0.04784	109.2019	MED-LDG5 345.00 - WICHITA 345KV CKT 2
2	10G	G07_044	TO->FROM	FPL SWITCH - WOODWARD 138KV CKT 1	133	153	0.04753	105.2674	CIMARRON - NORTHWEST 345KV CKT 1
2	10G	G07_044	TO->FROM	FPL SWITCH - WOODWARD 138KV CKT 1	133	153	0.04743	109.7732	MED-LDG5 345.00 - WICHITA 345KV CKT 2
2	10G	G07_044	TO->FROM	FPL SWITCH - WOODWARD 138KV CKT 1	133	153	0.04743	109.7732	MED-LDG5 345.00 - WICHITA 345KV CKT 1
2	10G	G07_044	TO->FROM	FPL SWITCH - WOODWARD 138KV CKT 1	133	153	0.0471	105.8461	CIMARRON - NORTHWEST 345KV CKT 1
2	10G	G07_044	TO->FROM	FPL SWITCH - WOODWARD 138KV CKT 1	133	153	0.04704	107.8172	COMANCH5 345.00 - MED-LDG5 345.00 345KV CKT 1
2	10G	G07_044	TO->FROM	FPL SWITCH - WOODWARD 138KV CKT 1	133	153	0.04704	107.8172	COMANCH5 345.00 - MED-LDG5 345.00 345KV CKT 2
2	10G	G07_044	TO->FROM	FPL SWITCH - WOODWARD 138KV CKT 1	133	153	0.04663	108.388	COMANCH5 345.00 - MED-LDG5 345.00 345KV CKT 1
2	10G	G07_044	TO->FROM	FPL SWITCH - WOODWARD 138KV CKT 1	133	153	0.04663	108.388	COMANCH5 345.00 - MED-LDG5 345.00 345KV CKT 2
2	10G	G07_044	TO->FROM	FPL SWITCH - WOODWARD 138KV CKT 1	133	153	0.04638	107.0002	KNOLL345 345.00 - SPEARVILLE 345KV CKT 1
2	10G	G07_044	TO->FROM	FPL SWITCH - WOODWARD 138KV CKT 1	133	153	0.04608	104.6931	MINGO - RED WILLOW 345KV CKT 1
2	10G	G07_044	TO->FROM	FPL SWITCH - WOODWARD 138KV CKT 1	133	153	0.04597	107.563	KNOLL345 345.00 - SPEARVILLE 345KV CKT 1
2	10G	G07_044	TO->FROM	FPL SWITCH - WOODWARD 138KV CKT 1	133	153	0.04587	105.1758	FARGO JCT - WOODWARD 69KV CKT 1

Group Dispatch Scenario	SEASON	SOURCE	DIRECTION	MONTCOMMONNAME	RATEA	RATEB	TDF	LOADING%	CONTNAME
2	10G	G07_044	TO->FROM	FPL SWITCH - WOODWARD 138KV CKT 1	133	153	0.04585	105.7432	MINGO - SETAB 345KV CKT 1
2	10G	G07_044	TO->FROM	FPL SWITCH - WOODWARD 138KV CKT 1	133	153	0.0457	107.3907	DEWEY - TALOGA 138KV CKT 1
2	10G	G07_044	TO->FROM	FPL SWITCH - WOODWARD 138KV CKT 1	133	153	0.04566	105.2578	MINGO - RED WILLOW 345KV CKT 1
2	10G	G07_044	TO->FROM	FPL SWITCH - WOODWARD 138KV CKT 1	133	153	0.04553	109.0362	FINNEY SWITCHING STATION - STEVENS CO 345.00 345KV CKT 1
2	10G	G07_044	TO->FROM	FPL SWITCH - WOODWARD 138KV CKT 1	133	153	0.04553	105.1984	AXTELL - KNOLL345 345.00 345KV CKT 1
2	10G	G07_044	TO->FROM	FPL SWITCH - WOODWARD 138KV CKT 1	133	153	0.04546	105.7545	FARGO JCT - WOODWARD 69KV CKT 1
2	10G	G07_044	TO->FROM	FPL SWITCH - WOODWARD 138KV CKT 1	133	153	0.04544	106.2933	MINGO - SETAB 345KV CKT 1
5	10G	G07_044	TO->FROM	FPL SWITCH - WOODWARD 138KV CKT 1	133	153	0.04537	105.3803	LAWTON EASTSIDE - OKLAUNION 345KV CKT 1
2	10G	G07_044	TO->FROM	FPL SWITCH - WOODWARD 138KV CKT 1	133	153	0.04535	113.2595	G05-15T 345.00 - TUCO INTERCHANGE 345KV CKT 1
2	10G	G07_044	TO->FROM	FPL SWITCH - WOODWARD 138KV CKT 1	133	153	0.04535	126.1891	LAWTON EASTSIDE - OKLAUNION 345KV CKT 1
2	10G	G07_044	TO->FROM	FPL SWITCH - WOODWARD 138KV CKT 1	133	153	0.04535	116.1673	G05-15T 345.00 - OKLAUNION 345KV CKT 1
2	10G	G07_044	TO->FROM	FPL SWITCH - WOODWARD 138KV CKT 1	133	153	0.04528	108.0076	DEWEY - TALOGA 138KV CKT 1
6	10G	G07_044	TO->FROM	FPL SWITCH - WOODWARD 138KV CKT 1	133	153	0.04518	103.6113	LAWTON EASTSIDE - OKLAUNION 345KV CKT 1
3	10G	G07_044	TO->FROM	FPL SWITCH - WOODWARD 138KV CKT 1	133	153	0.0451	109.0416	LAWTON EASTSIDE - OKLAUNION 345KV CKT 1
2	10G	G07_044	TO->FROM	FPL SWITCH - WOODWARD 138KV CKT 1	133	153	0.04507	109.3439	FINNEY SWITCHING STATION - STEVENS CO 345.00 345KV CKT 1
5	10G	G07_044	TO->FROM	FPL SWITCH - WOODWARD 138KV CKT 1	133	153	0.04506	106.9611	LAWTON EASTSIDE - OKLAUNION 345KV CKT 1
2	10G	G07_044	TO->FROM	FPL SWITCH - WOODWARD 138KV CKT 1	133	153	0.04504	116.7903	G05-15T 345.00 - OKLAUNION 345KV CKT 1
2	10G	G07_044	TO->FROM	FPL SWITCH - WOODWARD 138KV CKT 1	133	153	0.04504	126.9661	LAWTON EASTSIDE - OKLAUNION 345KV CKT 1
2	10G	G07_044	TO->FROM	FPL SWITCH - WOODWARD 138KV CKT 1	133	153	0.04504	113.8468	G05-15T 345.00 - TUCO INTERCHANGE 345KV CKT 1
2	10G	G07_044	TO->FROM	FPL SWITCH - WOODWARD 138KV CKT 1	133	153	0.04496	104.9633	GRAND ISLAND - SWEETWATER 345KV CKT 1
2	10G	G07_044	TO->FROM	FPL SWITCH - WOODWARD 138KV CKT 1	133	153	0.04485	104.7297	WRTOD400
2	10G	G07_044	TO->FROM	FPL SWITCH - WOODWARD 138KV CKT 1	133	153	0.04475	106.1491	GEN335831 1-RIVERBEND UNIT#1
2	10G	G07_044	TO->FROM	FPL SWITCH - WOODWARD 138KV CKT 1	133	153	0.04475	106.6933	GEN336153 1-WATERFORD UNIT#3
2	10G	G07_044	TO->FROM	FPL SWITCH - WOODWARD 138KV CKT 1	133	153	0.04475	105.4311	GEN337652 1-WHITE BLUFF UNIT #1
2	10G	G07_044	TO->FROM	FPL SWITCH - WOODWARD 138KV CKT 1	133	153	0.04475	106.8418	GEN336821 1-GRAND GULF UNIT
2	10G	G07_044	TO->FROM	FPL SWITCH - WOODWARD 138KV CKT 1	133	153	0.04475	104.7593	GEN337041 1-GERALD ANDRUS
2	10G	G07_044	TO->FROM	FPL SWITCH - WOODWARD 138KV CKT 1	133	153	0.04475	105.4389	GEN337653 1-WHITE BLUFF UNIT #2
2	10G	G07_044	TO->FROM	FPL SWITCH - WOODWARD 138KV CKT 1	133	153	0.04475	106.2864	GEN509403 1-PIRKEY GENERATION
2	10G	G07_044	TO->FROM	FPL SWITCH - WOODWARD 138KV CKT 1	133	153	0.04475	105.6351	GEN511842 1-RIVERSIDE STATION #1
2	10G	G07_044	TO->FROM	FPL SWITCH - WOODWARD 138KV CKT 1	133	153	0.04475	105.1071	GEN501813 1-RODEMACHER UNIT 3
2	10G	G07_044	TO->FROM	FPL SWITCH - WOODWARD 138KV CKT 1	133	153	0.04475	106.196	GEN515225 1-MUSKOGEE 5G
2	10G	G07_044	TO->FROM	FPL SWITCH - WOODWARD 138KV CKT 1	133	153	0.04475	105.2174	GEN511841 1-NORTHEASTERN STATION #4
2	10G	G07_044	TO->FROM	FPL SWITCH - WOODWARD 138KV CKT 1	133	153	0.04475	100.5504	GEN527901 1-HOBBS PLANT #1 (CT)
2	10G	G07_044	TO->FROM	FPL SWITCH - WOODWARD 138KV CKT 1	133	153	0.04475	106.4108	GEN520922 1-SLEEPING 138.00
2	10G	G07_044	TO->FROM	FPL SWITCH - WOODWARD 138KV CKT 1	133	153	0.04475	105.2362	GEN509394 1-FLINT CREEK
2	10G	G07_044	TO->FROM	FPL SWITCH - WOODWARD 138KV CKT 1	133	153	0.04475	100.577	GEN527162 1-MUSTANG GEN #2
2	10G	G07_044	TO->FROM	FPL SWITCH - WOODWARD 138KV CKT 1	133	153	0.04475	100.574	GEN527165 1-Mustang Gen #5
2	10G	G07_044	TO->FROM	FPL SWITCH - WOODWARD 138KV CKT 1	133	153	0.04475	100.4418	GEN527163 1-MUSTANG GEN #3 22 KV
2	10G	G07_044	TO->FROM	FPL SWITCH - WOODWARD 138KV CKT 1	133	153	0.04475	108.2115	GEN515790 1-FPLWND2
2	10G	G07_044	TO->FROM	FPL SWITCH - WOODWARD 138KV CKT 1	133	153	0.04475	105.6637	GEN509404 1-WELSH #1
2	10G	G07_044	TO->FROM	FPL SWITCH - WOODWARD 138KV CKT 1	133	153	0.04475	105.2446	GEN511840 1-NORTHEASTERN STATION #3
2	10G	G07_044	TO->FROM	FPL SWITCH - WOODWARD 138KV CKT 1	133	153	0.04475	106.1806	GEN515226 1-MUSKOGEE 6G
2	10G	G07_044	TO->FROM	FPL SWITCH - WOODWARD 138KV CKT 1	133	153	0.04475	105.6638	GEN509405 1-WELSH #2
2	10G	G07_044	TO->FROM	FPL SWITCH - WOODWARD 138KV CKT 1	133	153	0.04475	106.1532	GEN515223 1-MUSKOGEE 4G
2	10G	G07_044	TO->FROM	FPL SWITCH - WOODWARD 138KV CKT 1	133	153	0.04475	105.664	GEN509406 1-WELSH #3
2	10G	G07_044	TO->FROM	FPL SWITCH - WOODWARD 138KV CKT 1	133	153	0.04475	105.4163	GEN511839 1-NORTHEASTERN STATION #2
2	10G	G07_044	TO->FROM	FPL SWITCH - WOODWARD 138KV CKT 1	133	153	0.04475	107.6471	GEN514806 1-SOONER UNIT 2
2	10G	G07_044	TO->FROM	FPL SWITCH - WOODWARD 138KV CKT 1	133	153	0.04475	104.9108	GEN338146 1-INDEPENDENCE UNIT #2
2	10G	G07_044	TO->FROM	FPL SWITCH - WOODWARD 138KV CKT 1	133	153	0.04475	106.2806	GEN337910 1-ARKANSAS NUCLEAR ONE UNIT #1
2	10G	G07_044	TO->FROM	FPL SWITCH - WOODWARD 138KV CKT 1	133	153	0.04475	105.6383	GEN512688 2-GRDA1 GSU2 22
2	10G	G07_044	TO->FROM	FPL SWITCH - WOODWARD 138KV CKT 1	133	153	0.04475	105.1355	GEN512689 1-GRDA1 GSU1 22
2	10G	G07_044	TO->FROM	FPL SWITCH - WOODWARD 138KV CKT 1	133	153	0.04475	106.9881	GEN337911 1-ARKANSAS NUCLEAR ONE UNIT #2
2	10G	G07_044	TO->FROM	FPL SWITCH - WOODWARD 138KV CKT 1	133	153	0.04475	107.5862	GEN511848 1-SOUTHWESTERN STATION #3
2	10G	G07_044	TO->FROM	FPL SWITCH - WOODWARD 138KV CKT 1	133	153	0.04475	105.9899	GEN520947 1-HUGO1
2	10G	G07_044	TO->FROM	FPL SWITCH - WOODWARD 138KV CKT 1	133	153	0.04475	100.577	GEN527161 1-MUSTANG GEN #1
2	10G	G07_044	TO->FROM	FPL SWITCH - WOODWARD 138KV CKT 1	133	153	0.04475	100.5504	GEN527902 1-HOBBS PLANT #2 (CT)
2	10G	G07_044	TO->FROM	FPL SWITCH - WOODWARD 138KV CKT 1	133	153	0.04475	100.5715	GEN527164 1-MUSTANG GEN #4 22 KV
2	10G	G07_044	TO->FROM	FPL SWITCH - WOODWARD 138KV CKT 1	133	153	0.04475	105.6898	GEN511843 1-RIVERSIDE STATION #2
2	10G	G07_044	TO->FROM	FPL SWITCH - WOODWARD 138KV CKT 1	133	153	0.04475	110.2485	GEN514805 1-SOONER UNIT 1
2	10G	G07_044	TO->FROM	FPL SWITCH - WOODWARD 138KV CKT 1	133	153	0.04475	104.6407	GEN521116 1-RHWIND4 138.00

Group Dispatch Scenario	SEASON	SOURCE	DIRECTION	MONTCOMMONNAME	RATEA	RATEB	TDF	LOADING%	CONTNAME
2	10G	G07_044	TO->FROM	FPL SWITCH - WOODWARD 138KV CKT 1	133	153	0.04475	104.7885	GEN501812 1-RODEMACHER UNIT 2
2	10G	G07_044	TO->FROM	FPL SWITCH - WOODWARD 138KV CKT 1	133	153	0.04475	106.3417	GEN501801 1-DOLET HILLS UNIT1
2	10G	G07_044	TO->FROM	FPL SWITCH - WOODWARD 138KV CKT 1	133	153	0.04475	100.0881	GEN645001 1-FORT CALHOUN 1
2	10G	G07_044	TO->FROM	FPL SWITCH - WOODWARD 138KV CKT 1	133	153	0.04475	100.6005	GEN560036 1-G03-13-2 0.6000
2	10G	G07_044	TO->FROM	FPL SWITCH - WOODWARD 138KV CKT 1	133	153	0.04475	105.12	GEN560152 1-G06-46 0.6000
2	10G	G07_044	TO->FROM	FPL SWITCH - WOODWARD 138KV CKT 1	133	153	0.04475	100.2899	GEN532751 1-WOLF CREEK GENERATING STATION UNIT 1
2	10G	G07_044	TO->FROM	FPL SWITCH - WOODWARD 138KV CKT 1	133	153	0.04475	100.1575	GEN560067 1-G06-49-3 0.6000
2	10G	G07_044	TO->FROM	FPL SWITCH - WOODWARD 138KV CKT 1	133	153	0.04475	115.4238	GEN560183 1-G07-51 0.6000
2	10G	G07_044	TO->FROM	FPL SWITCH - WOODWARD 138KV CKT 1	133	153	0.04475	100.3224	GEN542957 1-IATAN UNIT #1
2	10G	G07_044	TO->FROM	FPL SWITCH - WOODWARD 138KV CKT 1	133	153	0.04475	100.6005	GEN560035 1-G03-13-1 0.6000
2	10G	G07_044	TO->FROM	FPL SWITCH - WOODWARD 138KV CKT 1	133	153	0.04475	118.0828	BASE CASE
2	10G	G07_044	TO->FROM	FPL SWITCH - WOODWARD 138KV CKT 1	133	153	0.04472	100.3692	WEATHERFORD JCT. - WEATHERFORD SOUTHEAST 138KV CKT 1
2	10G	G07_044	TO->FROM	FPL SWITCH - WOODWARD 138KV CKT 1	133	153	0.04464	115.7736	GRAPEVINE INTERCHANGE - NICHOLS STATION 230KV CKT 1
2	10G	G07_044	TO->FROM	FPL SWITCH - WOODWARD 138KV CKT 1	133	153	0.04464	105.026	AMRN_OUTS6
2	10G	G07_044	TO->FROM	FPL SWITCH - WOODWARD 138KV CKT 1	133	153	0.04463	100.497	OGE3TERM4
2	10G	G07_044	TO->FROM	FPL SWITCH - WOODWARD 138KV CKT 1	133	153	0.04456	105.5246	GRAND ISLAND - SWEETWATER 345KV CKT 1
2	10G	G07_044	TO->FROM	FPL SWITCH - WOODWARD 138KV CKT 1	133	153	0.04455	100.4914	ALVA - KNOBHILL 69KV CKT 1
2	10G	G07_044	TO->FROM	FPL SWITCH - WOODWARD 138KV CKT 1	133	153	0.04451	106.7537	G07-25T 345.00 - G08-13T 345.00 345KV CKT 1
2	10G	G07_044	TO->FROM	FPL SWITCH - WOODWARD 138KV CKT 1	133	153	0.04451	105.0563	G07-25T 345.00 - WICHITA 345KV CKT 1
2	10G	G07_044	TO->FROM	FPL SWITCH - WOODWARD 138KV CKT 1	133	153	0.04451	108.753	G08-13T 345.00 - WOODRING 345KV CKT 1
2	10G	G07_044	TO->FROM	FPL SWITCH - WOODWARD 138KV CKT 1	133	153	0.04445	105.2973	WRTOD400
5	10G	G07_044	TO->FROM	FPL SWITCH - WOODWARD 138KV CKT 1	133	153	0.04444	102.2629	SPP-SWPS-03B
5	10G	G07_044	TO->FROM	FPL SWITCH - WOODWARD 138KV CKT 1	133	153	0.04444	101.6593	GRAPEVINE INTERCHANGE - STATELINE INTERCHANGE 230KV CKT 1
5	10G	G07_044	TO->FROM	FPL SWITCH - WOODWARD 138KV CKT 1	133	153	0.04444	112.6557	ELK CITY 230KV (ELKCTY-6) 230/138/13.8KV TRANSFORMER CKT 1
5	10G	G07_044	TO->FROM	FPL SWITCH - WOODWARD 138KV CKT 1	133	153	0.04444	101.6188	BECKHAM CO 230.00 - STATELINE INTERCHANGE 230KV CKT 1
5	10G	G07_044	TO->FROM	FPL SWITCH - WOODWARD 138KV CKT 1	133	153	0.04444	112.6639	BECKHAM CO 230.00 - ELK CITY 230KV 230KV CKT 1
2	10G	G07_044	TO->FROM	FPL SWITCH - WOODWARD 138KV CKT 1	133	153	0.04443	120.6768	BECKHAM CO 230.00 - STATELINE INTERCHANGE 230KV CKT 1
2	10G	G07_044	TO->FROM	FPL SWITCH - WOODWARD 138KV CKT 1	133	153	0.04443	121.5565	SPP-SWPS-03B
2	10G	G07_044	TO->FROM	FPL SWITCH - WOODWARD 138KV CKT 1	133	153	0.04443	131.4615	ELK CITY 230KV (ELKCTY-6) 230/138/13.8KV TRANSFORMER CKT 1
2	10G	G07_044	TO->FROM	FPL SWITCH - WOODWARD 138KV CKT 1	133	153	0.04443	120.7068	GRAPEVINE INTERCHANGE - STATELINE INTERCHANGE 230KV CKT 1
2	10G	G07_044	TO->FROM	FPL SWITCH - WOODWARD 138KV CKT 1	133	153	0.04443	131.4643	BECKHAM CO 230.00 - ELK CITY 230KV 230KV CKT 1
2	10G	G07_044	TO->FROM	FPL SWITCH - WOODWARD 138KV CKT 1	133	153	0.0444	105.105	ELK CITY - FALCON ROAD 138KV CKT 1
3	10G	G07_044	TO->FROM	FPL SWITCH - WOODWARD 138KV CKT 1	133	153	0.04437	104.5285	BASE CASE
3	10G	G07_044	TO->FROM	FPL SWITCH - WOODWARD 138KV CKT 1	133	153	0.04437	103.7955	GEN560183 1-G07-51 0.6000
2	10G	G07_044	TO->FROM	FPL SWITCH - WOODWARD 138KV CKT 1	133	153	0.04435	116.2812	GRAPEVINE INTERCHANGE - NICHOLS STATION 230KV CKT 1
2	10G	G07_044	TO->FROM	FPL SWITCH - WOODWARD 138KV CKT 1	133	153	0.04435	118.7333	BASE CASE
2	10G	G07_044	TO->FROM	FPL SWITCH - WOODWARD 138KV CKT 1	133	153	0.04435	100.2116	GEN539670 4-JUDSON LARGE GENERATOR
2	10G	G07_044	TO->FROM	FPL SWITCH - WOODWARD 138KV CKT 1	133	153	0.04435	100.9736	GEN532751 1-WOLF CREEK GENERATING STATION UNIT 1
2	10G	G07_044	TO->FROM	FPL SWITCH - WOODWARD 138KV CKT 1	133	153	0.04435	106.0456	GEN337652 1-WHITE BLUFF UNIT #1
2	10G	G07_044	TO->FROM	FPL SWITCH - WOODWARD 138KV CKT 1	133	153	0.04435	100.954	GEN542957 1-IATAN UNIT #1
2	10G	G07_044	TO->FROM	FPL SWITCH - WOODWARD 138KV CKT 1	133	153	0.04435	106.777	GEN335831 1-RIVERBEND UNIT#1
2	10G	G07_044	TO->FROM	FPL SWITCH - WOODWARD 138KV CKT 1	133	153	0.04435	101.0284	GEN527165 1-Mustang Gen #5
2	10G	G07_044	TO->FROM	FPL SWITCH - WOODWARD 138KV CKT 1	133	153	0.04435	106.0534	GEN337653 1-WHITE BLUFF UNIT #2
2	10G	G07_044	TO->FROM	FPL SWITCH - WOODWARD 138KV CKT 1	133	153	0.04435	101.0027	GEN527902 1-HOBBS PLANT #2 (CT)
2	10G	G07_044	TO->FROM	FPL SWITCH - WOODWARD 138KV CKT 1	133	153	0.04435	106.8966	GEN337910 1-ARKANSAS NUCLEAR ONE UNIT #1
2	10G	G07_044	TO->FROM	FPL SWITCH - WOODWARD 138KV CKT 1	133	153	0.04435	100.3116	GEN527882 1-CUNNINGHAM GEN #2 20 KV
2	10G	G07_044	TO->FROM	FPL SWITCH - WOODWARD 138KV CKT 1	133	153	0.04435	107.4885	GEN336821 1-GRAND GULF UNIT
2	10G	G07_044	TO->FROM	FPL SWITCH - WOODWARD 138KV CKT 1	133	153	0.04435	107.6139	GEN337911 1-ARKANSAS NUCLEAR ONE UNIT #2
2	10G	G07_044	TO->FROM	FPL SWITCH - WOODWARD 138KV CKT 1	133	153	0.04435	100.7099	GEN645001 1-FORT CALHOUN 1
2	10G	G07_044	TO->FROM	FPL SWITCH - WOODWARD 138KV CKT 1	133	153	0.04435	100.0739	GEN532653 1-JEFFREY ENERGY CENTER UNIT 3
2	10G	G07_044	TO->FROM	FPL SWITCH - WOODWARD 138KV CKT 1	133	153	0.04435	100.0649	GEN532651 1-JEFFREY ENERGY CENTER UNIT 1
2	10G	G07_044	TO->FROM	FPL SWITCH - WOODWARD 138KV CKT 1	133	153	0.04435	100.108	GEN527903 1-HOBBS PLANT #3 (ST)
2	10G	G07_044	TO->FROM	FPL SWITCH - WOODWARD 138KV CKT 1	133	153	0.04435	100.0742	GEN532652 1-JEFFREY ENERGY CENTER UNIT 2

Group Dispatch Scenario	SEASON	SOURCE	DIRECTION	MONTCOMMONNAME	RATEA	RATEB	TDF	LOADING%	CONTNAME
2	10G	G07_044	TO->FROM	FPL SWITCH - WOODWARD 138KV CKT 1	133	153	0.04435	101.0027	GEN527901 1-HOBBS PLANT #1 (CT)
2	10G	G07_044	TO->FROM	FPL SWITCH - WOODWARD 138KV CKT 1	133	153	0.04435	105.7195	GEN512689 1-GRDA1 GSU1 22
2	10G	G07_044	TO->FROM	FPL SWITCH - WOODWARD 138KV CKT 1	133	153	0.04435	100.3857	GEN560066 1-G06-49-2 0.6000
2	10G	G07_044	TO->FROM	FPL SWITCH - WOODWARD 138KV CKT 1	133	153	0.04435	106.5534	GEN520947 1-HUGO1
2	10G	G07_044	TO->FROM	FPL SWITCH - WOODWARD 138KV CKT 1	133	153	0.04435	101.0321	GEN527161 1-MUSTANG GEN #1
2	10G	G07_044	TO->FROM	FPL SWITCH - WOODWARD 138KV CKT 1	133	153	0.04435	115.9935	GEN560183 1-G07-51 0.6000
2	10G	G07_044	TO->FROM	FPL SWITCH - WOODWARD 138KV CKT 1	133	153	0.04435	100.1916	GEN560055 1-G06-44-2 0.6000
2	10G	G07_044	TO->FROM	FPL SWITCH - WOODWARD 138KV CKT 1	133	153	0.04435	106.2396	GEN509406 1-WELSH #3
2	10G	G07_044	TO->FROM	FPL SWITCH - WOODWARD 138KV CKT 1	133	153	0.04435	108.1232	GEN511848 1-SOUTHWESTERN STATION #3
2	10G	G07_044	TO->FROM	FPL SWITCH - WOODWARD 138KV CKT 1	133	153	0.04435	106.0014	GEN511839 1-NORTHEASTERN STATION #2
2	10G	G07_044	TO->FROM	FPL SWITCH - WOODWARD 138KV CKT 1	133	153	0.04435	108.7793	GEN515790 1-FPLWND2
2	10G	G07_044	TO->FROM	FPL SWITCH - WOODWARD 138KV CKT 1	133	153	0.04435	100.3352	GEN560065 1-G06-49-1 0.6000
2	10G	G07_044	TO->FROM	FPL SWITCH - WOODWARD 138KV CKT 1	133	153	0.04435	106.7619	GEN515226 1-MUSKOGEE 6G
2	10G	G07_044	TO->FROM	FPL SWITCH - WOODWARD 138KV CKT 1	133	153	0.04435	100.5353	GEN560049 1-G05-17-3 34.500
2	10G	G07_044	TO->FROM	FPL SWITCH - WOODWARD 138KV CKT 1	133	153	0.04435	105.8033	GEN511841 1-NORTHEASTERN STATION #4
2	10G	G07_044	TO->FROM	FPL SWITCH - WOODWARD 138KV CKT 1	133	153	0.04435	106.7773	GEN515225 1-MUSKOGEE 5G
2	10G	G07_044	TO->FROM	FPL SWITCH - WOODWARD 138KV CKT 1	133	153	0.04435	100.7653	GEN560067 1-G06-49-3 0.6000
2	10G	G07_044	TO->FROM	FPL SWITCH - WOODWARD 138KV CKT 1	133	153	0.04435	106.2157	GEN511842 1-RIVERSIDE STATION #1
2	10G	G07_044	TO->FROM	FPL SWITCH - WOODWARD 138KV CKT 1	133	153	0.04435	106.9845	GEN520922 1-SLEEPING 138.00
2	10G	G07_044	TO->FROM	FPL SWITCH - WOODWARD 138KV CKT 1	133	153	0.04435	106.7343	GEN515223 1-MUSKOGEE 4G
2	10G	G07_044	TO->FROM	FPL SWITCH - WOODWARD 138KV CKT 1	133	153	0.04435	106.2706	GEN511843 1-RIVERSIDE STATION #2
2	10G	G07_044	TO->FROM	FPL SWITCH - WOODWARD 138KV CKT 1	133	153	0.04435	105.6877	GEN560152 1-G06-46 0.6000
2	10G	G07_044	TO->FROM	FPL SWITCH - WOODWARD 138KV CKT 1	133	153	0.04435	105.8308	GEN511840 1-NORTHEASTERN STATION #3
2	10G	G07_044	TO->FROM	FPL SWITCH - WOODWARD 138KV CKT 1	133	153	0.04435	101.1998	GEN560036 1-G03-13-2 0.6000
2	10G	G07_044	TO->FROM	FPL SWITCH - WOODWARD 138KV CKT 1	133	153	0.04435	105.532	GEN338146 1-INDEPENDENCE UNIT #2
2	10G	G07_044	TO->FROM	FPL SWITCH - WOODWARD 138KV CKT 1	133	153	0.04435	100.3908	GEN560032 1-G02-06 0.6000
2	10G	G07_044	TO->FROM	FPL SWITCH - WOODWARD 138KV CKT 1	133	153	0.04435	101.0258	GEN527164 1-MUSTANG GEN #4 22 KV
2	10G	G07_044	TO->FROM	FPL SWITCH - WOODWARD 138KV CKT 1	133	153	0.04435	106.9292	GEN501801 1-DOLET HILLS UNIT1
2	10G	G07_044	TO->FROM	FPL SWITCH - WOODWARD 138KV CKT 1	133	153	0.04435	105.3809	GEN501812 1-RODEMACHER UNIT 2
2	10G	G07_044	TO->FROM	FPL SWITCH - WOODWARD 138KV CKT 1	133	153	0.04435	100.889	GEN527163 1-MUSTANG GEN #3 22 KV
2	10G	G07_044	TO->FROM	FPL SWITCH - WOODWARD 138KV CKT 1	133	153	0.04435	101.1998	GEN560035 1-G03-13-1 0.6000
2	10G	G07_044	TO->FROM	FPL SWITCH - WOODWARD 138KV CKT 1	133	153	0.04435	105.7033	GEN501813 1-RODEMACHER UNIT 3
2	10G	G07_044	TO->FROM	FPL SWITCH - WOODWARD 138KV CKT 1	133	153	0.04435	106.2394	GEN509405 1-WELSH #2
2	10G	G07_044	TO->FROM	FPL SWITCH - WOODWARD 138KV CKT 1	133	153	0.04435	101.0321	GEN527162 1-MUSTANG GEN #2
2	10G	G07_044	TO->FROM	FPL SWITCH - WOODWARD 138KV CKT 1	133	153	0.04435	106.2393	GEN509404 1-WELSH #1
2	10G	G07_044	TO->FROM	FPL SWITCH - WOODWARD 138KV CKT 1	133	153	0.04435	100.5353	GEN560045 1-G05-17-1 34.500
2	10G	G07_044	TO->FROM	FPL SWITCH - WOODWARD 138KV CKT 1	133	153	0.04435	107.3299	GEN336153 1-WATERFORD UNIT#3
2	10G	G07_044	TO->FROM	FPL SWITCH - WOODWARD 138KV CKT 1	133	153	0.04435	105.1952	GEN521116 1-RHWIND4 138.00
2	10G	G07_044	TO->FROM	FPL SWITCH - WOODWARD 138KV CKT 1	133	153	0.04435	106.2269	GEN512688 2-GRDA1 GSU2 22
2	10G	G07_044	TO->FROM	FPL SWITCH - WOODWARD 138KV CKT 1	133	153	0.04435	105.8264	GEN509394 1-FLINT CREEK
2	10G	G07_044	TO->FROM	FPL SWITCH - WOODWARD 138KV CKT 1	133	153	0.04435	105.3711	GEN337041 1-GERALD ANDRUS
2	10G	G07_044	TO->FROM	FPL SWITCH - WOODWARD 138KV CKT 1	133	153	0.04435	110.8397	GEN514805 1-SOONER UNIT 1
2	10G	G07_044	TO->FROM	FPL SWITCH - WOODWARD 138KV CKT 1	133	153	0.04435	108.238	GEN514806 1-SOONER UNIT 2
2	10G	G07_044	TO->FROM	FPL SWITCH - WOODWARD 138KV CKT 1	133	153	0.04435	106.868	GEN509403 1-PIRKEY GENERATION
3	10G	G07_044	TO->FROM	FPL SWITCH - WOODWARD 138KV CKT 1	133	153	0.04431	109.9459	BECKHAM CO 230.00 - ELK CITY 230KV 230KV CKT 1
3	10G	G07_044	TO->FROM	FPL SWITCH - WOODWARD 138KV CKT 1	133	153	0.04431	109.9407	ELK CITY 230KV (ELKCTY-6) 230/138/13.8KV TRANSFORMER CKT 1
2	10G	G07_044	TO->FROM	FPL SWITCH - WOODWARD 138KV CKT 1	133	153	0.04431	100.9922	WEATHERFORD JCT. - WEATHERFORD SOUTHEAST 138KV CKT 1
5	10G	G07_044	TO->FROM	FPL SWITCH - WOODWARD 138KV CKT 1	133	153	0.04427	113.4768	ELK CITY 230KV (ELKCTY-6) 230/138/13.8KV TRANSFORMER CKT 1
5	10G	G07_044	TO->FROM	FPL SWITCH - WOODWARD 138KV CKT 1	133	153	0.04427	113.4847	BECKHAM CO 230.00 - ELK CITY 230KV 230KV CKT 1
5	10G	G07_044	TO->FROM	FPL SWITCH - WOODWARD 138KV CKT 1	133	153	0.04427	102.9974	SPP-SWPS-03B
5	10G	G07_044	TO->FROM	FPL SWITCH - WOODWARD 138KV CKT 1	133	153	0.04427	102.4427	GRAPEVINE INTERCHANGE - STATELINE INTERCHANGE 230KV CKT 1
5	10G	G07_044	TO->FROM	FPL SWITCH - WOODWARD 138KV CKT 1	133	153	0.04427	102.4097	BECKHAM CO 230.00 - STATELINE INTERCHANGE 230KV CKT 1
2	10G	G07_044	TO->FROM	FPL SWITCH - WOODWARD 138KV CKT 1	133	153	0.04426	121.8661	SPP-SWPS-03B
2	10G	G07_044	TO->FROM	FPL SWITCH - WOODWARD 138KV CKT 1	133	153	0.04425	120.9754	GRAPEVINE INTERCHANGE - STATELINE INTERCHANGE 230KV CKT 1
2	10G	G07_044	TO->FROM	FPL SWITCH - WOODWARD 138KV CKT 1	133	153	0.04425	120.9478	BECKHAM CO 230.00 - STATELINE INTERCHANGE 230KV CKT 1

Appendix H

Group Dispatch Scenario	SEASON	SOURCE	DIRECTION	MONTCOMMONNAME	RATEA	RATEB	TDF	LOADING%	CONTNAME
2	10G	G07_044	TO->FROM	FPL SWITCH - WOODWARD 138KV CKT 1	133	153	0.04425	131.8642	BECKHAM CO 230.00 - ELK CITY 230KV 230KV CKT 1
2	10G	G07_044	TO->FROM	FPL SWITCH - WOODWARD 138KV CKT 1	133	153	0.04425	131.8555	ELK CITY 230KV (ELKCTY-6) 230/138/13.8KV TRANSFORMER CKT 1
2	10G	G07_044	TO->FROM	FPL SWITCH - WOODWARD 138KV CKT 1	133	153	0.04424	105.5927	AMRN_OUTS6
2	10G	G07_044	TO->FROM	FPL SWITCH - WOODWARD 138KV CKT 1	133	153	0.04423	101.0716	OGE3TERM4
2	10G	G07_044	TO->FROM	FPL SWITCH - WOODWARD 138KV CKT 1	133	153	0.04415	101.0671	ALVA - KNOBHILL 69KV CKT 1
2	10G	G07_044	TO->FROM	FPL SWITCH - WOODWARD 138KV CKT 1	133	153	0.04412	100.6564	OKEENE - WATONGA SW 69KV CKT 1
2	10G	G07_044	TO->FROM	FPL SWITCH - WOODWARD 138KV CKT 1	133	153	0.0441	107.3404	G07-25T 345.00 - G08-13T 345.00 345KV CKT 1
2	10G	G07_044	TO->FROM	FPL SWITCH - WOODWARD 138KV CKT 1	133	153	0.0441	105.6361	G07-25T 345.00 - WICHITA 345KV CKT 1
2	10G	G07_044	TO->FROM	FPL SWITCH - WOODWARD 138KV CKT 1	133	153	0.0441	109.3337	G08-13T 345.00 - WOODRING 345KV CKT 1
2	10G	G07_044	TO->FROM	FPL SWITCH - WOODWARD 138KV CKT 1	133	153	0.04408	100.2202	LYDIA - VALLIANT 345KV CKT 1
2	10G	G07_044	TO->FROM	FPL SWITCH - WOODWARD 138KV CKT 1	133	153	0.04407	100.311	SPP-AEPW-01
2	10G	G07_044	TO->FROM	FPL SWITCH - WOODWARD 138KV CKT 1	133	153	0.04401	105.6677	ELK CITY - FALCON ROAD 138KV CKT 1
2	10G	G07_044	TO->FROM	FPL SWITCH - WOODWARD 138KV CKT 1	133	153	0.04373	101.2153	OKEENE - WATONGA SW 69KV CKT 1
2	10G	G07_044	TO->FROM	FPL SWITCH - WOODWARD 138KV CKT 1	133	153	0.04368	100.8241	LYDIA - VALLIANT 345KV CKT 1
2	10G	G07_044	TO->FROM	FPL SWITCH - WOODWARD 138KV CKT 1	133	153	0.04368	100.914	SPP-AEPW-01
2	10G	G07_044	TO->FROM	FPL SWITCH - WOODWARD 138KV CKT 1	133	153	0.04354	100.1551	HELENAT2 69.000 - SALINE 69KV CKT 1
2	10G	G07_044	TO->FROM	FPL SWITCH - WOODWARD 138KV CKT 1	133	153	0.04329	111.6982	WOODRING (WOODRNG2) 345/138/13.8KV TRANSFORMER CKT 1
2	10G	G07_044	TO->FROM	FPL SWITCH - WOODWARD 138KV CKT 1	133	153	0.04314	100.3264	KNOBHILL - SALINE 69KV CKT 1
2	10G	G07_044	TO->FROM	FPL SWITCH - WOODWARD 138KV CKT 1	133	153	0.04314	100.7181	HELENAT2 69.000 - SALINE 69KV CKT 1
3	10G	G07_044	TO->FROM	FPL SWITCH - WOODWARD 138KV CKT 1	133	153	0.0429	101.4462	WOODRING (WOODRNG2) 345/138/13.8KV TRANSFORMER CKT 1
2	10G	G07_044	TO->FROM	FPL SWITCH - WOODWARD 138KV CKT 1	133	153	0.04289	112.2775	WOODRING (WOODRNG2) 345/138/13.8KV TRANSFORMER CKT 1
2	10G	G07_044	TO->FROM	FPL SWITCH - WOODWARD 138KV CKT 1	133	153	0.04205	100.1539	DOVER SW - HENESSEY 138KV CKT 1
2	10G	G07_044	TO->FROM	FPL SWITCH - WOODWARD 138KV CKT 1	133	153	0.04165	100.7217	DOVER SW - HENESSEY 138KV CKT 1
1	10G	G07_044	TO->FROM	EL RENO - ROMAN NOSE 138KV CKT 1	133	153	0.03937	143.439	NORTHWEST - TATONGA EHV 345.00 345KV CKT 1
1	10G	G07_044	TO->FROM	GLASS MOUNTAIN - MOORELAND 138KV CKT 1	124	124	0.03293	108.7186	NORTHWEST - TATONGA EHV 345.00 345KV CKT 1
5	10G	G07_044	FROM->TO	HARPER - MILAN TAP 138KV CKT 1	95.6	95.6	0.02905	111.8206	PP-005
2	10G	G07_044	TO->FROM	CLEARWATER - MILAN TAP 138KV CKT 1	110	110	0.02902	106.8548	PP-005
2	10G	G07_044	FROM->TO	HARPER - MILAN TAP 138KV CKT 1	95.6	95.6	0.02902	133.1428	PP-005
5	10G	G07_046	FROM->TO	ELK CITY 230KV (ELKCTY-6) 230/138/13.8KV TRANSFORMER CKT 1	287	287	0.1207	109.0949	PP-001
5	10G	G07_046	FROM->TO	ELK CITY 230KV (ELKCTY-6) 230/138/13.8KV TRANSFORMER CKT 1	287	287	0.1207	110.8034	PP-001
2	10G	G07_046	FROM->TO	ELK CITY 230KV (ELKCTY-6) 230/138/13.8KV TRANSFORMER CKT 1	287	287	0.12068	110.9247	PP-001
2	10G	G07_046	FROM->TO	ELK CITY 230KV (ELKCTY-6) 230/138/13.8KV TRANSFORMER CKT 1	287	287	0.12068	112.7523	PP-001
5	10G	G07_046	FROM->TO	ELK CITY 230KV (ELKCTY-6) 230/138/13.8KV TRANSFORMER CKT 1	287	287	0.1184	110.1414	PP-001
5	10G	G07_046	FROM->TO	ELK CITY 230KV (ELKCTY-6) 230/138/13.8KV TRANSFORMER CKT 1	287	287	0.1184	111.8999	PP-001
2	10G	G07_046	FROM->TO	ELK CITY 230KV (ELKCTY-6) 230/138/13.8KV TRANSFORMER CKT 1	287	287	0.11839	110.6381	PP-001
2	10G	G07_046	FROM->TO	ELK CITY 230KV (ELKCTY-6) 230/138/13.8KV TRANSFORMER CKT 1	287	287	0.11839	112.4501	PP-001
5	10G	G07_046	FROM->TO	ELK CITY 230KV (ELKCTY-6) 230/138/13.8KV TRANSFORMER CKT 1	287	287	0.08335	108.6027	LAWTON EASTSIDE - OKLAUNION 345KV CKT 1
5	10G	G07_046	FROM->TO	ELK CITY 230KV (ELKCTY-6) 230/138/13.8KV TRANSFORMER CKT 1	287	287	0.08335	110.2283	LAWTON EASTSIDE - OKLAUNION 345KV CKT 1
5	10G	G07_046	FROM->TO	ELK CITY 230KV (ELKCTY-6) 230/138/13.8KV TRANSFORMER CKT 1	287	287	0.08335	100.5529	G05-15T 345.00 - OKLAUNION 345KV CKT 1
5	10G	G07_046	FROM->TO	ELK CITY 230KV (ELKCTY-6) 230/138/13.8KV TRANSFORMER CKT 1	287	287	0.08335	101.8244	G05-15T 345.00 - OKLAUNION 345KV CKT 1
5	10G	G07_046	FROM->TO	ELK CITY 230KV (ELKCTY-6) 230/138/13.8KV TRANSFORMER CKT 1	287	287	0.08273	101.4979	G05-15T 345.00 - TUCO INTERCHANGE 345KV CKT 1
5	10G	G07_046	FROM->TO	ELK CITY 230KV (ELKCTY-6) 230/138/13.8KV TRANSFORMER CKT 1	287	287	0.08273	112.2883	LAWTON EASTSIDE - OKLAUNION 345KV CKT 1
5	10G	G07_046	FROM->TO	ELK CITY 230KV (ELKCTY-6) 230/138/13.8KV TRANSFORMER CKT 1	287	287	0.08273	102.82	G05-15T 345.00 - TUCO INTERCHANGE 345KV CKT 1
5	10G	G07_046	FROM->TO	ELK CITY 230KV (ELKCTY-6) 230/138/13.8KV TRANSFORMER CKT 1	287	287	0.08273	114.1123	LAWTON EASTSIDE - OKLAUNION 345KV CKT 1
5	10G	G07_046	FROM->TO	ELK CITY 230KV (ELKCTY-6) 230/138/13.8KV TRANSFORMER CKT 1	287	287	0.08273	103.8508	G05-15T 345.00 - OKLAUNION 345KV CKT 1
5	10G	G07_046	FROM->TO	ELK CITY 230KV (ELKCTY-6) 230/138/13.8KV TRANSFORMER CKT 1	287	287	0.08273	105.262	G05-15T 345.00 - OKLAUNION 345KV CKT 1
2	10G	G07_046	FROM->TO	ELK CITY 230KV (ELKCTY-6) 230/138/13.8KV TRANSFORMER CKT 1	287	287	0.08272	101.5926	LAWTON EASTSIDE - OKLAUNION 345KV CKT 1
2	10G	G07_046	FROM->TO	ELK CITY 230KV (ELKCTY-6) 230/138/13.8KV TRANSFORMER CKT 1	287	287	0.08272	100.3767	LAWTON EASTSIDE - OKLAUNION 345KV CKT 1
5	10G	G07_046	TO->FROM	DEAF SMITH COUNTY INTERCHANGE - G06-39T 230.00 230KV CKT	319	351	0.07315	101.7073	GEN525561 1-TOLK GEN #1 24 KV
5	10G	G07_046	TO->FROM	DEAF SMITH COUNTY INTERCHANGE - G06-39T 230.00 230KV CKT	319	351	0.07315	104.1986	GEN525562 1-TOLK GEN #2 24 KV
5	10G	G07_046	TO->FROM	DEAF SMITH COUNTY INTERCHANGE - G06-39T 230.00 230KV CKT	319	351	0.07281	102.5639	GEN525561 1-TOLK GEN #1 24 KV
5	10G	G07_046	TO->FROM	DEAF SMITH COUNTY INTERCHANGE - G06-39T 230.00 230KV CKT	319	351	0.07281	104.7025	GEN525562 1-TOLK GEN #2 24 KV
5	10G	G07_046	FROM->TO	ELK CITY 230KV (ELKCTY-6) 230/138/13.8KV TRANSFORMER CKT 1	287	287	0.07213	105.1352	G05-17T 345.00 - Hitchland Interchange 345KV CKT 1
5	10G	G07_046	FROM->TO	ELK CITY 230KV (ELKCTY-6) 230/138/13.8KV TRANSFORMER CKT 1	287	287	0.07213	103.9259	POTTER COUNTY INTERCHANGE (WAUK 90343-A) 345/230/13.2KV TRANSFORMER CKT 1
5	10G	G07_046	FROM->TO	ELK CITY 230KV (ELKCTY-6) 230/138/13.8KV TRANSFORMER CKT 1	287	287	0.07213	103.8569	G05-17T 345.00 - POTTER COUNTY INTERCHANGE 345KV CKT 1

Appendix H

Group Dispatch Scenario	SEASON	SOURCE	DIRECTION	MONTCOMMONNAME	RATEA	RATEB	TDF	LOADING%	CONTNAME
5	10G	G07_046	FROM->TO	ELK CITY 230KV (ELKCTY-6) 230/138/13.8KV TRANSFORMER CKT 1	287	287	0.07213	102.4632	G05-17T 345.00 - POTTER COUNTY INTERCHANGE 345KV CKT 1
5	10G	G07_046	FROM->TO	ELK CITY 230KV (ELKCTY-6) 230/138/13.8KV TRANSFORMER CKT 1	287	287	0.07213	106.6511	G05-17T 345.00 - Hitchland Interchange 345KV CKT 1
5	10G	G07_046	FROM->TO	ELK CITY 230KV (ELKCTY-6) 230/138/13.8KV TRANSFORMER CKT 1	287	287	0.07213	102.5299	POTTER COUNTY INTERCHANGE (WAUK 90343-A) 345/230/13.2KV TRANSFORMER CKT 1
5	10G	G07_046	TO->FROM	FPL SWITCH - WOODWARD 138KV CKT 1	133	153	0.05981	106.1716	PP-002
2	10G	G07_046	TO->FROM	FPL SWITCH - WOODWARD 138KV CKT 1	133	153	0.05979	131.6566	PP-002
5	10G	G07_046	TO->FROM	FPL SWITCH - WOODWARD 138KV CKT 1	133	153	0.05948	107.8422	PP-002
2	10G	G07_046	TO->FROM	FPL SWITCH - WOODWARD 138KV CKT 1	133	153	0.05945	132.2336	PP-002
5	10G	G07_046	TO->FROM	FPL SWITCH - WOODWARD 138KV CKT 1	133	153	0.05698	107.484	TATONGA EHV 345.00 - WWRDEHV7 345.00 345KV CKT 1
5	10G	G07_046	TO->FROM	FPL SWITCH - WOODWARD 138KV CKT 1	133	153	0.05698	120.5301	NORTHWEST - TATONGA EHV 345.00 345KV CKT 1
2	10G	G07_046	TO->FROM	FPL SWITCH - WOODWARD 138KV CKT 1	133	153	0.05696	138.0116	TATONGA EHV 345.00 - WWRDEHV7 345.00 345KV CKT 1
2	10G	G07_046	TO->FROM	FPL SWITCH - WOODWARD 138KV CKT 1	133	153	0.05696	150.9249	NORTHWEST - TATONGA EHV 345.00 345KV CKT 1
6	10G	G07_046	TO->FROM	FPL SWITCH - WOODWARD 138KV CKT 1	133	153	0.05664	112.5493	NORTHWEST - TATONGA EHV 345.00 345KV CKT 1
4	10G	G07_046	TO->FROM	FPL SWITCH - WOODWARD 138KV CKT 1	133	153	0.05656	110.2918	NORTHWEST - TATONGA EHV 345.00 345KV CKT 1
3	10G	G07_046	TO->FROM	FPL SWITCH - WOODWARD 138KV CKT 1	133	153	0.05654	118.1452	TATONGA EHV 345.00 - WWRDEHV7 345.00 345KV CKT 1
3	10G	G07_046	TO->FROM	FPL SWITCH - WOODWARD 138KV CKT 1	133	153	0.05654	131.1963	NORTHWEST - TATONGA EHV 345.00 345KV CKT 1
5	10G	G07_046	TO->FROM	FPL SWITCH - WOODWARD 138KV CKT 1	133	153	0.05652	109.3327	TATONGA EHV 345.00 - WWRDEHV7 345.00 345KV CKT 1
5	10G	G07_046	TO->FROM	FPL SWITCH - WOODWARD 138KV CKT 1	133	153	0.05652	122.3248	NORTHWEST - TATONGA EHV 345.00 345KV CKT 1
2	10G	G07_046	TO->FROM	FPL SWITCH - WOODWARD 138KV CKT 1	133	153	0.0565	138.5764	TATONGA EHV 345.00 - WWRDEHV7 345.00 345KV CKT 1
2	10G	G07_046	TO->FROM	FPL SWITCH - WOODWARD 138KV CKT 1	133	153	0.0565	151.4358	NORTHWEST - TATONGA EHV 345.00 345KV CKT 1
5	10G	G07_046	TO->FROM	FPL SWITCH - WOODWARD 138KV CKT 1	133	153	0.054	108.529	PP-004
2	10G	G07_046	TO->FROM	FPL SWITCH - WOODWARD 138KV CKT 1	133	153	0.05398	138.522	PP-004
6	10G	G07_046	TO->FROM	FPL SWITCH - WOODWARD 138KV CKT 1	133	153	0.05373	100.7719	PP-004
3	10G	G07_046	TO->FROM	FPL SWITCH - WOODWARD 138KV CKT 1	133	153	0.05362	117.4055	PP-004
5	10G	G07_046	TO->FROM	FPL SWITCH - WOODWARD 138KV CKT 1	133	153	0.0536	110.271	PP-004
2	10G	G07_046	TO->FROM	FPL SWITCH - WOODWARD 138KV CKT 1	133	153	0.05357	139.0566	PP-004
5	10G	G07_046	TO->FROM	FPL SWITCH - WOODWARD 138KV CKT 1	133	153	0.0515	102.8339	PP-005
2	10G	G07_046	TO->FROM	FPL SWITCH - WOODWARD 138KV CKT 1	133	153	0.05148	132.1268	PP-005
3	10G	G07_046	TO->FROM	FPL SWITCH - WOODWARD 138KV CKT 1	133	153	0.05113	118.0589	PP-005
5	10G	G07_046	TO->FROM	FPL SWITCH - WOODWARD 138KV CKT 1	133	153	0.05111	104.5751	PP-005
2	10G	G07_046	TO->FROM	FPL SWITCH - WOODWARD 138KV CKT 1	133	153	0.05108	132.677	PP-005
5	10G	G07_046	TO->FROM	FPL SWITCH - WOODWARD 138KV CKT 1	133	153	0.0494	102.2629	SPP-SWPS-03B
2	10G	G07_046	TO->FROM	FPL SWITCH - WOODWARD 138KV CKT 1	133	153	0.04939	121.5565	SPP-SWPS-03B
5	10G	G07_046	TO->FROM	FPL SWITCH - WOODWARD 138KV CKT 1	133	153	0.04936	102.9974	SPP-SWPS-03B
2	10G	G07_046	TO->FROM	FPL SWITCH - WOODWARD 138KV CKT 1	133	153	0.04934	121.8661	SPP-SWPS-03B
5	10G	G07_046	TO->FROM	FPL SWITCH - WOODWARD 138KV CKT 1	133	153	0.04927	112.6557	ELK CITY 230KV (ELKCTY-6) 230/138/13.8KV TRANSFORMER CKT 1
5	10G	G07_046	TO->FROM	FPL SWITCH - WOODWARD 138KV CKT 1	133	153	0.04927	101.6593	GRAPEVINE INTERCHANGE - STATELINE INTERCHANGE 230KV CKT 1
5	10G	G07_046	TO->FROM	FPL SWITCH - WOODWARD 138KV CKT 1	133	153	0.04927	112.6639	BECKHAM CO 230.00 - ELK CITY 230KV 230KV CKT 1
5	10G	G07_046	TO->FROM	FPL SWITCH - WOODWARD 138KV CKT 1	133	153	0.04927	101.6188	BECKHAM CO 230.00 - STATELINE INTERCHANGE 230KV CKT 1
2	10G	G07_046	TO->FROM	FPL SWITCH - WOODWARD 138KV CKT 1	133	153	0.04926	120.6768	BECKHAM CO 230.00 - STATELINE INTERCHANGE 230KV CKT 1
2	10G	G07_046	TO->FROM	FPL SWITCH - WOODWARD 138KV CKT 1	133	153	0.04926	120.7068	GRAPEVINE INTERCHANGE - STATELINE INTERCHANGE 230KV CKT 1
2	10G	G07_046	TO->FROM	FPL SWITCH - WOODWARD 138KV CKT 1	133	153	0.04926	131.4615	ELK CITY 230KV (ELKCTY-6) 230/138/13.8KV TRANSFORMER CKT 1
3	10G	G07_046	TO->FROM	FPL SWITCH - WOODWARD 138KV CKT 1	133	153	0.04926	109.9407	ELK CITY 230KV (ELKCTY-6) 230/138/13.8KV TRANSFORMER CKT 1
3	10G	G07_046	TO->FROM	FPL SWITCH - WOODWARD 138KV CKT 1	133	153	0.04926	109.9459	BECKHAM CO 230.00 - ELK CITY 230KV 230KV CKT 1
2	10G	G07_046	TO->FROM	FPL SWITCH - WOODWARD 138KV CKT 1	133	153	0.04926	131.4643	BECKHAM CO 230.00 - ELK CITY 230KV 230KV CKT 1
5	10G	G07_046	TO->FROM	FPL SWITCH - WOODWARD 138KV CKT 1	133	153	0.04922	113.4768	ELK CITY 230KV (ELKCTY-6) 230/138/13.8KV TRANSFORMER CKT 1
5	10G	G07_046	TO->FROM	FPL SWITCH - WOODWARD 138KV CKT 1	133	153	0.04922	102.4097	BECKHAM CO 230.00 - STATELINE INTERCHANGE 230KV CKT 1
5	10G	G07_046	TO->FROM	FPL SWITCH - WOODWARD 138KV CKT 1	133	153	0.04922	113.4847	BECKHAM CO 230.00 - ELK CITY 230KV 230KV CKT 1
5	10G	G07_046	TO->FROM	FPL SWITCH - WOODWARD 138KV CKT 1	133	153	0.04922	102.4427	GRAPEVINE INTERCHANGE - STATELINE INTERCHANGE 230KV CKT 1
2	10G	G07_046	TO->FROM	FPL SWITCH - WOODWARD 138KV CKT 1	133	153	0.04921	131.8555	ELK CITY 230KV (ELKCTY-6) 230/138/13.8KV TRANSFORMER CKT 1

Appendix H

Group Dispatch Scenario	SEASON	SOURCE	DIRECTION	MONTCOMMONNAME	RATEA	RATEB	TDF	LOADING%	CONTNAME
2	10G	G07_046	TO->FROM	FPL SWITCH - WOODWARD 138KV CKT 1	133	153	0.04921	120.9478	BECKHAM CO 230.00 - STATELINE INTERCHANGE 230KV CKT 1
2	10G	G07_046	TO->FROM	FPL SWITCH - WOODWARD 138KV CKT 1	133	153	0.04921	131.8642	BECKHAM CO 230.00 - ELK CITY 230KV 230KV CKT 1
2	10G	G07_046	TO->FROM	FPL SWITCH - WOODWARD 138KV CKT 1	133	153	0.04921	120.9754	GRAPEVINE INTERCHANGE - STATELINE INTERCHANGE 230KV CKT 1
2	10G	G07_046	TO->FROM	FPL SWITCH - WOODWARD 138KV CKT 1	133	153	0.04325	121.8739	DEWEY - IODINE 138KV CKT 1
2	10G	G07_046	TO->FROM	FPL SWITCH - WOODWARD 138KV CKT 1	133	153	0.04325	123.0314	IODINE - WWRDEHV4 138.00 138KV CKT 1
3	10G	G07_046	TO->FROM	FPL SWITCH - WOODWARD 138KV CKT 1	133	153	0.04292	107.3417	DEWEY - IODINE 138KV CKT 1
3	10G	G07_046	TO->FROM	FPL SWITCH - WOODWARD 138KV CKT 1	133	153	0.04292	108.502	IODINE - WWRDEHV4 138.00 138KV CKT 1
2	10G	G07_046	TO->FROM	FPL SWITCH - WOODWARD 138KV CKT 1	133	153	0.0429	122.5298	DEWEY - IODINE 138KV CKT 1
2	10G	G07_046	TO->FROM	FPL SWITCH - WOODWARD 138KV CKT 1	133	153	0.0429	123.6773	IODINE - WWRDEHV4 138.00 138KV CKT 1
2	10G	G07_046	TO->FROM	FPL SWITCH - WOODWARD 138KV CKT 1	133	153	0.04246	115.7736	GRAPEVINE INTERCHANGE - NICHOLS STATION 230KV CKT 1
2	10G	G07_046	TO->FROM	FPL SWITCH - WOODWARD 138KV CKT 1	133	153	0.04231	116.2812	GRAPEVINE INTERCHANGE - NICHOLS STATION 230KV CKT 1
5	10G	G07_046	TO->FROM	FPL SWITCH - WOODWARD 138KV CKT 1	133	153	0.04225	105.3803	LAWTON EASTSIDE - OKLAUNION 345KV CKT 1
2	10G	G07_046	TO->FROM	FPL SWITCH - WOODWARD 138KV CKT 1	133	153	0.04224	113.2595	G05-15T 345.00 - TUCO INTERCHANGE 345KV CKT 1
2	10G	G07_046	TO->FROM	FPL SWITCH - WOODWARD 138KV CKT 1	133	153	0.04224	116.1673	G05-15T 345.00 - OKLAUNION 345KV CKT 1
2	10G	G07_046	TO->FROM	FPL SWITCH - WOODWARD 138KV CKT 1	133	153	0.04224	126.1891	LAWTON EASTSIDE - OKLAUNION 345KV CKT 1
6	10G	G07_046	TO->FROM	FPL SWITCH - WOODWARD 138KV CKT 1	133	153	0.04223	103.6113	LAWTON EASTSIDE - OKLAUNION 345KV CKT 1
3	10G	G07_046	TO->FROM	FPL SWITCH - WOODWARD 138KV CKT 1	133	153	0.04215	109.0416	LAWTON EASTSIDE - OKLAUNION 345KV CKT 1
5	10G	G07_046	TO->FROM	FPL SWITCH - WOODWARD 138KV CKT 1	133	153	0.04211	106.9611	LAWTON EASTSIDE - OKLAUNION 345KV CKT 1
2	10G	G07_046	TO->FROM	FPL SWITCH - WOODWARD 138KV CKT 1	133	153	0.04209	116.7903	G05-15T 345.00 - OKLAUNION 345KV CKT 1
2	10G	G07_046	TO->FROM	FPL SWITCH - WOODWARD 138KV CKT 1	133	153	0.04209	126.9661	LAWTON EASTSIDE - OKLAUNION 345KV CKT 1
2	10G	G07_046	TO->FROM	FPL SWITCH - WOODWARD 138KV CKT 1	133	153	0.04209	113.8468	G05-15T 345.00 - TUCO INTERCHANGE 345KV CKT 1
5	10G	G07_046	TO->FROM	FPL SWITCH - WOODWARD 138KV CKT 1	133	153	0.04062	103.6646	WOODWARD (WOODWRD2) 138/69/13.2KV TRANSFORMER CKT 1
2	10G	G07_046	TO->FROM	FPL SWITCH - WOODWARD 138KV CKT 1	133	153	0.04061	129.6591	WOODWARD (WOODWRD2) 138/69/13.2KV TRANSFORMER CKT 1
2	10G	G07_046	TO->FROM	FPL SWITCH - WOODWARD 138KV CKT 1	133	153	0.04061	116.5829	WOODWARD - WOODWARD 69KV CKT 1
6	10G	G07_046	TO->FROM	FPL SWITCH - WOODWARD 138KV CKT 1	133	153	0.04035	100.1109	WOODWARD (WOODWRD2) 138/69/13.2KV TRANSFORMER CKT 1
3	10G	G07_046	TO->FROM	FPL SWITCH - WOODWARD 138KV CKT 1	133	153	0.04028	116.1487	WOODWARD (WOODWRD2) 138/69/13.2KV TRANSFORMER CKT 1
3	10G	G07_046	TO->FROM	FPL SWITCH - WOODWARD 138KV CKT 1	133	153	0.04028	103.0948	WOODWARD - WOODWARD 69KV CKT 1
5	10G	G07_046	TO->FROM	FPL SWITCH - WOODWARD 138KV CKT 1	133	153	0.04027	105.493	WOODWARD (WOODWRD2) 138/69/13.2KV TRANSFORMER CKT 1
2	10G	G07_046	TO->FROM	FPL SWITCH - WOODWARD 138KV CKT 1	133	153	0.04026	117.2225	WOODWARD - WOODWARD 69KV CKT 1
2	10G	G07_046	TO->FROM	FPL SWITCH - WOODWARD 138KV CKT 1	133	153	0.04026	130.3005	WOODWARD (WOODWRD2) 138/69/13.2KV TRANSFORMER CKT 1
2	10G	G07_046	TO->FROM	FPL SWITCH - WOODWARD 138KV CKT 1	133	153	0.03986	107.8209	COMANCH5 345.00 - WWRDEHV7 345.00 345KV CKT 2
2	10G	G07_046	TO->FROM	FPL SWITCH - WOODWARD 138KV CKT 1	133	153	0.03986	107.8209	COMANCH5 345.00 - WWRDEHV7 345.00 345KV CKT 1
2	10G	G07_046	TO->FROM	FPL SWITCH - WOODWARD 138KV CKT 1	133	153	0.03977	109.0362	FINNEY SWITCHING STATION - STEVENS CO 345.00 345KV CKT 1
2	10G	G07_046	TO->FROM	FPL SWITCH - WOODWARD 138KV CKT 1	133	153	0.03955	108.3936	COMANCH5 345.00 - WWRDEHV7 345.00 345KV CKT 2
2	10G	G07_046	TO->FROM	FPL SWITCH - WOODWARD 138KV CKT 1	133	153	0.03955	108.3936	COMANCH5 345.00 - WWRDEHV7 345.00 345KV CKT 1
2	10G	G07_046	TO->FROM	FPL SWITCH - WOODWARD 138KV CKT 1	133	153	0.03925	109.2019	MED-LDG5 345.00 - WICHITA 345KV CKT 2
2	10G	G07_046	TO->FROM	FPL SWITCH - WOODWARD 138KV CKT 1	133	153	0.03925	109.2019	MED-LDG5 345.00 - WICHITA 345KV CKT 1
2	10G	G07_046	TO->FROM	FPL SWITCH - WOODWARD 138KV CKT 1	133	153	0.03925	109.3439	FINNEY SWITCHING STATION - STEVENS CO 345.00 345KV CKT 1
2	10G	G07_046	TO->FROM	FPL SWITCH - WOODWARD 138KV CKT 1	133	153	0.03893	109.7732	MED-LDG5 345.00 - WICHITA 345KV CKT 2
2	10G	G07_046	TO->FROM	FPL SWITCH - WOODWARD 138KV CKT 1	133	153	0.03893	109.7732	MED-LDG5 345.00 - WICHITA 345KV CKT 1
2	10G	G07_046	TO->FROM	FPL SWITCH - WOODWARD 138KV CKT 1	133	153	0.03829	107.8172	COMANCH5 345.00 - MED-LDG5 345.00 345KV CKT 1
2	10G	G07_046	TO->FROM	FPL SWITCH - WOODWARD 138KV CKT 1	133	153	0.03829	107.8172	COMANCH5 345.00 - MED-LDG5 345.00 345KV CKT 2
2	10G	G07_046	TO->FROM	FPL SWITCH - WOODWARD 138KV CKT 1	133	153	0.03805	104.6931	MINGO - RED WILLOW 345KV CKT 1
2	10G	G07_046	TO->FROM	FPL SWITCH - WOODWARD 138KV CKT 1	133	153	0.03797	108.388	COMANCH5 345.00 - MED-LDG5 345.00 345KV CKT 2
2	10G	G07_046	TO->FROM	FPL SWITCH - WOODWARD 138KV CKT 1	133	153	0.03797	108.388	COMANCH5 345.00 - MED-LDG5 345.00 345KV CKT 1
2	10G	G07_046	TO->FROM	FPL SWITCH - WOODWARD 138KV CKT 1	133	153	0.03779	105.7432	MINGO - SETAB 345KV CKT 1
2	10G	G07_046	TO->FROM	FPL SWITCH - WOODWARD 138KV CKT 1	133	153	0.03771	105.2578	MINGO - RED WILLOW 345KV CKT 1
2	10G	G07_046	TO->FROM	FPL SWITCH - WOODWARD 138KV CKT 1	133	153	0.03768	107.0002	KNOLL345 345.00 - SPEARVILLE 345KV CKT 1
2	10G	G07_046	TO->FROM	FPL SWITCH - WOODWARD 138KV CKT 1	133	153	0.03745	106.2933	MINGO - SETAB 345KV CKT 1
2	10G	G07_046	TO->FROM	FPL SWITCH - WOODWARD 138KV CKT 1	133	153	0.03736	107.563	KNOLL345 345.00 - SPEARVILLE 345KV CKT 1

Group Dispatch Scenario	SEASON	SOURCE	DIRECTION	MONTCOMMONNAME	RATEA	RATEB	TDF	LOADING%	CONTNAME
2	10G	G07_046	TO->FROM	FPL SWITCH - WOODWARD 138KV CKT 1	133	153	0.03673	105.1984	AXTELL - KNOLL345 345.00 345KV CKT 1
2	10G	G07_046	TO->FROM	FPL SWITCH - WOODWARD 138KV CKT 1	133	153	0.03668	105.0563	G07-25T 345.00 - WICHITA 345KV CKT 1
2	10G	G07_046	TO->FROM	FPL SWITCH - WOODWARD 138KV CKT 1	133	153	0.03668	106.7537	G07-25T 345.00 - G08-13T 345.00 345KV CKT 1
2	10G	G07_046	TO->FROM	FPL SWITCH - WOODWARD 138KV CKT 1	133	153	0.03668	108.753	G08-13T 345.00 - WOODRING 345KV CKT 1
2	10G	G07_046	TO->FROM	FPL SWITCH - WOODWARD 138KV CKT 1	133	153	0.03667	105.1758	FARGO JCT - WOODWARD 69KV CKT 1
2	10G	G07_046	TO->FROM	FPL SWITCH - WOODWARD 138KV CKT 1	133	153	0.03636	105.6361	G07-25T 345.00 - WICHITA 345KV CKT 1
2	10G	G07_046	TO->FROM	FPL SWITCH - WOODWARD 138KV CKT 1	133	153	0.03636	109.3337	G08-13T 345.00 - WOODRING 345KV CKT 1
2	10G	G07_046	TO->FROM	FPL SWITCH - WOODWARD 138KV CKT 1	133	153	0.03636	107.3404	G07-25T 345.00 - G08-13T 345.00 345KV CKT 1
2	10G	G07_046	TO->FROM	FPL SWITCH - WOODWARD 138KV CKT 1	133	153	0.03635	105.7545	FARGO JCT - WOODWARD 69KV CKT 1
2	10G	G07_046	TO->FROM	FPL SWITCH - WOODWARD 138KV CKT 1	133	153	0.03623	105.2674	CIMARRON - NORTHWEST 345KV CKT 1
2	10G	G07_046	TO->FROM	FPL SWITCH - WOODWARD 138KV CKT 1	133	153	0.03608	104.9633	GRAND ISLAND - SWEETWATER 345KV CKT 1
2	10G	G07_046	TO->FROM	FPL SWITCH - WOODWARD 138KV CKT 1	133	153	0.03591	105.8461	CIMARRON - NORTHWEST 345KV CKT 1
2	10G	G07_046	TO->FROM	FPL SWITCH - WOODWARD 138KV CKT 1	133	153	0.03588	105.105	ELK CITY - FALCON ROAD 138KV CKT 1
2	10G	G07_046	TO->FROM	FPL SWITCH - WOODWARD 138KV CKT 1	133	153	0.03586	104.7297	WRTOD400
2	10G	G07_046	TO->FROM	FPL SWITCH - WOODWARD 138KV CKT 1	133	153	0.03576	105.5246	GRAND ISLAND - SWEETWATER 345KV CKT 1
2	10G	G07_046	TO->FROM	FPL SWITCH - WOODWARD 138KV CKT 1	133	153	0.03575	100.577	GEN527161 1-MUSTANG GEN #1
2	10G	G07_046	TO->FROM	FPL SWITCH - WOODWARD 138KV CKT 1	133	153	0.03575	110.2485	GEN514805 1-SOONER UNIT 1
2	10G	G07_046	TO->FROM	FPL SWITCH - WOODWARD 138KV CKT 1	133	153	0.03575	105.1355	GEN512689 1-GRDA1 GSU1 22
2	10G	G07_046	TO->FROM	FPL SWITCH - WOODWARD 138KV CKT 1	133	153	0.03575	100.577	GEN527162 1-MUSTANG GEN #2
2	10G	G07_046	TO->FROM	FPL SWITCH - WOODWARD 138KV CKT 1	133	153	0.03575	105.9899	GEN520947 1-HUGO1
2	10G	G07_046	TO->FROM	FPL SWITCH - WOODWARD 138KV CKT 1	133	153	0.03575	106.196	GEN515225 1-MUSKOGEE 5G
2	10G	G07_046	TO->FROM	FPL SWITCH - WOODWARD 138KV CKT 1	133	153	0.03575	106.1806	GEN515226 1-MUSKOGEE 6G
2	10G	G07_046	TO->FROM	FPL SWITCH - WOODWARD 138KV CKT 1	133	153	0.03575	106.1532	GEN515223 1-MUSKOGEE 4G
2	10G	G07_046	TO->FROM	FPL SWITCH - WOODWARD 138KV CKT 1	133	153	0.03575	108.2115	GEN515790 1-FPLWND2
2	10G	G07_046	TO->FROM	FPL SWITCH - WOODWARD 138KV CKT 1	133	153	0.03575	100.5715	GEN527164 1-MUSTANG GEN #4 22 KV
2	10G	G07_046	TO->FROM	FPL SWITCH - WOODWARD 138KV CKT 1	133	153	0.03575	106.4108	GEN520922 1-SLEEPING 138.00
2	10G	G07_046	TO->FROM	FPL SWITCH - WOODWARD 138KV CKT 1	133	153	0.03575	104.6407	GEN521116 1-RHWIND4 138.00
2	10G	G07_046	TO->FROM	FPL SWITCH - WOODWARD 138KV CKT 1	133	153	0.03575	107.6471	GEN514806 1-SOONER UNIT 2
2	10G	G07_046	TO->FROM	FPL SWITCH - WOODWARD 138KV CKT 1	133	153	0.03575	100.4418	GEN527163 1-MUSTANG GEN #3 22 KV
2	10G	G07_046	TO->FROM	FPL SWITCH - WOODWARD 138KV CKT 1	133	153	0.03575	105.1071	GEN501813 1-RODEMACHER UNIT 3
2	10G	G07_046	TO->FROM	FPL SWITCH - WOODWARD 138KV CKT 1	133	153	0.03575	105.664	GEN509406 1-WELSH #3
2	10G	G07_046	TO->FROM	FPL SWITCH - WOODWARD 138KV CKT 1	133	153	0.03575	105.6638	GEN509405 1-WELSH #2
2	10G	G07_046	TO->FROM	FPL SWITCH - WOODWARD 138KV CKT 1	133	153	0.03575	106.2864	GEN509403 1-PIRKEY GENERATION
2	10G	G07_046	TO->FROM	FPL SWITCH - WOODWARD 138KV CKT 1	133	153	0.03575	105.6637	GEN509404 1-WELSH #1
2	10G	G07_046	TO->FROM	FPL SWITCH - WOODWARD 138KV CKT 1	133	153	0.03575	106.8418	GEN336821 1-GRAND GULF UNIT
2	10G	G07_046	TO->FROM	FPL SWITCH - WOODWARD 138KV CKT 1	133	153	0.03575	100.5504	GEN527901 1-HOBBS PLANT #1 (CT)
2	10G	G07_046	TO->FROM	FPL SWITCH - WOODWARD 138KV CKT 1	133	153	0.03575	105.2362	GEN509394 1-FLINT CREEK
2	10G	G07_046	TO->FROM	FPL SWITCH - WOODWARD 138KV CKT 1	133	153	0.03575	106.1491	GEN335831 1-RIVERBEND UNIT#1
2	10G	G07_046	TO->FROM	FPL SWITCH - WOODWARD 138KV CKT 1	133	153	0.03575	104.7593	GEN337041 1-GERALD ANDRUS
2	10G	G07_046	TO->FROM	FPL SWITCH - WOODWARD 138KV CKT 1	133	153	0.03575	106.6933	GEN336153 1-WATERFORD UNIT#3
2	10G	G07_046	TO->FROM	FPL SWITCH - WOODWARD 138KV CKT 1	133	153	0.03575	100.5504	GEN527902 1-HOBBS PLANT #2 (CT)
2	10G	G07_046	TO->FROM	FPL SWITCH - WOODWARD 138KV CKT 1	133	153	0.03575	105.4311	GEN337652 1-WHITE BLUFF UNIT #1
2	10G	G07_046	TO->FROM	FPL SWITCH - WOODWARD 138KV CKT 1	133	153	0.03575	104.7885	GEN501812 1-RODEMACHER UNIT 2
2	10G	G07_046	TO->FROM	FPL SWITCH - WOODWARD 138KV CKT 1	133	153	0.03575	106.3417	GEN501801 1-DOLET HILLS UNIT1
2	10G	G07_046	TO->FROM	FPL SWITCH - WOODWARD 138KV CKT 1	133	153	0.03575	105.4389	GEN337653 1-WHITE BLUFF UNIT #2
2	10G	G07_046	TO->FROM	FPL SWITCH - WOODWARD 138KV CKT 1	133	153	0.03575	104.9108	GEN338146 1-INDEPENDENCE UNIT #2
2	10G	G07_046	TO->FROM	FPL SWITCH - WOODWARD 138KV CKT 1	133	153	0.03575	106.9881	GEN337911 1-ARKANSAS NUCLEAR ONE UNIT #2
2	10G	G07_046	TO->FROM	FPL SWITCH - WOODWARD 138KV CKT 1	133	153	0.03575	106.2806	GEN337910 1-ARKANSAS NUCLEAR ONE UNIT #1
2	10G	G07_046	TO->FROM	FPL SWITCH - WOODWARD 138KV CKT 1	133	153	0.03575	105.6898	GEN511843 1-RIVERSIDE STATION #2
2	10G	G07_046	TO->FROM	FPL SWITCH - WOODWARD 138KV CKT 1	133	153	0.03575	105.6351	GEN511842 1-RIVERSIDE STATION #1
2	10G	G07_046	TO->FROM	FPL SWITCH - WOODWARD 138KV CKT 1	133	153	0.03575	107.5862	GEN511848 1-SOUTHWESTERN STATION #3
2	10G	G07_046	TO->FROM	FPL SWITCH - WOODWARD 138KV CKT 1	133	153	0.03575	100.574	GEN527165 1-Mustang Gen #5
2	10G	G07_046	TO->FROM	FPL SWITCH - WOODWARD 138KV CKT 1	133	153	0.03575	105.2174	GEN511841 1-NORTHEASTERN STATION #4
2	10G	G07_046	TO->FROM	FPL SWITCH - WOODWARD 138KV CKT 1	133	153	0.03575	105.2446	GEN511840 1-NORTHEASTERN STATION #3
2	10G	G07_046	TO->FROM	FPL SWITCH - WOODWARD 138KV CKT 1	133	153	0.03575	105.4163	GEN511839 1-NORTHEASTERN STATION #2
2	10G	G07_046	TO->FROM	FPL SWITCH - WOODWARD 138KV CKT 1	133	153	0.03575	105.6383	GEN512688 2-GRDA1 GSU2 22
2	10G	G07_046	TO->FROM	FPL SWITCH - WOODWARD 138KV CKT 1	133	153	0.03575	105.026	AMRN_OUTS6
2	10G	G07_046	TO->FROM	FPL SWITCH - WOODWARD 138KV CKT 1	133	153	0.03575	100.0881	GEN645001 1-FORT CALHOUN 1
2	10G	G07_046	TO->FROM	FPL SWITCH - WOODWARD 138KV CKT 1	133	153	0.03575	100.6005	GEN560036 1-G03-13-2 0.6000
2	10G	G07_046	TO->FROM	FPL SWITCH - WOODWARD 138KV CKT 1	133	153	0.03575	115.4238	GEN560183 1-G07-51 0.6000
2	10G	G07_046	TO->FROM	FPL SWITCH - WOODWARD 138KV CKT 1	133	153	0.03575	100.6005	GEN560035 1-G03-13-1 0.6000
2	10G	G07_046	TO->FROM	FPL SWITCH - WOODWARD 138KV CKT 1	133	153	0.03575	100.2899	GEN532751 1-WOLF CREEK GENERATING STATION UNIT 1

Group Dispatch Scenario	SEASON	SOURCE	DIRECTION	MONTCOMMONNAME	RATEA	RATEB	TDF	LOADING%	CONTNAME
2	10G	G07_046	TO->FROM	FPL SWITCH - WOODWARD 138KV CKT 1	133	153	0.03575	100.3224	GEN542957 1-IATAN UNIT #1
2	10G	G07_046	TO->FROM	FPL SWITCH - WOODWARD 138KV CKT 1	133	153	0.03575	105.12	GEN560152 1-G06-46 0.6000
2	10G	G07_046	TO->FROM	FPL SWITCH - WOODWARD 138KV CKT 1	133	153	0.03575	100.1575	GEN560067 1-G06-49-3 0.6000
2	10G	G07_046	TO->FROM	FPL SWITCH - WOODWARD 138KV CKT 1	133	153	0.03575	118.0828	BASE CASE
2	10G	G07_046	TO->FROM	FPL SWITCH - WOODWARD 138KV CKT 1	133	153	0.03563	100.497	OGE3TERM4
2	10G	G07_046	TO->FROM	FPL SWITCH - WOODWARD 138KV CKT 1	133	153	0.03557	105.6677	ELK CITY - FALCON ROAD 138KV CKT 1
2	10G	G07_046	TO->FROM	FPL SWITCH - WOODWARD 138KV CKT 1	133	153	0.03555	105.2973	WRTOD400
2	10G	G07_046	TO->FROM	FPL SWITCH - WOODWARD 138KV CKT 1	133	153	0.0355	100.4914	ALVA - KNOBHILL 69KV CKT 1
3	10G	G07_046	TO->FROM	FPL SWITCH - WOODWARD 138KV CKT 1	133	153	0.03546	104.5285	BASE CASE
3	10G	G07_046	TO->FROM	FPL SWITCH - WOODWARD 138KV CKT 1	133	153	0.03546	103.7955	GEN560183 1-G07-51 0.6000
2	10G	G07_046	TO->FROM	FPL SWITCH - WOODWARD 138KV CKT 1	133	153	0.03544	118.7333	BASE CASE
2	10G	G07_046	TO->FROM	FPL SWITCH - WOODWARD 138KV CKT 1	133	153	0.03544	106.5534	GEN520947 1-HUGO1
2	10G	G07_046	TO->FROM	FPL SWITCH - WOODWARD 138KV CKT 1	133	153	0.03544	105.1952	GEN521116 1-RHWIND4 138.00
2	10G	G07_046	TO->FROM	FPL SWITCH - WOODWARD 138KV CKT 1	133	153	0.03544	106.2393	GEN509404 1-WELSH #1
2	10G	G07_046	TO->FROM	FPL SWITCH - WOODWARD 138KV CKT 1	133	153	0.03544	100.5353	GEN560049 1-G05-17-3 34.500
2	10G	G07_046	TO->FROM	FPL SWITCH - WOODWARD 138KV CKT 1	133	153	0.03544	100.5353	GEN560045 1-G05-17-1 34.500
2	10G	G07_046	TO->FROM	FPL SWITCH - WOODWARD 138KV CKT 1	133	153	0.03544	106.2394	GEN509405 1-WELSH #2
2	10G	G07_046	TO->FROM	FPL SWITCH - WOODWARD 138KV CKT 1	133	153	0.03544	105.3711	GEN337041 1-GERALD ANDRUS
2	10G	G07_046	TO->FROM	FPL SWITCH - WOODWARD 138KV CKT 1	133	153	0.03544	106.868	GEN509403 1-PIRKEY GENERATION
2	10G	G07_046	TO->FROM	FPL SWITCH - WOODWARD 138KV CKT 1	133	153	0.03544	101.0321	GEN527161 1-MUSTANG GEN #1
2	10G	G07_046	TO->FROM	FPL SWITCH - WOODWARD 138KV CKT 1	133	153	0.03544	105.8264	GEN509394 1-FLINT CREEK
2	10G	G07_046	TO->FROM	FPL SWITCH - WOODWARD 138KV CKT 1	133	153	0.03544	101.0321	GEN527162 1-MUSTANG GEN #2
2	10G	G07_046	TO->FROM	FPL SWITCH - WOODWARD 138KV CKT 1	133	153	0.03544	105.7033	GEN501813 1-RODEMACHER UNIT 3
2	10G	G07_046	TO->FROM	FPL SWITCH - WOODWARD 138KV CKT 1	133	153	0.03544	101.1998	GEN560035 1-G03-13-1 0.6000
2	10G	G07_046	TO->FROM	FPL SWITCH - WOODWARD 138KV CKT 1	133	153	0.03544	100.889	GEN527163 1-MUSTANG GEN #3 22 KV
2	10G	G07_046	TO->FROM	FPL SWITCH - WOODWARD 138KV CKT 1	133	153	0.03544	105.3809	GEN501812 1-RODEMACHER UNIT 2
2	10G	G07_046	TO->FROM	FPL SWITCH - WOODWARD 138KV CKT 1	133	153	0.03544	101.0258	GEN527164 1-MUSTANG GEN #4 22 KV
2	10G	G07_046	TO->FROM	FPL SWITCH - WOODWARD 138KV CKT 1	133	153	0.03544	106.9292	GEN501801 1-DOLET HILLS UNIT1
2	10G	G07_046	TO->FROM	FPL SWITCH - WOODWARD 138KV CKT 1	133	153	0.03544	100.3908	GEN560032 1-G02-06 0.6000
2	10G	G07_046	TO->FROM	FPL SWITCH - WOODWARD 138KV CKT 1	133	153	0.03544	101.0284	GEN527165 1-Mustang Gen #5
2	10G	G07_046	TO->FROM	FPL SWITCH - WOODWARD 138KV CKT 1	133	153	0.03544	105.532	GEN338146 1-INDEPENDENCE UNIT #2
2	10G	G07_046	TO->FROM	FPL SWITCH - WOODWARD 138KV CKT 1	133	153	0.03544	100.954	GEN542957 1-IATAN UNIT #1
2	10G	G07_046	TO->FROM	FPL SWITCH - WOODWARD 138KV CKT 1	133	153	0.03544	101.1998	GEN560036 1-G03-13-2 0.6000
2	10G	G07_046	TO->FROM	FPL SWITCH - WOODWARD 138KV CKT 1	133	153	0.03544	106.2157	GEN511842 1-RIVERSIDE STATION #1
2	10G	G07_046	TO->FROM	FPL SWITCH - WOODWARD 138KV CKT 1	133	153	0.03544	105.7195	GEN512689 1-GRDA1 GSU1 22
2	10G	G07_046	TO->FROM	FPL SWITCH - WOODWARD 138KV CKT 1	133	153	0.03544	100.7099	GEN645001 1-FORT CALHOUN 1
2	10G	G07_046	TO->FROM	FPL SWITCH - WOODWARD 138KV CKT 1	133	153	0.03544	110.8397	GEN514805 1-SOONER UNIT 1
2	10G	G07_046	TO->FROM	FPL SWITCH - WOODWARD 138KV CKT 1	133	153	0.03544	106.2269	GEN512688 2-GRDA1 GSU2 22
2	10G	G07_046	TO->FROM	FPL SWITCH - WOODWARD 138KV CKT 1	133	153	0.03544	115.9935	GEN560183 1-G07-51 0.6000
2	10G	G07_046	TO->FROM	FPL SWITCH - WOODWARD 138KV CKT 1	133	153	0.03544	108.1232	GEN511848 1-SOUTHWESTERN STATION #3
2	10G	G07_046	TO->FROM	FPL SWITCH - WOODWARD 138KV CKT 1	133	153	0.03544	108.238	GEN514806 1-SOONER UNIT 2
2	10G	G07_046	TO->FROM	FPL SWITCH - WOODWARD 138KV CKT 1	133	153	0.03544	105.6877	GEN560152 1-G06-46 0.6000
2	10G	G07_046	TO->FROM	FPL SWITCH - WOODWARD 138KV CKT 1	133	153	0.03544	106.7343	GEN515223 1-MUSKOGEE 4G
2	10G	G07_046	TO->FROM	FPL SWITCH - WOODWARD 138KV CKT 1	133	153	0.03544	106.2396	GEN509406 1-WELSH #3
2	10G	G07_046	TO->FROM	FPL SWITCH - WOODWARD 138KV CKT 1	133	153	0.03544	100.1916	GEN560055 1-G06-44-2 0.6000
2	10G	G07_046	TO->FROM	FPL SWITCH - WOODWARD 138KV CKT 1	133	153	0.03544	106.7773	GEN515225 1-MUSKOGEE 5G
2	10G	G07_046	TO->FROM	FPL SWITCH - WOODWARD 138KV CKT 1	133	153	0.03544	100.7653	GEN560067 1-G06-49-3 0.6000
2	10G	G07_046	TO->FROM	FPL SWITCH - WOODWARD 138KV CKT 1	133	153	0.03544	105.8033	GEN511841 1-NORTHEASTERN STATION #4
2	10G	G07_046	TO->FROM	FPL SWITCH - WOODWARD 138KV CKT 1	133	153	0.03544	106.7619	GEN515226 1-MUSKOGEE 6G
2	10G	G07_046	TO->FROM	FPL SWITCH - WOODWARD 138KV CKT 1	133	153	0.03544	100.3857	GEN560066 1-G06-49-2 0.6000
2	10G	G07_046	TO->FROM	FPL SWITCH - WOODWARD 138KV CKT 1	133	153	0.03544	105.8308	GEN511840 1-NORTHEASTERN STATION #3
2	10G	G07_046	TO->FROM	FPL SWITCH - WOODWARD 138KV CKT 1	133	153	0.03544	108.7793	GEN515790 1-FPLWND2
2	10G	G07_046	TO->FROM	FPL SWITCH - WOODWARD 138KV CKT 1	133	153	0.03544	100.3352	GEN560065 1-G06-49-1 0.6000
2	10G	G07_046	TO->FROM	FPL SWITCH - WOODWARD 138KV CKT 1	133	153	0.03544	106.0014	GEN511839 1-NORTHEASTERN STATION #2
2	10G	G07_046	TO->FROM	FPL SWITCH - WOODWARD 138KV CKT 1	133	153	0.03544	106.9845	GEN520922 1-SLEEPING 138.00
2	10G	G07_046	TO->FROM	FPL SWITCH - WOODWARD 138KV CKT 1	133	153	0.03544	106.2706	GEN511843 1-RIVERSIDE STATION #2
2	10G	G07_046	TO->FROM	FPL SWITCH - WOODWARD 138KV CKT 1	133	153	0.03544	100.0742	GEN532652 1-JEFFREY ENERGY CENTER UNIT 2
2	10G	G07_046	TO->FROM	FPL SWITCH - WOODWARD 138KV CKT 1	133	153	0.03544	100.2116	GEN539670 4-JUDSON LARGE GENERATOR
2	10G	G07_046	TO->FROM	FPL SWITCH - WOODWARD 138KV CKT 1	133	153	0.03544	100.9736	GEN532751 1-WOLF CREEK GENERATING STATION UNIT 1
2	10G	G07_046	TO->FROM	FPL SWITCH - WOODWARD 138KV CKT 1	133	153	0.03544	105.5927	AMRN_OUTS6
2	10G	G07_046	TO->FROM	FPL SWITCH - WOODWARD 138KV CKT 1	133	153	0.03544	100.0649	GEN532651 1-JEFFREY ENERGY CENTER UNIT 1
2	10G	G07_046	TO->FROM	FPL SWITCH - WOODWARD 138KV CKT 1	133	153	0.03544	100.0739	GEN532653 1-JEFFREY ENERGY CENTER UNIT 3

Group Dispatch Scenario	SEASON	SOURCE	DIRECTION	MONTCOMMONNAME	RATEA	RATEB	TDF	LOADING%	CONTNAME
2	10G	G07_046	TO->FROM	FPL SWITCH - WOODWARD 138KV CKT 1	133	153	0.03544	100.108	GEN527903 1-HOBBS PLANT #3 (ST)
2	10G	G07_046	TO->FROM	FPL SWITCH - WOODWARD 138KV CKT 1	133	153	0.03544	106.777	GEN335831 1-RIVERBEND UNIT#1
2	10G	G07_046	TO->FROM	FPL SWITCH - WOODWARD 138KV CKT 1	133	153	0.03544	106.0534	GEN337653 1-WHITE BLUFF UNIT #2
2	10G	G07_046	TO->FROM	FPL SWITCH - WOODWARD 138KV CKT 1	133	153	0.03544	100.3116	GEN527882 1-CUNNINGHAM GEN #2 20 KV
2	10G	G07_046	TO->FROM	FPL SWITCH - WOODWARD 138KV CKT 1	133	153	0.03544	107.3299	GEN336153 1-WATERFORD UNIT#3
2	10G	G07_046	TO->FROM	FPL SWITCH - WOODWARD 138KV CKT 1	133	153	0.03544	106.8966	GEN337910 1-ARKANSAS NUCLEAR ONE UNIT #1
2	10G	G07_046	TO->FROM	FPL SWITCH - WOODWARD 138KV CKT 1	133	153	0.03544	107.6139	GEN337911 1-ARKANSAS NUCLEAR ONE UNIT #2
2	10G	G07_046	TO->FROM	FPL SWITCH - WOODWARD 138KV CKT 1	133	153	0.03544	106.0456	GEN337652 1-WHITE BLUFF UNIT #1
2	10G	G07_046	TO->FROM	FPL SWITCH - WOODWARD 138KV CKT 1	133	153	0.03544	101.0027	GEN527901 1-HOBBS PLANT #1 (CT)
2	10G	G07_046	TO->FROM	FPL SWITCH - WOODWARD 138KV CKT 1	133	153	0.03544	101.0027	GEN527902 1-HOBBS PLANT #2 (CT)
2	10G	G07_046	TO->FROM	FPL SWITCH - WOODWARD 138KV CKT 1	133	153	0.03544	107.4885	GEN336821 1-GRAND GULF UNIT
2	10G	G07_046	TO->FROM	FPL SWITCH - WOODWARD 138KV CKT 1	133	153	0.03532	101.0716	OGE3TERM4
2	10G	G07_046	TO->FROM	FPL SWITCH - WOODWARD 138KV CKT 1	133	153	0.03519	101.0671	ALVA - KNOBHILL 69KV CKT 1
2	10G	G07_046	TO->FROM	FPL SWITCH - WOODWARD 138KV CKT 1	133	153	0.0351	100.311	SPP-AEPW-01
2	10G	G07_046	TO->FROM	FPL SWITCH - WOODWARD 138KV CKT 1	133	153	0.0351	100.2202	LYDIA - VALLIANT 345KV CKT 1
2	10G	G07_046	TO->FROM	FPL SWITCH - WOODWARD 138KV CKT 1	133	153	0.03504	100.6564	OKEENE - WATONGA SW 69KV CKT 1
2	10G	G07_046	TO->FROM	FPL SWITCH - WOODWARD 138KV CKT 1	133	153	0.03489	107.3907	DEWEY - TALOGA 138KV CKT 1
2	10G	G07_046	TO->FROM	FPL SWITCH - WOODWARD 138KV CKT 1	133	153	0.0348	100.8241	LYDIA - VALLIANT 345KV CKT 1
2	10G	G07_046	TO->FROM	FPL SWITCH - WOODWARD 138KV CKT 1	133	153	0.03479	100.914	SPP-AEPW-01
2	10G	G07_046	TO->FROM	FPL SWITCH - WOODWARD 138KV CKT 1	133	153	0.03474	101.2153	OKEENE - WATONGA SW 69KV CKT 1
2	10G	G07_046	TO->FROM	FPL SWITCH - WOODWARD 138KV CKT 1	133	153	0.03472	100.3692	WEATHERFORD JCT. - WEATHERFORD SOUTHEAST 138KV CKT 1
2	10G	G07_046	TO->FROM	FPL SWITCH - WOODWARD 138KV CKT 1	133	153	0.03468	100.4631	MIDPT_BUS 7 345.00 - WWRDEHV7 345.00 345KV CKT 1
2	10G	G07_046	TO->FROM	FPL SWITCH - WOODWARD 138KV CKT 1	133	153	0.03456	108.0076	DEWEY - TALOGA 138KV CKT 1
2	10G	G07_046	TO->FROM	FPL SWITCH - WOODWARD 138KV CKT 1	133	153	0.03441	100.9922	WEATHERFORD JCT. - WEATHERFORD SOUTHEAST 138KV CKT 1
2	10G	G07_046	TO->FROM	FPL SWITCH - WOODWARD 138KV CKT 1	133	153	0.03432	100.617	MIDPT_BUS 7 345.00 - TUCO INTERCHANGE 345KV CKT 1
2	10G	G07_046	TO->FROM	FPL SWITCH - WOODWARD 138KV CKT 1	133	153	0.03432	101.3058	MIDPT_BUS 7 345.00 - WWRDEHV7 345.00 345KV CKT 1
2	10G	G07_046	TO->FROM	FPL SWITCH - WOODWARD 138KV CKT 1	133	153	0.03428	100.1551	HELENAT2 69.000 - SALINE 69KV CKT 1
2	10G	G07_046	TO->FROM	FPL SWITCH - WOODWARD 138KV CKT 1	133	153	0.03397	100.3264	KNOBHILL - SALINE 69KV CKT 1
2	10G	G07_046	TO->FROM	FPL SWITCH - WOODWARD 138KV CKT 1	133	153	0.03397	100.7181	HELENAT2 69.000 - SALINE 69KV CKT 1
2	10G	G07_046	TO->FROM	FPL SWITCH - WOODWARD 138KV CKT 1	133	153	0.03396	111.6982	WOODRING (WOODRNG2) 345/138/13.8KV TRANSFORMER CKT 1
5	10G	G07_046	FROM->TO	HARPER - MILAN TAP 138KV CKT 1	95.6	95.6	0.03375	111.8206	PP-005
2	10G	G07_046	FROM->TO	HARPER - MILAN TAP 138KV CKT 1	95.6	95.6	0.03372	133.1428	PP-005
2	10G	G07_046	TO->FROM	CLEARWATER - MILAN TAP 138KV CKT 1	110	110	0.03372	106.8548	PP-005
3	10G	G07_046	FROM->TO	HARPER - MILAN TAP 138KV CKT 1	95.6	95.6	0.0337	145.745	PP-005
3	10G	G07_046	FROM->TO	CLEARWATER - GILL ENERGY CENTER WEST 138KV CKT 1	110	110	0.0337	107.3164	PP-005
3	10G	G07_046	TO->FROM	CLEARWATER - MILAN TAP 138KV CKT 1	110	110	0.0337	117.847	PP-005
1	10G	G07_046	TO->FROM	CLEARWATER - MILAN TAP 138KV CKT 1	110	110	0.0337	107.7224	PP-005
1	10G	G07_046	FROM->TO	HARPER - MILAN TAP 138KV CKT 1	95.6	95.6	0.0337	134.1493	PP-005
5	10G	G07_046	FROM->TO	HARPER - MILAN TAP 138KV CKT 1	95.6	95.6	0.03367	112.455	PP-005
3	10G	G07_046	TO->FROM	FPL SWITCH - WOODWARD 138KV CKT 1	133	153	0.03367	101.4462	WOODRING (WOODRNG2) 345/138/13.8KV TRANSFORMER CKT 1
2	10G	G07_046	TO->FROM	FPL SWITCH - WOODWARD 138KV CKT 1	133	153	0.03365	112.2775	WOODRING (WOODRNG2) 345/138/13.8KV TRANSFORMER CKT 1
2	10G	G07_046	TO->FROM	CLEARWATER - MILAN TAP 138KV CKT 1	110	110	0.03364	107.0316	PP-005
2	10G	G07_046	FROM->TO	HARPER - MILAN TAP 138KV CKT 1	95.6	95.6	0.03364	133.3466	PP-005
2	10G	G07_046	TO->FROM	FPL SWITCH - WOODWARD 138KV CKT 1	133	153	0.03243	100.1539	DOVER SW - HENESSEY 138KV CKT 1
2	10G	G07_046	TO->FROM	FPL SWITCH - WOODWARD 138KV CKT 1	133	153	0.03212	100.7217	DOVER SW - HENESSEY 138KV CKT 1
5	10G	G07_048	FROM->TO	ELK CITY 230KV (ELKCTY-6) 230/138/13.8KV TRANSFORMER CKT 1	287	287	0.13416	111.8999	PP-001
5	10G	G07_048	FROM->TO	ELK CITY 230KV (ELKCTY-6) 230/138/13.8KV TRANSFORMER CKT 1	287	287	0.13416	110.1414	PP-001
2	10G	G07_048	FROM->TO	ELK CITY 230KV (ELKCTY-6) 230/138/13.8KV TRANSFORMER CKT 1	287	287	0.13415	112.4501	PP-001
2	10G	G07_048	FROM->TO	ELK CITY 230KV (ELKCTY-6) 230/138/13.8KV TRANSFORMER CKT 1	287	287	0.13415	110.6381	PP-001
5	10G	G07_048	FROM->TO	ELK CITY 230KV (ELKCTY-6) 230/138/13.8KV TRANSFORMER CKT 1	287	287	0.13139	102.4632	G05-17T 345.00 - POTTER COUNTY INTERCHANGE 345KV CKT 1
5	10G	G07_048	FROM->TO	ELK CITY 230KV (ELKCTY-6) 230/138/13.8KV TRANSFORMER CKT 1	287	287	0.13139	102.5299	POTTER COUNTY INTERCHANGE (WAUK 90343-A) 345/230/13.2KV TRANSFORMER CKT 1
5	10G	G07_048	FROM->TO	ELK CITY 230KV (ELKCTY-6) 230/138/13.8KV TRANSFORMER CKT 1	287	287	0.13139	103.9259	POTTER COUNTY INTERCHANGE (WAUK 90343-A) 345/230/13.2KV TRANSFORMER CKT 1
5	10G	G07_048	FROM->TO	ELK CITY 230KV (ELKCTY-6) 230/138/13.8KV TRANSFORMER CKT 1	287	287	0.13139	105.1352	G05-17T 345.00 - Hitchland Interchange 345KV CKT 1
5	10G	G07_048	FROM->TO	ELK CITY 230KV (ELKCTY-6) 230/138/13.8KV TRANSFORMER CKT 1	287	287	0.13139	106.6511	G05-17T 345.00 - Hitchland Interchange 345KV CKT 1

Appendix H

Group Dispatch Scenario	SEASON	SOURCE	DIRECTION	MONTCOMMONNAME	RATEA	RATEB	TDF	LOADING%	CONTNAME
5	10G	G07_048	FROM->TO	ELK CITY 230KV (ELKCTY-6) 230/138/13.8KV TRANSFORMER CKT 1	287	287	0.13139	103.8569	G05-17T 345.00 - POTTER COUNTY INTERCHANGE 345KV CKT 1
5	10G	G07_048	FROM->TO	ELK CITY 230KV (ELKCTY-6) 230/138/13.8KV TRANSFORMER CKT 1	287	287	0.13125	110.8034	PP-001
5	10G	G07_048	FROM->TO	ELK CITY 230KV (ELKCTY-6) 230/138/13.8KV TRANSFORMER CKT 1	287	287	0.13125	109.0949	PP-001
2	10G	G07_048	FROM->TO	ELK CITY 230KV (ELKCTY-6) 230/138/13.8KV TRANSFORMER CKT 1	287	287	0.13123	110.9247	PP-001
2	10G	G07_048	FROM->TO	ELK CITY 230KV (ELKCTY-6) 230/138/13.8KV TRANSFORMER CKT 1	287	287	0.13123	112.7523	PP-001
5	10G	G07_048	FROM->TO	ELK CITY 230KV (ELKCTY-6) 230/138/13.8KV TRANSFORMER CKT 1	287	287	0.1282	101.4979	G05-15T 345.00 - TUCO INTERCHANGE 345KV CKT 1
5	10G	G07_048	FROM->TO	ELK CITY 230KV (ELKCTY-6) 230/138/13.8KV TRANSFORMER CKT 1	287	287	0.1282	105.262	G05-15T 345.00 - OKLAUNION 345KV CKT 1
5	10G	G07_048	FROM->TO	ELK CITY 230KV (ELKCTY-6) 230/138/13.8KV TRANSFORMER CKT 1	287	287	0.1282	103.8508	G05-15T 345.00 - OKLAUNION 345KV CKT 1
5	10G	G07_048	FROM->TO	ELK CITY 230KV (ELKCTY-6) 230/138/13.8KV TRANSFORMER CKT 1	287	287	0.1282	112.2883	LAWTON EASTSIDE - OKLAUNION 345KV CKT 1
5	10G	G07_048	FROM->TO	ELK CITY 230KV (ELKCTY-6) 230/138/13.8KV TRANSFORMER CKT 1	287	287	0.1282	114.1123	LAWTON EASTSIDE - OKLAUNION 345KV CKT 1
5	10G	G07_048	FROM->TO	ELK CITY 230KV (ELKCTY-6) 230/138/13.8KV TRANSFORMER CKT 1	287	287	0.1282	102.82	G05-15T 345.00 - TUCO INTERCHANGE 345KV CKT 1
2	10G	G07_048	FROM->TO	ELK CITY 230KV (ELKCTY-6) 230/138/13.8KV TRANSFORMER CKT 1	287	287	0.12819	101.5926	LAWTON EASTSIDE - OKLAUNION 345KV CKT 1
2	10G	G07_048	FROM->TO	ELK CITY 230KV (ELKCTY-6) 230/138/13.8KV TRANSFORMER CKT 1	287	287	0.12819	100.3767	LAWTON EASTSIDE - OKLAUNION 345KV CKT 1
5	10G	G07_048	FROM->TO	ELK CITY 230KV (ELKCTY-6) 230/138/13.8KV TRANSFORMER CKT 1	287	287	0.12127	100.5529	G05-15T 345.00 - OKLAUNION 345KV CKT 1
5	10G	G07_048	FROM->TO	ELK CITY 230KV (ELKCTY-6) 230/138/13.8KV TRANSFORMER CKT 1	287	287	0.12127	101.8244	G05-15T 345.00 - OKLAUNION 345KV CKT 1
5	10G	G07_048	FROM->TO	ELK CITY 230KV (ELKCTY-6) 230/138/13.8KV TRANSFORMER CKT 1	287	287	0.12127	108.6027	LAWTON EASTSIDE - OKLAUNION 345KV CKT 1
5	10G	G07_048	FROM->TO	ELK CITY 230KV (ELKCTY-6) 230/138/13.8KV TRANSFORMER CKT 1	287	287	0.12127	110.2283	LAWTON EASTSIDE - OKLAUNION 345KV CKT 1
5	10G	G07_048	TO->FROM	FPL SWITCH - WOODWARD 138KV CKT 1	133	153	0.04513	107.8422	PP-002
2	10G	G07_048	TO->FROM	FPL SWITCH - WOODWARD 138KV CKT 1	133	153	0.0451	132.2336	PP-002
5	10G	G07_048	TO->FROM	FPL SWITCH - WOODWARD 138KV CKT 1	133	153	0.04318	106.1716	PP-002
2	10G	G07_048	TO->FROM	FPL SWITCH - WOODWARD 138KV CKT 1	133	153	0.04316	131.6566	PP-002
5	10G	G07_048	TO->FROM	FPL SWITCH - WOODWARD 138KV CKT 1	133	153	0.04094	102.9974	SPP-SWPS-03B
2	10G	G07_048	TO->FROM	FPL SWITCH - WOODWARD 138KV CKT 1	133	153	0.04093	121.8661	SPP-SWPS-03B
3	10G	G07_048	TO->FROM	FPL SWITCH - WOODWARD 138KV CKT 1	133	153	0.04068	109.9407	ELK CITY 230KV (ELKCTY-6) 230/138/13.8KV TRANSFORMER CKT 1
3	10G	G07_048	TO->FROM	FPL SWITCH - WOODWARD 138KV CKT 1	133	153	0.04068	109.9459	BECKHAM CO 230.00 - ELK CITY 230KV 230KV CKT 1
5	10G	G07_048	TO->FROM	FPL SWITCH - WOODWARD 138KV CKT 1	133	153	0.04064	102.4097	BECKHAM CO 230.00 - STATELINE INTERCHANGE 230KV CKT 1
5	10G	G07_048	TO->FROM	FPL SWITCH - WOODWARD 138KV CKT 1	133	153	0.04064	102.4427	GRAPEVINE INTERCHANGE - STATELINE INTERCHANGE 230KV CKT 1
5	10G	G07_048	TO->FROM	FPL SWITCH - WOODWARD 138KV CKT 1	133	153	0.04064	113.4847	BECKHAM CO 230.00 - ELK CITY 230KV 230KV CKT 1
5	10G	G07_048	TO->FROM	FPL SWITCH - WOODWARD 138KV CKT 1	133	153	0.04064	113.4768	ELK CITY 230KV (ELKCTY-6) 230/138/13.8KV TRANSFORMER CKT 1
2	10G	G07_048	TO->FROM	FPL SWITCH - WOODWARD 138KV CKT 1	133	153	0.04062	120.9478	BECKHAM CO 230.00 - STATELINE INTERCHANGE 230KV CKT 1
2	10G	G07_048	TO->FROM	FPL SWITCH - WOODWARD 138KV CKT 1	133	153	0.04062	131.8642	BECKHAM CO 230.00 - ELK CITY 230KV 230KV CKT 1
2	10G	G07_048	TO->FROM	FPL SWITCH - WOODWARD 138KV CKT 1	133	153	0.04062	131.8555	ELK CITY 230KV (ELKCTY-6) 230/138/13.8KV TRANSFORMER CKT 1
2	10G	G07_048	TO->FROM	FPL SWITCH - WOODWARD 138KV CKT 1	133	153	0.04062	120.9754	GRAPEVINE INTERCHANGE - STATELINE INTERCHANGE 230KV CKT 1
5	10G	G07_048	TO->FROM	DEAF SMITH COUNTY INTERCHANGE - G06-39T 230.00 230KV CKT	319	351	0.04038	102.5639	GEN525561 1-TOLK GEN #1 24 KV
5	10G	G07_048	TO->FROM	DEAF SMITH COUNTY INTERCHANGE - G06-39T 230.00 230KV CKT	319	351	0.04038	104.7025	GEN525562 1-TOLK GEN #2 24 KV
5	10G	G07_048	TO->FROM	FPL SWITCH - WOODWARD 138KV CKT 1	133	153	0.04001	102.2629	SPP-SWPS-03B
2	10G	G07_048	TO->FROM	FPL SWITCH - WOODWARD 138KV CKT 1	133	153	0.04	121.5565	SPP-SWPS-03B
5	10G	G07_048	TO->FROM	FPL SWITCH - WOODWARD 138KV CKT 1	133	153	0.0397	101.6593	GRAPEVINE INTERCHANGE - STATELINE INTERCHANGE 230KV CKT 1
5	10G	G07_048	TO->FROM	FPL SWITCH - WOODWARD 138KV CKT 1	133	153	0.0397	112.6557	ELK CITY 230KV (ELKCTY-6) 230/138/13.8KV TRANSFORMER CKT 1
5	10G	G07_048	TO->FROM	FPL SWITCH - WOODWARD 138KV CKT 1	133	153	0.0397	101.6188	BECKHAM CO 230.00 - STATELINE INTERCHANGE 230KV CKT 1
5	10G	G07_048	TO->FROM	FPL SWITCH - WOODWARD 138KV CKT 1	133	153	0.0397	112.6639	BECKHAM CO 230.00 - ELK CITY 230KV 230KV CKT 1
2	10G	G07_048	TO->FROM	FPL SWITCH - WOODWARD 138KV CKT 1	133	153	0.03969	120.6768	BECKHAM CO 230.00 - STATELINE INTERCHANGE 230KV CKT 1
2	10G	G07_048	TO->FROM	FPL SWITCH - WOODWARD 138KV CKT 1	133	153	0.03969	131.4615	ELK CITY 230KV (ELKCTY-6) 230/138/13.8KV TRANSFORMER CKT 1
2	10G	G07_048	TO->FROM	FPL SWITCH - WOODWARD 138KV CKT 1	133	153	0.03969	120.7068	GRAPEVINE INTERCHANGE - STATELINE INTERCHANGE 230KV CKT 1
2	10G	G07_048	TO->FROM	FPL SWITCH - WOODWARD 138KV CKT 1	133	153	0.03969	131.4643	BECKHAM CO 230.00 - ELK CITY 230KV 230KV CKT 1
6	10G	G07_048	TO->FROM	FPL SWITCH - WOODWARD 138KV CKT 1	133	153	0.03868	112.5493	NORTHWEST - TATONGA EHV 345.00 345KV CKT 1
4	10G	G07_048	TO->FROM	FPL SWITCH - WOODWARD 138KV CKT 1	133	153	0.0386	110.2918	NORTHWEST - TATONGA EHV 345.00 345KV CKT 1
3	10G	G07_048	TO->FROM	FPL SWITCH - WOODWARD 138KV CKT 1	133	153	0.03858	131.1963	NORTHWEST - TATONGA EHV 345.00 345KV CKT 1

Group Dispatch Scenario	SEASON	SOURCE	DIRECTION	MONTCOMMONNAME	RATEA	RATEB	TDF	LOADING%	CONTNAME
3	10G	G07_048	TO->FROM	FPL SWITCH - WOODWARD 138KV CKT 1	133	153	0.03858	118.1452	TATONGA EHV 345.00 - WWRDEHV7 345.00 345KV CKT 1
5	10G	G07_048	TO->FROM	FPL SWITCH - WOODWARD 138KV CKT 1	133	153	0.03856	109.3327	TATONGA EHV 345.00 - WWRDEHV7 345.00 345KV CKT 1
5	10G	G07_048	TO->FROM	FPL SWITCH - WOODWARD 138KV CKT 1	133	153	0.03856	122.3248	NORTHWEST - TATONGA EHV 345.00 345KV CKT 1
2	10G	G07_048	TO->FROM	FPL SWITCH - WOODWARD 138KV CKT 1	133	153	0.03854	151.4358	NORTHWEST - TATONGA EHV 345.00 345KV CKT 1
2	10G	G07_048	TO->FROM	FPL SWITCH - WOODWARD 138KV CKT 1	133	153	0.03854	138.5764	TATONGA EHV 345.00 - WWRDEHV7 345.00 345KV CKT 1
5	10G	G07_048	TO->FROM	DEAF SMITH COUNTY INTERCHANGE - G06-39T 230.00 230KV CKT	319	351	0.03802	101.7073	GEN525561 1-TOLK GEN #1 24 KV
5	10G	G07_048	TO->FROM	DEAF SMITH COUNTY INTERCHANGE - G06-39T 230.00 230KV CKT	319	351	0.03802	104.1986	GEN525562 1-TOLK GEN #2 24 KV
6	10G	G07_048	TO->FROM	FPL SWITCH - WOODWARD 138KV CKT 1	133	153	0.03753	100.7719	PP-004
3	10G	G07_048	TO->FROM	FPL SWITCH - WOODWARD 138KV CKT 1	133	153	0.03742	117.4055	PP-004
5	10G	G07_048	TO->FROM	FPL SWITCH - WOODWARD 138KV CKT 1	133	153	0.0374	110.271	PP-004
2	10G	G07_048	TO->FROM	FPL SWITCH - WOODWARD 138KV CKT 1	133	153	0.03737	139.0566	PP-004
5	10G	G07_048	TO->FROM	FPL SWITCH - WOODWARD 138KV CKT 1	133	153	0.03633	120.5301	NORTHWEST - TATONGA EHV 345.00 345KV CKT 1
5	10G	G07_048	TO->FROM	FPL SWITCH - WOODWARD 138KV CKT 1	133	153	0.03633	107.484	TATONGA EHV 345.00 - WWRDEHV7 345.00 345KV CKT 1
2	10G	G07_048	TO->FROM	FPL SWITCH - WOODWARD 138KV CKT 1	133	153	0.03632	150.9249	NORTHWEST - TATONGA EHV 345.00 345KV CKT 1
2	10G	G07_048	TO->FROM	FPL SWITCH - WOODWARD 138KV CKT 1	133	153	0.03632	138.0116	TATONGA EHV 345.00 - WWRDEHV7 345.00 345KV CKT 1
5	10G	G07_048	TO->FROM	FPL SWITCH - WOODWARD 138KV CKT 1	133	153	0.03534	108.529	PP-004
2	10G	G07_048	TO->FROM	FPL SWITCH - WOODWARD 138KV CKT 1	133	153	0.03531	138.522	PP-004
3	10G	G07_048	TO->FROM	FPL SWITCH - WOODWARD 138KV CKT 1	133	153	0.03515	118.0589	PP-005
5	10G	G07_048	TO->FROM	FPL SWITCH - WOODWARD 138KV CKT 1	133	153	0.03512	104.5751	PP-005
2	10G	G07_048	TO->FROM	FPL SWITCH - WOODWARD 138KV CKT 1	133	153	0.0351	132.677	PP-005
6	10G	G07_048	TO->FROM	FPL SWITCH - WOODWARD 138KV CKT 1	133	153	0.0337	103.6113	LAWTON EASTSIDE - OKLAUNION 345KV CKT 1
3	10G	G07_048	TO->FROM	FPL SWITCH - WOODWARD 138KV CKT 1	133	153	0.03361	109.0416	LAWTON EASTSIDE - OKLAUNION 345KV CKT 1
5	10G	G07_048	TO->FROM	FPL SWITCH - WOODWARD 138KV CKT 1	133	153	0.03358	106.9611	LAWTON EASTSIDE - OKLAUNION 345KV CKT 1
2	10G	G07_048	TO->FROM	FPL SWITCH - WOODWARD 138KV CKT 1	133	153	0.03356	116.7903	G05-15T 345.00 - OKLAUNION 345KV CKT 1
2	10G	G07_048	TO->FROM	FPL SWITCH - WOODWARD 138KV CKT 1	133	153	0.03356	126.9661	LAWTON EASTSIDE - OKLAUNION 345KV CKT 1
2	10G	G07_048	TO->FROM	FPL SWITCH - WOODWARD 138KV CKT 1	133	153	0.03356	113.8468	G05-15T 345.00 - TUCO INTERCHANGE 345KV CKT 1
5	10G	G07_048	TO->FROM	FPL SWITCH - WOODWARD 138KV CKT 1	133	153	0.03309	102.8339	PP-005
2	10G	G07_048	TO->FROM	FPL SWITCH - WOODWARD 138KV CKT 1	133	153	0.03306	132.1268	PP-005
5	10G	G07_048	TO->FROM	FPL SWITCH - WOODWARD 138KV CKT 1	133	153	0.03185	105.3803	LAWTON EASTSIDE - OKLAUNION 345KV CKT 1
2	10G	G07_048	TO->FROM	FPL SWITCH - WOODWARD 138KV CKT 1	133	153	0.03184	113.2595	G05-15T 345.00 - TUCO INTERCHANGE 345KV CKT 1
2	10G	G07_048	TO->FROM	FPL SWITCH - WOODWARD 138KV CKT 1	133	153	0.03184	116.1673	G05-15T 345.00 - OKLAUNION 345KV CKT 1
2	10G	G07_048	TO->FROM	FPL SWITCH - WOODWARD 138KV CKT 1	133	153	0.03184	126.1891	LAWTON EASTSIDE - OKLAUNION 345KV CKT 1
2	10G	G07_048	TO->FROM	FPL SWITCH - WOODWARD 138KV CKT 1	133	153	0.03173	116.2812	GRAPEVINE INTERCHANGE - NICHOLS STATION 230KV CKT 1
2	10G	G07_048	TO->FROM	FPL SWITCH - WOODWARD 138KV CKT 1	133	153	0.03028	115.7736	GRAPEVINE INTERCHANGE - NICHOLS STATION 230KV CKT 1
3	10G	G07_048	FROM->TO	CLEARWATER - GILL ENERGY CENTER WEST 138KV CKT 1	110	110	0.02926	107.3164	PP-005
3	10G	G07_048	TO->FROM	CLEARWATER - MILAN TAP 138KV CKT 1	110	110	0.02926	117.847	PP-005
3	10G	G07_048	FROM->TO	HARPER - MILAN TAP 138KV CKT 1	95.6	95.6	0.02926	145.745	PP-005
1	10G	G07_048	FROM->TO	HARPER - MILAN TAP 138KV CKT 1	95.6	95.6	0.02926	134.1493	PP-005
1	10G	G07_048	TO->FROM	CLEARWATER - MILAN TAP 138KV CKT 1	110	110	0.02926	107.7224	PP-005
5	10G	G07_048	FROM->TO	HARPER - MILAN TAP 138KV CKT 1	95.6	95.6	0.02923	112.455	PP-005
2	10G	G07_048	FROM->TO	HARPER - MILAN TAP 138KV CKT 1	95.6	95.6	0.0292	133.3466	PP-005
2	10G	G07_048	TO->FROM	CLEARWATER - MILAN TAP 138KV CKT 1	110	110	0.0292	107.0316	PP-005
5	10G	G07_050	TO->FROM	FPL SWITCH - WOODWARD 138KV CKT 1	133	153	0.16249	106.1716	PP-002
2	10G	G07_050	TO->FROM	FPL SWITCH - WOODWARD 138KV CKT 1	133	153	0.16248	131.6566	PP-002
5	10G	G07_050	TO->FROM	FPL SWITCH - WOODWARD 138KV CKT 1	133	153	0.16204	107.8422	PP-002
2	10G	G07_050	TO->FROM	FPL SWITCH - WOODWARD 138KV CKT 1	133	153	0.16202	132.2336	PP-002
5	10G	G07_050	TO->FROM	FPL SWITCH - WOODWARD 138KV CKT 1	133	153	0.14945	107.484	TATONGA EHV 345.00 - WWRDEHV7 345.00 345KV CKT 1
5	10G	G07_050	TO->FROM	FPL SWITCH - WOODWARD 138KV CKT 1	133	153	0.14945	120.5301	NORTHWEST - TATONGA EHV 345.00 345KV CKT 1
2	10G	G07_050	TO->FROM	FPL SWITCH - WOODWARD 138KV CKT 1	133	153	0.14944	138.0116	TATONGA EHV 345.00 - WWRDEHV7 345.00 345KV CKT 1
2	10G	G07_050	TO->FROM	FPL SWITCH - WOODWARD 138KV CKT 1	133	153	0.14944	150.9249	NORTHWEST - TATONGA EHV 345.00 345KV CKT 1
6	10G	G07_050	TO->FROM	FPL SWITCH - WOODWARD 138KV CKT 1	133	153	0.14896	112.5493	NORTHWEST - TATONGA EHV 345.00 345KV CKT 1
4	10G	G07_050	TO->FROM	FPL SWITCH - WOODWARD 138KV CKT 1	133	153	0.14888	110.2918	NORTHWEST - TATONGA EHV 345.00 345KV CKT 1
3	10G	G07_050	TO->FROM	FPL SWITCH - WOODWARD 138KV CKT 1	133	153	0.14886	131.1963	NORTHWEST - TATONGA EHV 345.00 345KV CKT 1
3	10G	G07_050	TO->FROM	FPL SWITCH - WOODWARD 138KV CKT 1	133	153	0.14886	118.1452	TATONGA EHV 345.00 - WWRDEHV7 345.00 345KV CKT 1
5	10G	G07_050	TO->FROM	FPL SWITCH - WOODWARD 138KV CKT 1	133	153	0.14884	109.3327	TATONGA EHV 345.00 - WWRDEHV7 345.00 345KV CKT 1
5	10G	G07_050	TO->FROM	FPL SWITCH - WOODWARD 138KV CKT 1	133	153	0.14884	122.3248	NORTHWEST - TATONGA EHV 345.00 345KV CKT 1
2	10G	G07_050	TO->FROM	FPL SWITCH - WOODWARD 138KV CKT 1	133	153	0.14882	151.4358	NORTHWEST - TATONGA EHV 345.00 345KV CKT 1
2	10G	G07_050	TO->FROM	FPL SWITCH - WOODWARD 138KV CKT 1	133	153	0.14882	138.5764	TATONGA EHV 345.00 - WWRDEHV7 345.00 345KV CKT 1
2	10G	G07_050	TO->FROM	FPL SWITCH - WOODWARD 138KV CKT 1	133	153	0.14489	121.8739	DEWEY - IODINE 138KV CKT 1
2	10G	G07_050	TO->FROM	FPL SWITCH - WOODWARD 138KV CKT 1	133	153	0.14489	123.0314	IODINE - WWRDEHV4 138.00 138KV CKT 1

Group Dispatch Scenario	SEASON	SOURCE	DIRECTION	MONTCOMMONNAME	RATEA	RATEB	TDF	LOADING%	CONTNAME
3	10G	G07_050	TO->FROM	FPL SWITCH - WOODWARD 138KV CKT 1	133	153	0.14442	107.3417	DEWEY - IODINE 138KV CKT 1
3	10G	G07_050	TO->FROM	FPL SWITCH - WOODWARD 138KV CKT 1	133	153	0.14442	108.502	IODINE - WWRDEHV4 138.00 138KV CKT 1
2	10G	G07_050	TO->FROM	FPL SWITCH - WOODWARD 138KV CKT 1	133	153	0.1444	122.5298	DEWEY - IODINE 138KV CKT 1
2	10G	G07_050	TO->FROM	FPL SWITCH - WOODWARD 138KV CKT 1	133	153	0.1444	123.6773	IODINE - WWRDEHV4 138.00 138KV CKT 1
5	10G	G07_050	TO->FROM	FPL SWITCH - WOODWARD 138KV CKT 1	133	153	0.14326	108.529	PP-004
2	10G	G07_050	TO->FROM	FPL SWITCH - WOODWARD 138KV CKT 1	133	153	0.14323	138.522	PP-004
6	10G	G07_050	TO->FROM	FPL SWITCH - WOODWARD 138KV CKT 1	133	153	0.14285	100.7719	PP-004
3	10G	G07_050	TO->FROM	FPL SWITCH - WOODWARD 138KV CKT 1	133	153	0.14275	117.4055	PP-004
5	10G	G07_050	TO->FROM	FPL SWITCH - WOODWARD 138KV CKT 1	133	153	0.14272	110.271	PP-004
2	10G	G07_050	TO->FROM	FPL SWITCH - WOODWARD 138KV CKT 1	133	153	0.14269	139.0566	PP-004
5	10G	G07_050	TO->FROM	FPL SWITCH - WOODWARD 138KV CKT 1	133	153	0.14015	102.8339	PP-005
2	10G	G07_050	TO->FROM	FPL SWITCH - WOODWARD 138KV CKT 1	133	153	0.14013	132.1268	PP-005
3	10G	G07_050	TO->FROM	FPL SWITCH - WOODWARD 138KV CKT 1	133	153	0.13966	118.0589	PP-005
5	10G	G07_050	TO->FROM	FPL SWITCH - WOODWARD 138KV CKT 1	133	153	0.13963	104.5751	PP-005
2	10G	G07_050	TO->FROM	FPL SWITCH - WOODWARD 138KV CKT 1	133	153	0.13961	132.677	PP-005
5	10G	G07_050	TO->FROM	FPL SWITCH - WOODWARD 138KV CKT 1	133	153	0.13892	103.6646	WOODWARD (WOODWRD2) 138/69/13.2KV TRANSFORMER CKT 1
2	10G	G07_050	TO->FROM	FPL SWITCH - WOODWARD 138KV CKT 1	133	153	0.13891	129.6591	WOODWARD (WOODWRD2) 138/69/13.2KV TRANSFORMER CKT 1
2	10G	G07_050	TO->FROM	FPL SWITCH - WOODWARD 138KV CKT 1	133	153	0.13891	116.5829	WOODWARD - WOODWARD 69KV CKT 1
6	10G	G07_050	TO->FROM	FPL SWITCH - WOODWARD 138KV CKT 1	133	153	0.13852	100.1109	WOODWARD (WOODWRD2) 138/69/13.2KV TRANSFORMER CKT 1
5	10G	G07_050	TO->FROM	FPL SWITCH - WOODWARD 138KV CKT 1	133	153	0.13845	105.493	WOODWARD (WOODWRD2) 138/69/13.2KV TRANSFORMER CKT 1
3	10G	G07_050	TO->FROM	FPL SWITCH - WOODWARD 138KV CKT 1	133	153	0.13845	103.0948	WOODWARD - WOODWARD 69KV CKT 1
3	10G	G07_050	TO->FROM	FPL SWITCH - WOODWARD 138KV CKT 1	133	153	0.13845	116.1487	WOODWARD (WOODWRD2) 138/69/13.2KV TRANSFORMER CKT 1
2	10G	G07_050	TO->FROM	FPL SWITCH - WOODWARD 138KV CKT 1	133	153	0.13843	130.3005	WOODWARD (WOODWRD2) 138/69/13.2KV TRANSFORMER CKT 1
2	10G	G07_050	TO->FROM	FPL SWITCH - WOODWARD 138KV CKT 1	133	153	0.13843	117.2225	WOODWARD - WOODWARD 69KV CKT 1
2	10G	G07_050	TO->FROM	FPL SWITCH - WOODWARD 138KV CKT 1	133	153	0.12974	107.8209	COMANCH5 345.00 - WWRDEHV7 345.00 345KV CKT 2
2	10G	G07_050	TO->FROM	FPL SWITCH - WOODWARD 138KV CKT 1	133	153	0.12974	107.8209	COMANCH5 345.00 - WWRDEHV7 345.00 345KV CKT 1
2	10G	G07_050	TO->FROM	FPL SWITCH - WOODWARD 138KV CKT 1	133	153	0.12932	108.3936	COMANCH5 345.00 - WWRDEHV7 345.00 345KV CKT 1
2	10G	G07_050	TO->FROM	FPL SWITCH - WOODWARD 138KV CKT 1	133	153	0.12932	108.3936	COMANCH5 345.00 - WWRDEHV7 345.00 345KV CKT 2
2	10G	G07_050	TO->FROM	FPL SWITCH - WOODWARD 138KV CKT 1	133	153	0.12872	100.4631	MIDPT_BUS 7 345.00 - WWRDEHV7 345.00 345KV CKT 1
2	10G	G07_050	TO->FROM	FPL SWITCH - WOODWARD 138KV CKT 1	133	153	0.12799	100.617	MIDPT_BUS 7 345.00 - TUCO INTERCHANGE 345KV CKT 1
2	10G	G07_050	TO->FROM	FPL SWITCH - WOODWARD 138KV CKT 1	133	153	0.12799	101.3058	MIDPT_BUS 7 345.00 - WWRDEHV7 345.00 345KV CKT 1
2	10G	G07_050	TO->FROM	FPL SWITCH - WOODWARD 138KV CKT 1	133	153	0.12681	109.2019	MED-LDG5 345.00 - WICHITA 345KV CKT 1
2	10G	G07_050	TO->FROM	FPL SWITCH - WOODWARD 138KV CKT 1	133	153	0.12681	109.2019	MED-LDG5 345.00 - WICHITA 345KV CKT 2
2	10G	G07_050	TO->FROM	FPL SWITCH - WOODWARD 138KV CKT 1	133	153	0.12637	109.7732	MED-LDG5 345.00 - WICHITA 345KV CKT 2
2	10G	G07_050	TO->FROM	FPL SWITCH - WOODWARD 138KV CKT 1	133	153	0.12637	109.7732	MED-LDG5 345.00 - WICHITA 345KV CKT 1
2	10G	G07_050	TO->FROM	FPL SWITCH - WOODWARD 138KV CKT 1	133	153	0.12604	105.1758	FARGO JCT - WOODWARD 69KV CKT 1
2	10G	G07_050	TO->FROM	FPL SWITCH - WOODWARD 138KV CKT 1	133	153	0.12581	107.8172	COMANCH5 345.00 - MED-LDG5 345.00 345KV CKT 1
2	10G	G07_050	TO->FROM	FPL SWITCH - WOODWARD 138KV CKT 1	133	153	0.12581	107.8172	COMANCH5 345.00 - MED-LDG5 345.00 345KV CKT 2
2	10G	G07_050	TO->FROM	FPL SWITCH - WOODWARD 138KV CKT 1	133	153	0.12561	105.7545	FARGO JCT - WOODWARD 69KV CKT 1
2	10G	G07_050	TO->FROM	FPL SWITCH - WOODWARD 138KV CKT 1	133	153	0.12537	108.388	COMANCH5 345.00 - MED-LDG5 345.00 345KV CKT 2
2	10G	G07_050	TO->FROM	FPL SWITCH - WOODWARD 138KV CKT 1	133	153	0.12537	108.388	COMANCH5 345.00 - MED-LDG5 345.00 345KV CKT 1
2	10G	G07_050	TO->FROM	FPL SWITCH - WOODWARD 138KV CKT 1	133	153	0.12487	107.0002	KNOLL345 345.00 - SPEARVILLE 345KV CKT 1
5	10G	G07_050	TO->FROM	FPL SWITCH - WOODWARD 138KV CKT 1	133	153	0.12477	105.3803	LAWTON EASTSIDE - OKLAUNION 345KV CKT 1
2	10G	G07_050	TO->FROM	FPL SWITCH - WOODWARD 138KV CKT 1	133	153	0.12476	113.2595	G05-15T 345.00 - TUCO INTERCHANGE 345KV CKT 1
2	10G	G07_050	TO->FROM	FPL SWITCH - WOODWARD 138KV CKT 1	133	153	0.12476	116.1673	G05-15T 345.00 - OKLAUNION 345KV CKT 1
2	10G	G07_050	TO->FROM	FPL SWITCH - WOODWARD 138KV CKT 1	133	153	0.12476	126.1891	LAWTON EASTSIDE - OKLAUNION 345KV CKT 1
6	10G	G07_050	TO->FROM	FPL SWITCH - WOODWARD 138KV CKT 1	133	153	0.12458	103.6113	LAWTON EASTSIDE - OKLAUNION 345KV CKT 1
2	10G	G07_050	TO->FROM	FPL SWITCH - WOODWARD 138KV CKT 1	133	153	0.12451	104.6931	MINGO - RED WILLOW 345KV CKT 1
3	10G	G07_050	TO->FROM	FPL SWITCH - WOODWARD 138KV CKT 1	133	153	0.1245	109.0416	LAWTON EASTSIDE - OKLAUNION 345KV CKT 1
5	10G	G07_050	TO->FROM	FPL SWITCH - WOODWARD 138KV CKT 1	133	153	0.12446	106.9611	LAWTON EASTSIDE - OKLAUNION 345KV CKT 1
2	10G	G07_050	TO->FROM	FPL SWITCH - WOODWARD 138KV CKT 1	133	153	0.12445	126.9661	LAWTON EASTSIDE - OKLAUNION 345KV CKT 1
2	10G	G07_050	TO->FROM	FPL SWITCH - WOODWARD 138KV CKT 1	133	153	0.12445	116.7903	G05-15T 345.00 - OKLAUNION 345KV CKT 1
2	10G	G07_050	TO->FROM	FPL SWITCH - WOODWARD 138KV CKT 1	133	153	0.12445	113.8468	G05-15T 345.00 - TUCO INTERCHANGE 345KV CKT 1
2	10G	G07_050	TO->FROM	FPL SWITCH - WOODWARD 138KV CKT 1	133	153	0.12444	107.563	KNOLL345 345.00 - SPEARVILLE 345KV CKT 1
2	10G	G07_050	TO->FROM	FPL SWITCH - WOODWARD 138KV CKT 1	133	153	0.12438	107.3907	DEWEY - TALOGA 138KV CKT 1
2	10G	G07_050	TO->FROM	FPL SWITCH - WOODWARD 138KV CKT 1	133	153	0.12426	105.7432	MINGO - SETAB 345KV CKT 1

Group Dispatch Scenario	SEASON	SOURCE	DIRECTION	MONTCOMMONNAME	RATEA	RATEB	TDF	LOADING%	CONTNAME
2	10G	G07_050	TO->FROM	FPL SWITCH - WOODWARD 138KV CKT 1	133	153	0.12406	105.2578	MINGO - RED WILLOW 345KV CKT 1
2	10G	G07_050	TO->FROM	FPL SWITCH - WOODWARD 138KV CKT 1	133	153	0.12401	105.2674	CIMARRON - NORTHWEST 345KV CKT 1
2	10G	G07_050	TO->FROM	FPL SWITCH - WOODWARD 138KV CKT 1	133	153	0.12394	109.0362	FINNEY SWITCHING STATION - STEVENS CO 345.00 345KV CKT 1
2	10G	G07_050	TO->FROM	FPL SWITCH - WOODWARD 138KV CKT 1	133	153	0.12393	108.0076	DEWEY - TALOGA 138KV CKT 1
2	10G	G07_050	TO->FROM	FPL SWITCH - WOODWARD 138KV CKT 1	133	153	0.1239	105.1984	AXTELL - KNOLL345 345.00 345KV CKT 1
2	10G	G07_050	TO->FROM	FPL SWITCH - WOODWARD 138KV CKT 1	133	153	0.12382	106.2933	MINGO - SETAB 345KV CKT 1
2	10G	G07_050	TO->FROM	FPL SWITCH - WOODWARD 138KV CKT 1	133	153	0.12362	106.7537	G07-25T 345.00 - G08-13T 345.00 345KV CKT 1
2	10G	G07_050	TO->FROM	FPL SWITCH - WOODWARD 138KV CKT 1	133	153	0.12362	105.0563	G07-25T 345.00 - WICHITA 345KV CKT 1
2	10G	G07_050	TO->FROM	FPL SWITCH - WOODWARD 138KV CKT 1	133	153	0.12362	108.753	G08-13T 345.00 - WOODRING 345KV CKT 1
2	10G	G07_050	TO->FROM	FPL SWITCH - WOODWARD 138KV CKT 1	133	153	0.12357	105.8461	CIMARRON - NORTHWEST 345KV CKT 1
2	10G	G07_050	TO->FROM	FPL SWITCH - WOODWARD 138KV CKT 1	133	153	0.12345	109.3439	FINNEY SWITCHING STATION - STEVENS CO 345.00 345KV CKT 1
2	10G	G07_050	TO->FROM	FPL SWITCH - WOODWARD 138KV CKT 1	133	153	0.12324	104.9633	GRAND ISLAND - SWEETWATER 345KV CKT 1
2	10G	G07_050	TO->FROM	FPL SWITCH - WOODWARD 138KV CKT 1	133	153	0.12318	107.3404	G07-25T 345.00 - G08-13T 345.00 345KV CKT 1
2	10G	G07_050	TO->FROM	FPL SWITCH - WOODWARD 138KV CKT 1	133	153	0.12318	109.3337	G08-13T 345.00 - WOODRING 345KV CKT 1
2	10G	G07_050	TO->FROM	FPL SWITCH - WOODWARD 138KV CKT 1	133	153	0.12318	105.6361	G07-25T 345.00 - WICHITA 345KV CKT 1
2	10G	G07_050	TO->FROM	FPL SWITCH - WOODWARD 138KV CKT 1	133	153	0.12311	104.7297	WRTOD400
2	10G	G07_050	TO->FROM	FPL SWITCH - WOODWARD 138KV CKT 1	133	153	0.12299	100.577	GEN527161 1-MUSTANG GEN #1
2	10G	G07_050	TO->FROM	FPL SWITCH - WOODWARD 138KV CKT 1	133	153	0.12299	100.577	GEN527162 1-MUSTANG GEN #2
2	10G	G07_050	TO->FROM	FPL SWITCH - WOODWARD 138KV CKT 1	133	153	0.12299	105.2446	GEN511840 1-NORTHEASTERN STATION #3
2	10G	G07_050	TO->FROM	FPL SWITCH - WOODWARD 138KV CKT 1	133	153	0.12299	105.2362	GEN509394 1-FLINT CREEK
2	10G	G07_050	TO->FROM	FPL SWITCH - WOODWARD 138KV CKT 1	133	153	0.12299	107.6471	GEN514806 1-SOONER UNIT 2
2	10G	G07_050	TO->FROM	FPL SWITCH - WOODWARD 138KV CKT 1	133	153	0.12299	106.1806	GEN515226 1-MUSKOGEE 6G
2	10G	G07_050	TO->FROM	FPL SWITCH - WOODWARD 138KV CKT 1	133	153	0.12299	105.6351	GEN511842 1-RIVERSIDE STATION #1
2	10G	G07_050	TO->FROM	FPL SWITCH - WOODWARD 138KV CKT 1	133	153	0.12299	105.4311	GEN337652 1-WHITE BLUFF UNIT #1
2	10G	G07_050	TO->FROM	FPL SWITCH - WOODWARD 138KV CKT 1	133	153	0.12299	105.9899	GEN520947 1-HUGO1
2	10G	G07_050	TO->FROM	FPL SWITCH - WOODWARD 138KV CKT 1	133	153	0.12299	106.1532	GEN515223 1-MUSKOGEE 4G
2	10G	G07_050	TO->FROM	FPL SWITCH - WOODWARD 138KV CKT 1	133	153	0.12299	100.574	GEN527165 1-Mustang Gen #5
2	10G	G07_050	TO->FROM	FPL SWITCH - WOODWARD 138KV CKT 1	133	153	0.12299	105.1071	GEN501813 1-RODEMACHER UNIT 3
2	10G	G07_050	TO->FROM	FPL SWITCH - WOODWARD 138KV CKT 1	133	153	0.12299	104.7593	GEN337041 1-GERALD ANDRUS
2	10G	G07_050	TO->FROM	FPL SWITCH - WOODWARD 138KV CKT 1	133	153	0.12299	105.6898	GEN511843 1-RIVERSIDE STATION #2
2	10G	G07_050	TO->FROM	FPL SWITCH - WOODWARD 138KV CKT 1	133	153	0.12299	105.1355	GEN512689 1-GRDA1 GSU1 22
2	10G	G07_050	TO->FROM	FPL SWITCH - WOODWARD 138KV CKT 1	133	153	0.12299	104.7885	GEN501812 1-RODEMACHER UNIT 2
2	10G	G07_050	TO->FROM	FPL SWITCH - WOODWARD 138KV CKT 1	133	153	0.12299	106.196	GEN515225 1-MUSKOGEE 5G
2	10G	G07_050	TO->FROM	FPL SWITCH - WOODWARD 138KV CKT 1	133	153	0.12299	105.2174	GEN511841 1-NORTHEASTERN STATION #4
2	10G	G07_050	TO->FROM	FPL SWITCH - WOODWARD 138KV CKT 1	133	153	0.12299	106.2806	GEN337910 1-ARKANSAS NUCLEAR ONE UNIT #1
2	10G	G07_050	TO->FROM	FPL SWITCH - WOODWARD 138KV CKT 1	133	153	0.12299	106.3417	GEN501801 1-DOLET HILLS UNIT1
2	10G	G07_050	TO->FROM	FPL SWITCH - WOODWARD 138KV CKT 1	133	153	0.12299	110.2485	GEN514805 1-SOONER UNIT 1
2	10G	G07_050	TO->FROM	FPL SWITCH - WOODWARD 138KV CKT 1	133	153	0.12299	100.5504	GEN527901 1-HOBBS PLANT #1 (CT)
2	10G	G07_050	TO->FROM	FPL SWITCH - WOODWARD 138KV CKT 1	133	153	0.12299	105.6637	GEN509404 1-WELSH #1
2	10G	G07_050	TO->FROM	FPL SWITCH - WOODWARD 138KV CKT 1	133	153	0.12299	106.9881	GEN337911 1-ARKANSAS NUCLEAR ONE UNIT #2
2	10G	G07_050	TO->FROM	FPL SWITCH - WOODWARD 138KV CKT 1	133	153	0.12299	104.6407	GEN521116 1-RHWIND4 138.00
2	10G	G07_050	TO->FROM	FPL SWITCH - WOODWARD 138KV CKT 1	133	153	0.12299	105.6383	GEN512688 2-GRDA1 GSU2 22
2	10G	G07_050	TO->FROM	FPL SWITCH - WOODWARD 138KV CKT 1	133	153	0.12299	104.9108	GEN338146 1-INDEPENDENCE UNIT #2
2	10G	G07_050	TO->FROM	FPL SWITCH - WOODWARD 138KV CKT 1	133	153	0.12299	105.4389	GEN337653 1-WHITE BLUFF UNIT #2
2	10G	G07_050	TO->FROM	FPL SWITCH - WOODWARD 138KV CKT 1	133	153	0.12299	105.6638	GEN509405 1-WELSH #2
2	10G	G07_050	TO->FROM	FPL SWITCH - WOODWARD 138KV CKT 1	133	153	0.12299	100.5504	GEN527902 1-HOBBS PLANT #2 (CT)
2	10G	G07_050	TO->FROM	FPL SWITCH - WOODWARD 138KV CKT 1	133	153	0.12299	106.1491	GEN335831 1-RIVERBEND UNIT#1
2	10G	G07_050	TO->FROM	FPL SWITCH - WOODWARD 138KV CKT 1	133	153	0.12299	105.664	GEN509406 1-WELSH #3
2	10G	G07_050	TO->FROM	FPL SWITCH - WOODWARD 138KV CKT 1	133	153	0.12299	106.2864	GEN509403 1-PIRKEY GENERATION
2	10G	G07_050	TO->FROM	FPL SWITCH - WOODWARD 138KV CKT 1	133	153	0.12299	100.4418	GEN527163 1-MUSTANG GEN #3 22 KV
2	10G	G07_050	TO->FROM	FPL SWITCH - WOODWARD 138KV CKT 1	133	153	0.12299	106.6933	GEN336153 1-WATERFORD UNIT#3
2	10G	G07_050	TO->FROM	FPL SWITCH - WOODWARD 138KV CKT 1	133	153	0.12299	106.8418	GEN336821 1-GRAND GULF UNIT
2	10G	G07_050	TO->FROM	FPL SWITCH - WOODWARD 138KV CKT 1	133	153	0.12299	105.4163	GEN511839 1-NORTHEASTERN STATION #2
2	10G	G07_050	TO->FROM	FPL SWITCH - WOODWARD 138KV CKT 1	133	153	0.12299	106.4108	GEN520922 1-SLEEPING 138.00
2	10G	G07_050	TO->FROM	FPL SWITCH - WOODWARD 138KV CKT 1	133	153	0.12299	107.5862	GEN511848 1-SOUTHWESTERN STATION #3
2	10G	G07_050	TO->FROM	FPL SWITCH - WOODWARD 138KV CKT 1	133	153	0.12299	100.5715	GEN527164 1-MUSTANG GEN #4 22 KV
2	10G	G07_050	TO->FROM	FPL SWITCH - WOODWARD 138KV CKT 1	133	153	0.12299	108.2115	GEN515790 1-FPLWIND2
2	10G	G07_050	TO->FROM	FPL SWITCH - WOODWARD 138KV CKT 1	133	153	0.12299	100.1575	GEN560067 1-G06-49-3 0.6000
2	10G	G07_050	TO->FROM	FPL SWITCH - WOODWARD 138KV CKT 1	133	153	0.12299	100.0881	GEN645001 1-FORT CALHOUN 1
2	10G	G07_050	TO->FROM	FPL SWITCH - WOODWARD 138KV CKT 1	133	153	0.12299	100.2899	GEN532751 1-WOLF CREEK GENERATING STATION UNIT 1

Group Dispatch Scenario	SEASON	SOURCE	DIRECTION	MONTCOMMONNAME	RATEA	RATEB	TDF	LOADING%	CONTNAME
2	10G	G07_050	TO->FROM	FPL SWITCH - WOODWARD 138KV CKT 1	133	153	0.12299	115.4238	GEN560183 1-G07-51 0.6000
2	10G	G07_050	TO->FROM	FPL SWITCH - WOODWARD 138KV CKT 1	133	153	0.12299	100.3224	GEN542957 1-IATAN UNIT #1
2	10G	G07_050	TO->FROM	FPL SWITCH - WOODWARD 138KV CKT 1	133	153	0.12299	100.6005	GEN560036 1-G03-13-2 0.6000
2	10G	G07_050	TO->FROM	FPL SWITCH - WOODWARD 138KV CKT 1	133	153	0.12299	100.6005	GEN560035 1-G03-13-1 0.6000
2	10G	G07_050	TO->FROM	FPL SWITCH - WOODWARD 138KV CKT 1	133	153	0.12299	105.12	GEN560152 1-G06-46 0.6000
2	10G	G07_050	TO->FROM	FPL SWITCH - WOODWARD 138KV CKT 1	133	153	0.12299	118.0828	BASE CASE
2	10G	G07_050	TO->FROM	FPL SWITCH - WOODWARD 138KV CKT 1	133	153	0.12296	105.026	AMRN_OUTS6
2	10G	G07_050	TO->FROM	FPL SWITCH - WOODWARD 138KV CKT 1	133	153	0.12281	105.5246	GRAND ISLAND - SWEETWATER 345KV CKT 1
2	10G	G07_050	TO->FROM	FPL SWITCH - WOODWARD 138KV CKT 1	133	153	0.12277	100.497	OGE3TERM4
2	10G	G07_050	TO->FROM	FPL SWITCH - WOODWARD 138KV CKT 1	133	153	0.12271	115.7736	GRAPEVINE INTERCHANGE - NICHOLS STATION 230KV CKT 1
2	10G	G07_050	TO->FROM	FPL SWITCH - WOODWARD 138KV CKT 1	133	153	0.12269	105.2973	WRTOD400
2	10G	G07_050	TO->FROM	FPL SWITCH - WOODWARD 138KV CKT 1	133	153	0.12262	100.3692	WEATHERFORD JCT. - WEATHERFORD SOUTHEAST 138KV CKT 1
3	10G	G07_050	TO->FROM	FPL SWITCH - WOODWARD 138KV CKT 1	133	153	0.12259	103.7955	GEN560183 1-G07-51 0.6000
3	10G	G07_050	TO->FROM	FPL SWITCH - WOODWARD 138KV CKT 1	133	153	0.12259	104.5285	BASE CASE
2	10G	G07_050	TO->FROM	FPL SWITCH - WOODWARD 138KV CKT 1	133	153	0.12257	118.7333	BASE CASE
2	10G	G07_050	TO->FROM	FPL SWITCH - WOODWARD 138KV CKT 1	133	153	0.12257	106.0014	GEN511839 1-NORTHEASTERN STATION #2
2	10G	G07_050	TO->FROM	FPL SWITCH - WOODWARD 138KV CKT 1	133	153	0.12257	108.7793	GEN515790 1-FPLWND2
2	10G	G07_050	TO->FROM	FPL SWITCH - WOODWARD 138KV CKT 1	133	153	0.12257	105.8308	GEN511840 1-NORTHEASTERN STATION #3
2	10G	G07_050	TO->FROM	FPL SWITCH - WOODWARD 138KV CKT 1	133	153	0.12257	100.3857	GEN560066 1-G06-49-2 0.6000
2	10G	G07_050	TO->FROM	FPL SWITCH - WOODWARD 138KV CKT 1	133	153	0.12257	106.9845	GEN520922 1-SLEEPING 138.00
2	10G	G07_050	TO->FROM	FPL SWITCH - WOODWARD 138KV CKT 1	133	153	0.12257	100.9736	GEN532751 1-WOLF CREEK GENERATING STATION UNIT 1
2	10G	G07_050	TO->FROM	FPL SWITCH - WOODWARD 138KV CKT 1	133	153	0.12257	106.0456	GEN337652 1-WHITE BLUFF UNIT #1
2	10G	G07_050	TO->FROM	FPL SWITCH - WOODWARD 138KV CKT 1	133	153	0.12257	100.3352	GEN560065 1-G06-49-1 0.6000
2	10G	G07_050	TO->FROM	FPL SWITCH - WOODWARD 138KV CKT 1	133	153	0.12257	105.3711	GEN337041 1-GERALD ANDRUS
2	10G	G07_050	TO->FROM	FPL SWITCH - WOODWARD 138KV CKT 1	133	153	0.12257	107.4885	GEN336821 1-GRAND GULF UNIT
2	10G	G07_050	TO->FROM	FPL SWITCH - WOODWARD 138KV CKT 1	133	153	0.12257	100.0742	GEN532652 1-JEFFREY ENERGY CENTER UNIT 2
2	10G	G07_050	TO->FROM	FPL SWITCH - WOODWARD 138KV CKT 1	133	153	0.12257	110.8397	GEN514805 1-SOONER UNIT 1
2	10G	G07_050	TO->FROM	FPL SWITCH - WOODWARD 138KV CKT 1	133	153	0.12257	105.7195	GEN512689 1-GRDA1 GSU1 22
2	10G	G07_050	TO->FROM	FPL SWITCH - WOODWARD 138KV CKT 1	133	153	0.12257	100.7099	GEN645001 1-FORT CALHOUN 1
2	10G	G07_050	TO->FROM	FPL SWITCH - WOODWARD 138KV CKT 1	133	153	0.12257	106.2269	GEN512688 2-GRDA1 GSU2 22
2	10G	G07_050	TO->FROM	FPL SWITCH - WOODWARD 138KV CKT 1	133	153	0.12257	108.238	GEN514806 1-SOONER UNIT 2
2	10G	G07_050	TO->FROM	FPL SWITCH - WOODWARD 138KV CKT 1	133	153	0.12257	100.0649	GEN532651 1-JEFFREY ENERGY CENTER UNIT 1
2	10G	G07_050	TO->FROM	FPL SWITCH - WOODWARD 138KV CKT 1	133	153	0.12257	115.9935	GEN560183 1-G07-51 0.6000
2	10G	G07_050	TO->FROM	FPL SWITCH - WOODWARD 138KV CKT 1	133	153	0.12257	100.0739	GEN532653 1-JEFFREY ENERGY CENTER UNIT 3
2	10G	G07_050	TO->FROM	FPL SWITCH - WOODWARD 138KV CKT 1	133	153	0.12257	107.3299	GEN336153 1-WATERFORD UNIT#3
2	10G	G07_050	TO->FROM	FPL SWITCH - WOODWARD 138KV CKT 1	133	153	0.12257	106.777	GEN335831 1-RIVERBEND UNIT#1
2	10G	G07_050	TO->FROM	FPL SWITCH - WOODWARD 138KV CKT 1	133	153	0.12257	106.7343	GEN515223 1-MUSKOGEE 4G
2	10G	G07_050	TO->FROM	FPL SWITCH - WOODWARD 138KV CKT 1	133	153	0.12257	106.2706	GEN511843 1-RIVERSIDE STATION #2
2	10G	G07_050	TO->FROM	FPL SWITCH - WOODWARD 138KV CKT 1	133	153	0.12257	105.6877	GEN560152 1-G06-46 0.6000
2	10G	G07_050	TO->FROM	FPL SWITCH - WOODWARD 138KV CKT 1	133	153	0.12257	106.7773	GEN515225 1-MUSKOGEE 5G
2	10G	G07_050	TO->FROM	FPL SWITCH - WOODWARD 138KV CKT 1	133	153	0.12257	106.2157	GEN511842 1-RIVERSIDE STATION #1
2	10G	G07_050	TO->FROM	FPL SWITCH - WOODWARD 138KV CKT 1	133	153	0.12257	100.7653	GEN560067 1-G06-49-3 0.6000
2	10G	G07_050	TO->FROM	FPL SWITCH - WOODWARD 138KV CKT 1	133	153	0.12257	100.108	GEN527903 1-HOBBS PLANT #3 (ST)
2	10G	G07_050	TO->FROM	FPL SWITCH - WOODWARD 138KV CKT 1	133	153	0.12257	106.7619	GEN515226 1-MUSKOGEE 6G
2	10G	G07_050	TO->FROM	FPL SWITCH - WOODWARD 138KV CKT 1	133	153	0.12257	105.8033	GEN511841 1-NORTHEASTERN STATION #4
2	10G	G07_050	TO->FROM	FPL SWITCH - WOODWARD 138KV CKT 1	133	153	0.12257	108.1232	GEN511848 1-SOUTHWESTERN STATION #3
2	10G	G07_050	TO->FROM	FPL SWITCH - WOODWARD 138KV CKT 1	133	153	0.12257	105.7033	GEN501813 1-RODEMACHER UNIT 3
2	10G	G07_050	TO->FROM	FPL SWITCH - WOODWARD 138KV CKT 1	133	153	0.12257	106.2393	GEN509404 1-WELSH #1
2	10G	G07_050	TO->FROM	FPL SWITCH - WOODWARD 138KV CKT 1	133	153	0.12257	100.5353	GEN560045 1-G05-17-1 34.500
2	10G	G07_050	TO->FROM	FPL SWITCH - WOODWARD 138KV CKT 1	133	153	0.12257	106.8966	GEN337910 1-ARKANSAS NUCLEAR ONE UNIT #1
2	10G	G07_050	TO->FROM	FPL SWITCH - WOODWARD 138KV CKT 1	133	153	0.12257	106.868	GEN509403 1-PIRKEY GENERATION
2	10G	G07_050	TO->FROM	FPL SWITCH - WOODWARD 138KV CKT 1	133	153	0.12257	101.0321	GEN527161 1-MUSTANG GEN #1
2	10G	G07_050	TO->FROM	FPL SWITCH - WOODWARD 138KV CKT 1	133	153	0.12257	101.0321	GEN527162 1-MUSTANG GEN #2
2	10G	G07_050	TO->FROM	FPL SWITCH - WOODWARD 138KV CKT 1	133	153	0.12257	101.0027	GEN527901 1-HOBBS PLANT #1 (CT)
2	10G	G07_050	TO->FROM	FPL SWITCH - WOODWARD 138KV CKT 1	133	153	0.12257	100.2116	GEN539670 4-JUDSON LARGE GENERATOR
2	10G	G07_050	TO->FROM	FPL SWITCH - WOODWARD 138KV CKT 1	133	153	0.12257	100.5353	GEN560049 1-G05-17-3 34.500
2	10G	G07_050	TO->FROM	FPL SWITCH - WOODWARD 138KV CKT 1	133	153	0.12257	100.889	GEN527163 1-MUSTANG GEN #3 22 KV
2	10G	G07_050	TO->FROM	FPL SWITCH - WOODWARD 138KV CKT 1	133	153	0.12257	105.8264	GEN509394 1-FLINT CREEK
2	10G	G07_050	TO->FROM	FPL SWITCH - WOODWARD 138KV CKT 1	133	153	0.12257	107.6139	GEN337911 1-ARKANSAS NUCLEAR ONE UNIT #2
2	10G	G07_050	TO->FROM	FPL SWITCH - WOODWARD 138KV CKT 1	133	153	0.12257	101.1998	GEN560035 1-G03-13-1 0.6000

Group Dispatch Scenario	SEASON	SOURCE	DIRECTION	MONTCOMMONNAME	RATEA	RATEB	TDF	LOADING%	CONTNAME
2	10G	G07_050	TO->FROM	FPL SWITCH - WOODWARD 138KV CKT 1	133	153	0.12257	105.3809	GEN501812 1-RODEMACHER UNIT 2
2	10G	G07_050	TO->FROM	FPL SWITCH - WOODWARD 138KV CKT 1	133	153	0.12257	101.0258	GEN527164 1-MUSTANG GEN #4 22 KV
2	10G	G07_050	TO->FROM	FPL SWITCH - WOODWARD 138KV CKT 1	133	153	0.12257	106.9292	GEN501801 1-DOLET HILLS UNIT1
2	10G	G07_050	TO->FROM	FPL SWITCH - WOODWARD 138KV CKT 1	133	153	0.12257	100.3908	GEN560032 1-G02-06 0.6000
2	10G	G07_050	TO->FROM	FPL SWITCH - WOODWARD 138KV CKT 1	133	153	0.12257	101.0284	GEN527165 1-Mustang Gen #5
2	10G	G07_050	TO->FROM	FPL SWITCH - WOODWARD 138KV CKT 1	133	153	0.12257	105.532	GEN338146 1-INDEPENDENCE UNIT #2
2	10G	G07_050	TO->FROM	FPL SWITCH - WOODWARD 138KV CKT 1	133	153	0.12257	100.3116	GEN527882 1-CUNNINGHAM GEN #2 20 KV
2	10G	G07_050	TO->FROM	FPL SWITCH - WOODWARD 138KV CKT 1	133	153	0.12257	101.1998	GEN560036 1-G03-13-2 0.6000
2	10G	G07_050	TO->FROM	FPL SWITCH - WOODWARD 138KV CKT 1	133	153	0.12257	101.0027	GEN527902 1-HOBBS PLANT #2 (CT)
2	10G	G07_050	TO->FROM	FPL SWITCH - WOODWARD 138KV CKT 1	133	153	0.12257	100.954	GEN542957 1-IATAN UNIT #1
2	10G	G07_050	TO->FROM	FPL SWITCH - WOODWARD 138KV CKT 1	133	153	0.12257	106.2396	GEN509406 1-WELSH #3
2	10G	G07_050	TO->FROM	FPL SWITCH - WOODWARD 138KV CKT 1	133	153	0.12257	105.1952	GEN521116 1-RHWIND4 138.00
2	10G	G07_050	TO->FROM	FPL SWITCH - WOODWARD 138KV CKT 1	133	153	0.12257	106.2394	GEN509405 1-WELSH #2
2	10G	G07_050	TO->FROM	FPL SWITCH - WOODWARD 138KV CKT 1	133	153	0.12257	100.1916	GEN560055 1-G06-44-2 0.6000
2	10G	G07_050	TO->FROM	FPL SWITCH - WOODWARD 138KV CKT 1	133	153	0.12257	106.0534	GEN337653 1-WHITE BLUFF UNIT #2
2	10G	G07_050	TO->FROM	FPL SWITCH - WOODWARD 138KV CKT 1	133	153	0.12257	106.5534	GEN520947 1-HUGO1
2	10G	G07_050	TO->FROM	FPL SWITCH - WOODWARD 138KV CKT 1	133	153	0.12254	105.5927	AMRN_OUTS6
2	10G	G07_050	TO->FROM	FPL SWITCH - WOODWARD 138KV CKT 1	133	153	0.12245	100.4914	ALVA - KNOBHILL 69KV CKT 1
2	10G	G07_050	TO->FROM	FPL SWITCH - WOODWARD 138KV CKT 1	133	153	0.1224	116.2812	GRAPEVINE INTERCHANGE - NICHOLS STATION 230KV CKT 1
2	10G	G07_050	TO->FROM	FPL SWITCH - WOODWARD 138KV CKT 1	133	153	0.12236	100.2202	LYDIA - VALLIANT 345KV CKT 1
2	10G	G07_050	TO->FROM	FPL SWITCH - WOODWARD 138KV CKT 1	133	153	0.12235	100.311	SPP-AEPW-01
2	10G	G07_050	TO->FROM	FPL SWITCH - WOODWARD 138KV CKT 1	133	153	0.12235	101.0716	OGE3TERM4
2	10G	G07_050	TO->FROM	FPL SWITCH - WOODWARD 138KV CKT 1	133	153	0.12219	100.9922	WEATHERFORD JCT. - WEATHERFORD SOUTHEAST 138KV CKT 1
5	10G	G07_050	TO->FROM	FPL SWITCH - WOODWARD 138KV CKT 1	133	153	0.12217	102.2629	SPP-SWPS-03B
2	10G	G07_050	TO->FROM	FPL SWITCH - WOODWARD 138KV CKT 1	133	153	0.12216	121.5565	SPP-SWPS-03B
5	10G	G07_050	TO->FROM	FPL SWITCH - WOODWARD 138KV CKT 1	133	153	0.12215	112.6557	ELK CITY 230KV (ELKCTY-6) 230/138/13.8KV TRANSFORMER CKT 1
5	10G	G07_050	TO->FROM	FPL SWITCH - WOODWARD 138KV CKT 1	133	153	0.12215	112.6639	BECKHAM CO 230.00 - ELK CITY 230KV 230KV CKT 1
5	10G	G07_050	TO->FROM	FPL SWITCH - WOODWARD 138KV CKT 1	133	153	0.12215	101.6593	GRAPEVINE INTERCHANGE - STATELINE INTERCHANGE 230KV CKT 1
5	10G	G07_050	TO->FROM	FPL SWITCH - WOODWARD 138KV CKT 1	133	153	0.12215	101.6188	BECKHAM CO 230.00 - STATELINE INTERCHANGE 230KV CKT 1
2	10G	G07_050	TO->FROM	FPL SWITCH - WOODWARD 138KV CKT 1	133	153	0.12214	131.4615	ELK CITY 230KV (ELKCTY-6) 230/138/13.8KV TRANSFORMER CKT 1
2	10G	G07_050	TO->FROM	FPL SWITCH - WOODWARD 138KV CKT 1	133	153	0.12214	120.7068	GRAPEVINE INTERCHANGE - STATELINE INTERCHANGE 230KV CKT 1
2	10G	G07_050	TO->FROM	FPL SWITCH - WOODWARD 138KV CKT 1	133	153	0.12214	120.6768	BECKHAM CO 230.00 - STATELINE INTERCHANGE 230KV CKT 1
2	10G	G07_050	TO->FROM	FPL SWITCH - WOODWARD 138KV CKT 1	133	153	0.12214	131.4643	BECKHAM CO 230.00 - ELK CITY 230KV 230KV CKT 1
2	10G	G07_050	TO->FROM	FPL SWITCH - WOODWARD 138KV CKT 1	133	153	0.12205	105.105	ELK CITY - FALCON ROAD 138KV CKT 1
2	10G	G07_050	TO->FROM	FPL SWITCH - WOODWARD 138KV CKT 1	133	153	0.12203	101.0671	ALVA - KNOBHILL 69KV CKT 1
3	10G	G07_050	TO->FROM	FPL SWITCH - WOODWARD 138KV CKT 1	133	153	0.12201	109.9459	BECKHAM CO 230.00 - ELK CITY 230KV 230KV CKT 1
3	10G	G07_050	TO->FROM	FPL SWITCH - WOODWARD 138KV CKT 1	133	153	0.12201	109.9407	ELK CITY 230KV (ELKCTY-6) 230/138/13.8KV TRANSFORMER CKT 1
5	10G	G07_050	TO->FROM	FPL SWITCH - WOODWARD 138KV CKT 1	133	153	0.12199	102.9974	SPP-SWPS-03B
2	10G	G07_050	TO->FROM	FPL SWITCH - WOODWARD 138KV CKT 1	133	153	0.12198	121.8661	SPP-SWPS-03B
5	10G	G07_050	TO->FROM	FPL SWITCH - WOODWARD 138KV CKT 1	133	153	0.12197	113.4847	BECKHAM CO 230.00 - ELK CITY 230KV 230KV CKT 1
5	10G	G07_050	TO->FROM	FPL SWITCH - WOODWARD 138KV CKT 1	133	153	0.12197	113.4768	ELK CITY 230KV (ELKCTY-6) 230/138/13.8KV TRANSFORMER CKT 1
5	10G	G07_050	TO->FROM	FPL SWITCH - WOODWARD 138KV CKT 1	133	153	0.12197	102.4427	GRAPEVINE INTERCHANGE - STATELINE INTERCHANGE 230KV CKT 1
5	10G	G07_050	TO->FROM	FPL SWITCH - WOODWARD 138KV CKT 1	133	153	0.12197	102.4097	BECKHAM CO 230.00 - STATELINE INTERCHANGE 230KV CKT 1
2	10G	G07_050	TO->FROM	FPL SWITCH - WOODWARD 138KV CKT 1	133	153	0.12196	120.9754	GRAPEVINE INTERCHANGE - STATELINE INTERCHANGE 230KV CKT 1
2	10G	G07_050	TO->FROM	FPL SWITCH - WOODWARD 138KV CKT 1	133	153	0.12196	131.8555	ELK CITY 230KV (ELKCTY-6) 230/138/13.8KV TRANSFORMER CKT 1
2	10G	G07_050	TO->FROM	FPL SWITCH - WOODWARD 138KV CKT 1	133	153	0.12196	120.9478	BECKHAM CO 230.00 - STATELINE INTERCHANGE 230KV CKT 1
2	10G	G07_050	TO->FROM	FPL SWITCH - WOODWARD 138KV CKT 1	133	153	0.12196	131.8642	BECKHAM CO 230.00 - ELK CITY 230KV 230KV CKT 1

Group Dispatch Scenario	SEASON	SOURCE	DIRECTION	MONTCOMMONNAME	RATEA	RATEB	TDF	LOADING%	CONTNAME
2	10G	G07_050	TO->FROM	FPL SWITCH - WOODWARD 138KV CKT 1	133	153	0.12194	100.8241	LYDIA - VALLIANT 345KV CKT 1
2	10G	G07_050	TO->FROM	FPL SWITCH - WOODWARD 138KV CKT 1	133	153	0.12194	100.914	SPP-AEPW-01
2	10G	G07_050	TO->FROM	FPL SWITCH - WOODWARD 138KV CKT 1	133	153	0.12163	105.6677	ELK CITY - FALCON ROAD 138KV CKT 1
2	10G	G07_050	TO->FROM	FPL SWITCH - WOODWARD 138KV CKT 1	133	153	0.12117	100.6564	OKEENE - WATONGA SW 69KV CKT 1
2	10G	G07_050	TO->FROM	FPL SWITCH - WOODWARD 138KV CKT 1	133	153	0.12076	101.2153	OKEENE - WATONGA SW 69KV CKT 1
2	10G	G07_050	TO->FROM	FPL SWITCH - WOODWARD 138KV CKT 1	133	153	0.11977	100.1551	HELENAT2 69.000 - SALINE 69KV CKT 1
2	10G	G07_050	TO->FROM	FPL SWITCH - WOODWARD 138KV CKT 1	133	153	0.11935	100.3264	KNOBHILL - SALINE 69KV CKT 1
2	10G	G07_050	TO->FROM	FPL SWITCH - WOODWARD 138KV CKT 1	133	153	0.11935	100.7181	HELENAT2 69.000 - SALINE 69KV CKT 1
2	10G	G07_050	TO->FROM	FPL SWITCH - WOODWARD 138KV CKT 1	133	153	0.11795	111.6982	WOODRING (WOODRNG2) 345/138/13.8KV TRANSFORMER CKT 1
3	10G	G07_050	TO->FROM	FPL SWITCH - WOODWARD 138KV CKT 1	133	153	0.11754	101.4462	WOODRING (WOODRNG2) 345/138/13.8KV TRANSFORMER CKT 1
2	10G	G07_050	TO->FROM	FPL SWITCH - WOODWARD 138KV CKT 1	133	153	0.11753	112.2775	WOODRING (WOODRNG2) 345/138/13.8KV TRANSFORMER CKT 1
2	10G	G07_050	TO->FROM	FPL SWITCH - WOODWARD 138KV CKT 1	133	153	0.11611	100.1539	DOVER SW - HENESSEY 138KV CKT 1
2	10G	G07_050	TO->FROM	FPL SWITCH - WOODWARD 138KV CKT 1	133	153	0.11569	100.7217	DOVER SW - HENESSEY 138KV CKT 1
1	10G	G07_050	TO->FROM	EL RENO - ROMAN NOSE 138KV CKT 1	133	153	0.06061	120.0742	WWRDEHV7 345.00 (WWDEHV-T2) 345/138/13.8KV TRANSFORMER CKT 2
1	10G	G07_050	TO->FROM	EL RENO - ROMAN NOSE 138KV CKT 1	133	153	0.06061	120.0742	WWRDEHV7 345.00 (WWDEHV-T) 345/138/13.8KV TRANSFORMER CKT 1
1	10G	G07_050	TO->FROM	EL RENO - ROMAN NOSE 138KV CKT 1	133	153	0.05958	133.9436	PP-002
2	10G	G07_050	TO->FROM	WOODWARD - WOODWARD 69KV CKT 1	53	65	0.05798	126.1303	FPL SWITCH - MOORELAND 138KV CKT 1
5	10G	G07_050	TO->FROM	WOODWARD - WOODWARD 69KV CKT 1	53	65	0.05798	101.2144	FPL SWITCH - MOORELAND 138KV CKT 1
2	10G	G07_050	TO->FROM	WOODWARD - WOODWARD 69KV CKT 1	53	65	0.05798	117.8007	FPL SWITCH - WOODWARD 138KV CKT 1
1	10G	G07_050	TO->FROM	EL RENO - ROMAN NOSE 138KV CKT 1	133	153	0.05779	143.439	NORTHWEST - TATONGA EHV 345.00 345KV CKT 1
1	10G	G07_050	TO->FROM	EL RENO - ROMAN NOSE 138KV CKT 1	133	153	0.05779	121.3541	TATONGA EHV 345.00 - WWRDEHV7 345.00 345KV CKT 1
3	10G	G07_050	TO->FROM	WOODWARD - WOODWARD 69KV CKT 1	53	65	0.05778	112.4729	FPL SWITCH - MOORELAND 138KV CKT 1
3	10G	G07_050	TO->FROM	WOODWARD - WOODWARD 69KV CKT 1	53	65	0.05778	103.9867	FPL SWITCH - WOODWARD 138KV CKT 1
5	10G	G07_050	TO->FROM	WOODWARD - WOODWARD 69KV CKT 1	53	65	0.05777	102.9277	FPL SWITCH - MOORELAND 138KV CKT 1
2	10G	G07_050	TO->FROM	WOODWARD - WOODWARD 69KV CKT 1	53	65	0.05777	118.3787	FPL SWITCH - WOODWARD 138KV CKT 1
2	10G	G07_050	TO->FROM	WOODWARD - WOODWARD 69KV CKT 1	53	65	0.05777	126.7085	FPL SWITCH - MOORELAND 138KV CKT 1
1	10G	G07_050	TO->FROM	GLASS MOUNTAIN - MOORELAND 138KV CKT 1	124	124	0.05533	107.029	PP-002
1	10G	G07_050	TO->FROM	EL RENO - ROMAN NOSE 138KV CKT 1	133	153	0.05287	130.2215	PP-004
1	10G	G07_050	TO->FROM	EL RENO - ROMAN NOSE 138KV CKT 1	133	153	0.05178	127.8664	PP-005
1	10G	G07_050	TO->FROM	GLASS MOUNTAIN - MOORELAND 138KV CKT 1	124	124	0.04904	108.7186	NORTHWEST - TATONGA EHV 345.00 345KV CKT 1
1	10G	G07_050	TO->FROM	EL RENO - ROMAN NOSE 138KV CKT 1	133	153	0.04902	120.5753	MOORELAND - MOREWOOD SW 138KV CKT 1
1	10G	G07_050	TO->FROM	EL RENO - ROMAN NOSE 138KV CKT 1	133	153	0.04885	121.6142	IMO TAP - MEN TAP 138KV CKT 1
1	10G	G07_050	TO->FROM	EL RENO - ROMAN NOSE 138KV CKT 1	133	153	0.04885	121.7578	CLEO CORNER - MEN TAP 138KV CKT 1
1	10G	G07_050	TO->FROM	GLASS MOUNTAIN - MOORELAND 138KV CKT 1	124	124	0.04843	102.6543	PP-004
1	10G	G07_050	TO->FROM	EL RENO - ROMAN NOSE 138KV CKT 1	133	153	0.04822	121.6658	GLASS MOUNTAIN - MOORELAND 138KV CKT 1
1	10G	G07_050	TO->FROM	EL RENO - ROMAN NOSE 138KV CKT 1	133	153	0.04822	121.5719	CLEO CORNER - GLASS MOUNTAIN 138KV CKT 1
1	10G	G07_050	TO->FROM	EL RENO - ROMAN NOSE 138KV CKT 1	133	153	0.04812	120.2965	COMANCH5 345.00 - WWRDEHV7 345.00 345KV CKT 1
1	10G	G07_050	TO->FROM	EL RENO - ROMAN NOSE 138KV CKT 1	133	153	0.04812	120.2965	COMANCH5 345.00 - WWRDEHV7 345.00 345KV CKT 2
1	10G	G07_050	TO->FROM	EL RENO - ROMAN NOSE 138KV CKT 1	133	153	0.04806	120.9517	DOVER SW - OKEENE 138KV CKT 1
1	10G	G07_050	TO->FROM	EL RENO - ROMAN NOSE 138KV CKT 1	133	153	0.04799	121.0571	OGE3TERM9
1	10G	G07_050	TO->FROM	EL RENO - ROMAN NOSE 138KV CKT 1	133	153	0.04754	122.6318	TALOGA (TALOGA) 138/69/13.8KV TRANSFORMER CKT 1
1	10G	G07_050	TO->FROM	EL RENO - ROMAN NOSE 138KV CKT 1	133	153	0.0473	120.1707	CEDARDALE - MOORELAND 138KV CKT 1
1	10G	G07_050	TO->FROM	EL RENO - ROMAN NOSE 138KV CKT 1	133	153	0.0473	120.1187	CEDARDALE - OKEENE 138KV CKT 1
1	10G	G07_050	TO->FROM	EL RENO - ROMAN NOSE 138KV CKT 1	133	153	0.04729	121.1443	ELK CITY - RHWIND4 138.00 138KV CKT 1
1	10G	G07_050	TO->FROM	EL RENO - ROMAN NOSE 138KV CKT 1	133	153	0.04716	120.2207	CANTON - TALOGA 69KV CKT 1
1	10G	G07_050	TO->FROM	EL RENO - ROMAN NOSE 138KV CKT 1	133	153	0.04716	120.0299	CANTON - OKEENE 69KV CKT 1
1	10G	G07_050	TO->FROM	EL RENO - ROMAN NOSE 138KV CKT 1	133	153	0.0471	119.8442	MED-LDG5 345.00 - WICHITA 345KV CKT 1
1	10G	G07_050	TO->FROM	EL RENO - ROMAN NOSE 138KV CKT 1	133	153	0.0471	119.8442	MED-LDG5 345.00 - WICHITA 345KV CKT 2
1	10G	G07_050	TO->FROM	EL RENO - ROMAN NOSE 138KV CKT 1	133	153	0.04671	121.6404	G05-15T 345.00 - OKLAUNION 345KV CKT 1
1	10G	G07_050	TO->FROM	EL RENO - ROMAN NOSE 138KV CKT 1	133	153	0.04671	126.3177	LAWTON EASTSIDE - OKLAUNION 345KV CKT 1
1	10G	G07_050	TO->FROM	EL RENO - ROMAN NOSE 138KV CKT 1	133	153	0.04671	120.3592	CLINTON JUNCTION - ELK CITY 138KV CKT 1
1	10G	G07_050	TO->FROM	EL RENO - ROMAN NOSE 138KV CKT 1	133	153	0.04671	120.3006	G05-15T 345.00 - TUCO INTERCHANGE 345KV CKT 1
1	10G	G07_050	TO->FROM	EL RENO - ROMAN NOSE 138KV CKT 1	133	153	0.04659	125.2047	DEWEY - TALOGA 138KV CKT 1
1	10G	G07_050	TO->FROM	EL RENO - ROMAN NOSE 138KV CKT 1	133	153	0.04619	119.6213	WEATHERFORD JCT. - WEATHERFORD SOUTHEAST 138KV CKT 1
1	10G	G07_050	TO->FROM	EL RENO - ROMAN NOSE 138KV CKT 1	133	153	0.04575	115.3827	GEN560221 1-G07-62-1 0.6900
1	10G	G07_050	TO->FROM	EL RENO - ROMAN NOSE 138KV CKT 1	133	153	0.04575	115.4783	GEN515397 1-OUSPRT 1 34.500

Group Dispatch Scenario	SEASON	SOURCE	DIRECTION	MONTCOMMONNAME	RATEA	RATEB	TDF	LOADING%	CONTNAME
1	10G	G07_050	TO->FROM	EL RENO - ROMAN NOSE 138KV CKT 1	133	153	0.04575	121.8683	GEN336821 1-GRAND GULF UNIT
1	10G	G07_050	TO->FROM	EL RENO - ROMAN NOSE 138KV CKT 1	133	153	0.04575	114.9086	GEN523972 1-HARRINGTON GEN #2 24 KV
1	10G	G07_050	TO->FROM	EL RENO - ROMAN NOSE 138KV CKT 1	133	153	0.04575	135.2682	BASE CASE
1	10G	G07_050	TO->FROM	EL RENO - ROMAN NOSE 138KV CKT 1	133	153	0.04575	120.0944	GEN515223 1-MUSKOGEE 4G
1	10G	G07_050	TO->FROM	EL RENO - ROMAN NOSE 138KV CKT 1	133	153	0.04575	115.1337	GEN515364 1-CENT 11 0.6000
1	10G	G07_050	TO->FROM	EL RENO - ROMAN NOSE 138KV CKT 1	133	153	0.04575	119.8343	GEN501813 1-RODEMACHER UNIT 3
1	10G	G07_050	TO->FROM	EL RENO - ROMAN NOSE 138KV CKT 1	133	153	0.04575	113.7816	GEN525561 1-TOLK GEN #1 24 KV
1	10G	G07_050	TO->FROM	EL RENO - ROMAN NOSE 138KV CKT 1	133	153	0.04575	115.3827	GEN560222 1-G07-62-2 0.6900
1	10G	G07_050	TO->FROM	EL RENO - ROMAN NOSE 138KV CKT 1	133	153	0.04575	121.0867	GEN335831 1-RIVERBEND UNIT#1
1	10G	G07_050	TO->FROM	EL RENO - ROMAN NOSE 138KV CKT 1	133	153	0.04575	121.4429	GEN337911 1-ARKANSAS NUCLEAR ONE UNIT #2
1	10G	G07_050	TO->FROM	EL RENO - ROMAN NOSE 138KV CKT 1	133	153	0.04575	114.9165	GEN523971 1-HARRINGTON GEN #1 24 KV
1	10G	G07_050	TO->FROM	EL RENO - ROMAN NOSE 138KV CKT 1	133	153	0.04575	120.8183	GEN337910 1-ARKANSAS NUCLEAR ONE UNIT #1
1	10G	G07_050	TO->FROM	EL RENO - ROMAN NOSE 138KV CKT 1	133	153	0.04575	120.0456	GEN338146 1-INDEPENDENCE UNIT #2
1	10G	G07_050	TO->FROM	EL RENO - ROMAN NOSE 138KV CKT 1	133	153	0.04575	121.6099	GEN336153 1-WATERFORD UNIT#3
1	10G	G07_050	TO->FROM	EL RENO - ROMAN NOSE 138KV CKT 1	133	153	0.04575	120.2956	GEN337653 1-WHITE BLUFF UNIT #2
1	10G	G07_050	TO->FROM	EL RENO - ROMAN NOSE 138KV CKT 1	133	153	0.04575	115.1864	GEN531447 1-HOLCOMB GENERATOR
1	10G	G07_050	TO->FROM	EL RENO - ROMAN NOSE 138KV CKT 1	133	153	0.04575	104.1375	GEN560152 1-G06-46 0.6000
1	10G	G07_050	TO->FROM	EL RENO - ROMAN NOSE 138KV CKT 1	133	153	0.04575	120.2853	GEN337652 1-WHITE BLUFF UNIT #1
1	10G	G07_050	TO->FROM	EL RENO - ROMAN NOSE 138KV CKT 1	133	153	0.04575	120.1247	GEN515225 1-MUSKOGEE 5G
1	10G	G07_050	TO->FROM	EL RENO - ROMAN NOSE 138KV CKT 1	133	153	0.04575	111.4377	GEN560183 1-G07-51 0.6000
1	10G	G07_050	TO->FROM	EL RENO - ROMAN NOSE 138KV CKT 1	133	153	0.04575	119.8306	GEN337041 1-GERALD ANDRUS
1	10G	G07_050	TO->FROM	EL RENO - ROMAN NOSE 138KV CKT 1	133	153	0.04575	120.114	GEN515226 1-MUSKOGEE 6G
1	10G	G07_050	TO->FROM	EL RENO - ROMAN NOSE 138KV CKT 1	133	153	0.04575	113.3862	GEN560182 1-G07-50 0.6000
1	10G	G07_050	TO->FROM	EL RENO - ROMAN NOSE 138KV CKT 1	133	153	0.04575	114.0849	GEN525562 1-TOLK GEN #2 24 KV
1	10G	G07_050	TO->FROM	EL RENO - ROMAN NOSE 138KV CKT 1	133	153	0.04575	119.9253	GEN509406 1-WELSH #3
1	10G	G07_050	TO->FROM	EL RENO - ROMAN NOSE 138KV CKT 1	133	153	0.04575	114.7148	GEN520922 1-SLEEPING 138.00
1	10G	G07_050	TO->FROM	EL RENO - ROMAN NOSE 138KV CKT 1	133	153	0.04575	119.9252	GEN509405 1-WELSH #2
1	10G	G07_050	TO->FROM	EL RENO - ROMAN NOSE 138KV CKT 1	133	153	0.04575	119.9252	GEN509404 1-WELSH #1
1	10G	G07_050	TO->FROM	EL RENO - ROMAN NOSE 138KV CKT 1	133	153	0.04575	114.5659	GEN515790 1-FPLWWD2
1	10G	G07_050	TO->FROM	EL RENO - ROMAN NOSE 138KV CKT 1	133	153	0.04575	119.9709	GEN520947 1-HUGO1
1	10G	G07_050	TO->FROM	EL RENO - ROMAN NOSE 138KV CKT 1	133	153	0.04575	120.4516	GEN509403 1-PIRKEY GENERATION
1	10G	G07_050	TO->FROM	EL RENO - ROMAN NOSE 138KV CKT 1	133	153	0.04466	115.6882	EL RENO - JENSEN TAP 138KV CKT 1
1	10G	G07_050	TO->FROM	EL RENO - ROMAN NOSE 138KV CKT 1	133	153	0.04456	115.4014	CIMARRON - JENSEN TAP 138KV CKT 1
1	10G	G07_050	TO->FROM	EL RENO - ROMAN NOSE 138KV CKT 1	133	153	0.04261	111.6477	CIMARRON - EL RENO 138KV CKT 1
1	10G	G07_050	TO->FROM	EL RENO - ROMAN NOSE 138KV CKT 1	133	153	0.04037	113.9006	FPL SWITCH - MOORELAND 138KV CKT 1
5	10G	G07_050	FROM->TO	HARPER - MILAN TAP 138KV CKT 1	95.6	95.6	0.036	111.8206	PP-005
2	10G	G07_050	FROM->TO	HARPER - MILAN TAP 138KV CKT 1	95.6	95.6	0.03597	133.1428	PP-005
2	10G	G07_050	TO->FROM	CLEARWATER - MILAN TAP 138KV CKT 1	110	110	0.03597	106.8548	PP-005
3	10G	G07_050	FROM->TO	HARPER - MILAN TAP 138KV CKT 1	95.6	95.6	0.03592	145.745	PP-005
3	10G	G07_050	FROM->TO	CLEARWATER - GILL ENERGY CENTER WEST 138KV CKT 1	110	110	0.03592	107.3164	PP-005
3	10G	G07_050	TO->FROM	CLEARWATER - MILAN TAP 138KV CKT 1	110	110	0.03592	117.847	PP-005
1	10G	G07_050	FROM->TO	HARPER - MILAN TAP 138KV CKT 1	95.6	95.6	0.03592	134.1493	PP-005
1	10G	G07_050	TO->FROM	CLEARWATER - MILAN TAP 138KV CKT 1	110	110	0.03592	107.7224	PP-005
5	10G	G07_050	FROM->TO	HARPER - MILAN TAP 138KV CKT 1	95.6	95.6	0.03589	112.455	PP-005
2	10G	G07_050	TO->FROM	CLEARWATER - MILAN TAP 138KV CKT 1	110	110	0.03585	107.0316	PP-005
2	10G	G07_050	FROM->TO	HARPER - MILAN TAP 138KV CKT 1	95.6	95.6	0.03585	133.3466	PP-005
1	10G	G07_050	TO->FROM	EL RENO - ROMAN NOSE 138KV CKT 1	133	153	0.03237	115.2103	DEWEY - IODINE 138KV CKT 1
1	10G	G07_050	TO->FROM	EL RENO - ROMAN NOSE 138KV CKT 1	133	153	0.03237	114.4971	IODINE - WWRDEHV4 138.00 138KV CKT 1
1	10G	G07_051	TO->FROM	GLASS MOUNTAIN - MOORELAND 138KV CKT 1	124	124	0.10891	107.029	PP-002
1	10G	G07_051	TO->FROM	GLASS MOUNTAIN - MOORELAND 138KV CKT 1	124	124	0.10343	102.6543	PP-004
1	10G	G07_051	TO->FROM	GLASS MOUNTAIN - MOORELAND 138KV CKT 1	124	124	0.1032	108.7186	NORTHWEST - TATONGA EHV 345.00 345KV CKT 1
1	10G	G07_051	TO->FROM	EL RENO - ROMAN NOSE 138KV CKT 1	133	153	0.08443	113.9006	FPL SWITCH - MOORELAND 138KV CKT 1
1	10G	G07_051	TO->FROM	EL RENO - ROMAN NOSE 138KV CKT 1	133	153	0.07604	115.2103	DEWEY - IODINE 138KV CKT 1
1	10G	G07_051	TO->FROM	EL RENO - ROMAN NOSE 138KV CKT 1	133	153	0.07604	114.4971	IODINE - WWRDEHV4 138.00 138KV CKT 1
1	10G	G07_051	TO->FROM	EL RENO - ROMAN NOSE 138KV CKT 1	133	153	0.07488	120.0742	WWRDEHV7 345.00 (WWRDEHV-T2) 345/138/13.8KV TRANSFORMER CKT 2
1	10G	G07_051	TO->FROM	EL RENO - ROMAN NOSE 138KV CKT 1	133	153	0.07488	120.0742	WWRDEHV7 345.00 (WWRDEHV-T) 345/138/13.8KV TRANSFORMER CKT 1
1	10G	G07_051	TO->FROM	EL RENO - ROMAN NOSE 138KV CKT 1	133	153	0.07455	133.9436	PP-002
1	10G	G07_051	TO->FROM	EL RENO - ROMAN NOSE 138KV CKT 1	133	153	0.07263	120.5753	MOORELAND - MOREWOOD SW 138KV CKT 1
1	10G	G07_051	TO->FROM	EL RENO - ROMAN NOSE 138KV CKT 1	133	153	0.0719	121.3541	TATONGA EHV 345.00 - WWRDEHV7 345.00 345KV CKT 1
1	10G	G07_051	TO->FROM	EL RENO - ROMAN NOSE 138KV CKT 1	133	153	0.0719	143.439	NORTHWEST - TATONGA EHV 345.00 345KV CKT 1

Group Dispatch Scenario	SEASON	SOURCE	DIRECTION	MONTCOMMONNAME	RATEA	RATEB	TDF	LOADING%	CONTNAME
1	10G	G07_051	TO->FROM	EL RENO - ROMAN NOSE 138KV CKT 1	133	153	0.07151	121.7578	CLEO CORNER - MEN TAP 138KV CKT 1
1	10G	G07_051	TO->FROM	EL RENO - ROMAN NOSE 138KV CKT 1	133	153	0.07151	121.6142	IMO TAP - MEN TAP 138KV CKT 1
1	10G	G07_051	TO->FROM	EL RENO - ROMAN NOSE 138KV CKT 1	133	153	0.0701	121.5719	CLEO CORNER - GLASS MOUNTAIN 138KV CKT 1
1	10G	G07_051	TO->FROM	EL RENO - ROMAN NOSE 138KV CKT 1	133	153	0.0701	121.6658	GLASS MOUNTAIN - MOORELAND 138KV CKT 1
1	10G	G07_051	TO->FROM	EL RENO - ROMAN NOSE 138KV CKT 1	133	153	0.06926	130.2215	PP-004
1	10G	G07_051	TO->FROM	EL RENO - ROMAN NOSE 138KV CKT 1	133	153	0.06925	120.9517	DOVER SW - OKEENE 138KV CKT 1
1	10G	G07_051	TO->FROM	EL RENO - ROMAN NOSE 138KV CKT 1	133	153	0.06911	121.0571	OGE3TERM9
1	10G	G07_051	TO->FROM	EL RENO - ROMAN NOSE 138KV CKT 1	133	153	0.06844	127.8664	PP-005
1	10G	G07_051	TO->FROM	EL RENO - ROMAN NOSE 138KV CKT 1	133	153	0.06815	120.1707	CEDARDALE - MOORELAND 138KV CKT 1
1	10G	G07_051	TO->FROM	EL RENO - ROMAN NOSE 138KV CKT 1	133	153	0.06815	120.1187	CEDARDALE - OKEENE 138KV CKT 1
1	10G	G07_051	TO->FROM	EL RENO - ROMAN NOSE 138KV CKT 1	133	153	0.06811	121.1443	ELK CITY - RHWIND4 138.00 138KV CKT 1
1	10G	G07_051	TO->FROM	EL RENO - ROMAN NOSE 138KV CKT 1	133	153	0.06653	122.6318	TALOGA (TALOGA) 138/69/13.8KV TRANSFORMER CKT 1
1	10G	G07_051	TO->FROM	EL RENO - ROMAN NOSE 138KV CKT 1	133	153	0.06595	120.3592	CLINTON JUNCTION - ELK CITY 138KV CKT 1
1	10G	G07_051	TO->FROM	EL RENO - ROMAN NOSE 138KV CKT 1	133	153	0.0659	120.2965	COMANCH5 345.00 - WWRDEHV7 345.00 345KV CKT 1
1	10G	G07_051	TO->FROM	EL RENO - ROMAN NOSE 138KV CKT 1	133	153	0.0659	120.2965	COMANCH5 345.00 - WWRDEHV7 345.00 345KV CKT 2
1	10G	G07_051	TO->FROM	EL RENO - ROMAN NOSE 138KV CKT 1	133	153	0.06508	119.8442	MED-LDG5 345.00 - WICHITA 345KV CKT 2
1	10G	G07_051	TO->FROM	EL RENO - ROMAN NOSE 138KV CKT 1	133	153	0.06508	119.8442	MED-LDG5 345.00 - WICHITA 345KV CKT 1
1	10G	G07_051	TO->FROM	EL RENO - ROMAN NOSE 138KV CKT 1	133	153	0.06505	119.6213	WEATHERFORD JCT. - WEATHERFORD SOUTHEAST 138KV CKT 1
1	10G	G07_051	TO->FROM	EL RENO - ROMAN NOSE 138KV CKT 1	133	153	0.06499	120.0299	CANTON - OKEENE 69KV CKT 1
1	10G	G07_051	TO->FROM	EL RENO - ROMAN NOSE 138KV CKT 1	133	153	0.06499	120.2207	CANTON - TALOGA 69KV CKT 1
1	10G	G07_051	TO->FROM	EL RENO - ROMAN NOSE 138KV CKT 1	133	153	0.0644	126.3177	LAWTON EASTSIDE - OKLAUNION 345KV CKT 1
1	10G	G07_051	TO->FROM	EL RENO - ROMAN NOSE 138KV CKT 1	133	153	0.0644	120.3006	G05-15T 345.00 - TUCO INTERCHANGE 345KV CKT 1
1	10G	G07_051	TO->FROM	EL RENO - ROMAN NOSE 138KV CKT 1	133	153	0.0644	121.6404	G05-15T 345.00 - OKLAUNION 345KV CKT 1
1	10G	G07_051	TO->FROM	EL RENO - ROMAN NOSE 138KV CKT 1	133	153	0.06411	115.3827	GEN560222 1-G07-62-2 0.6900
1	10G	G07_051	TO->FROM	EL RENO - ROMAN NOSE 138KV CKT 1	133	153	0.06411	121.6099	GEN336153 1-WATERFORD UNIT#3
1	10G	G07_051	TO->FROM	EL RENO - ROMAN NOSE 138KV CKT 1	133	153	0.06411	115.3827	GEN560221 1-G07-62-1 0.6900
1	10G	G07_051	TO->FROM	EL RENO - ROMAN NOSE 138KV CKT 1	133	153	0.06411	121.0867	GEN335831 1-RIVERBEND UNIT#1
1	10G	G07_051	TO->FROM	EL RENO - ROMAN NOSE 138KV CKT 1	133	153	0.06411	121.8683	GEN336821 1-GRAND GULF UNIT
1	10G	G07_051	TO->FROM	EL RENO - ROMAN NOSE 138KV CKT 1	133	153	0.06411	119.9253	GEN509406 1-WELSH #3
1	10G	G07_051	TO->FROM	EL RENO - ROMAN NOSE 138KV CKT 1	133	153	0.06411	119.8343	GEN501813 1-RODEMACHER UNIT 3
1	10G	G07_051	TO->FROM	EL RENO - ROMAN NOSE 138KV CKT 1	133	153	0.06411	113.7816	GEN525561 1-TOLK GEN #1 24 KV
1	10G	G07_051	TO->FROM	EL RENO - ROMAN NOSE 138KV CKT 1	133	153	0.06411	114.9086	GEN523972 1-HARRINGTON GEN #2 24 KV
1	10G	G07_051	TO->FROM	EL RENO - ROMAN NOSE 138KV CKT 1	133	153	0.06411	119.8306	GEN337041 1-GERALD ANDRUS
1	10G	G07_051	TO->FROM	EL RENO - ROMAN NOSE 138KV CKT 1	133	153	0.06411	119.9252	GEN509404 1-WELSH #1
1	10G	G07_051	TO->FROM	EL RENO - ROMAN NOSE 138KV CKT 1	133	153	0.06411	119.9252	GEN509405 1-WELSH #2
1	10G	G07_051	TO->FROM	EL RENO - ROMAN NOSE 138KV CKT 1	133	153	0.06411	114.0849	GEN525562 1-TOLK GEN #2 24 KV
1	10G	G07_051	TO->FROM	EL RENO - ROMAN NOSE 138KV CKT 1	133	153	0.06411	119.9709	GEN520947 1-HUGO1
1	10G	G07_051	TO->FROM	EL RENO - ROMAN NOSE 138KV CKT 1	133	153	0.06411	120.4516	GEN509403 1-PIRKEY GENERATION
1	10G	G07_051	TO->FROM	EL RENO - ROMAN NOSE 138KV CKT 1	133	153	0.06411	114.7148	GEN520922 1-SLEEPING 138.00
1	10G	G07_051	TO->FROM	EL RENO - ROMAN NOSE 138KV CKT 1	133	153	0.06411	120.0944	GEN515223 1-MUSKOGEE 4G
1	10G	G07_051	TO->FROM	EL RENO - ROMAN NOSE 138KV CKT 1	133	153	0.06411	114.5659	GEN515790 1-FPLWVD2
1	10G	G07_051	TO->FROM	EL RENO - ROMAN NOSE 138KV CKT 1	133	153	0.06411	115.4783	GEN515397 1-OUSPRT 1 34.500
1	10G	G07_051	TO->FROM	EL RENO - ROMAN NOSE 138KV CKT 1	133	153	0.06411	120.1247	GEN515225 1-MUSKOGEE 5G
1	10G	G07_051	TO->FROM	EL RENO - ROMAN NOSE 138KV CKT 1	133	153	0.06411	115.1337	GEN515364 1-CENT 11 0.6000
1	10G	G07_051	TO->FROM	EL RENO - ROMAN NOSE 138KV CKT 1	133	153	0.06411	114.9165	GEN523971 1-HARRINGTON GEN #1 24 KV
1	10G	G07_051	TO->FROM	EL RENO - ROMAN NOSE 138KV CKT 1	133	153	0.06411	121.4429	GEN337911 1-ARKANSAS NUCLEAR ONE UNIT #2
1	10G	G07_051	TO->FROM	EL RENO - ROMAN NOSE 138KV CKT 1	133	153	0.06411	104.1375	GEN560152 1-G06-46 0.6000
1	10G	G07_051	TO->FROM	EL RENO - ROMAN NOSE 138KV CKT 1	133	153	0.06411	120.2853	GEN337652 1-WHITE BLUFF UNIT #1
1	10G	G07_051	TO->FROM	EL RENO - ROMAN NOSE 138KV CKT 1	133	153	0.06411	120.0456	GEN338146 1-INDEPENDENCE UNIT #2
1	10G	G07_051	TO->FROM	EL RENO - ROMAN NOSE 138KV CKT 1	133	153	0.06411	115.1864	GEN531447 1-HOLCOMB GENERATOR
1	10G	G07_051	TO->FROM	EL RENO - ROMAN NOSE 138KV CKT 1	133	153	0.06411	120.8183	GEN337910 1-ARKANSAS NUCLEAR ONE UNIT #1
1	10G	G07_051	TO->FROM	EL RENO - ROMAN NOSE 138KV CKT 1	133	153	0.06411	120.2956	GEN337653 1-WHITE BLUFF UNIT #2
1	10G	G07_051	TO->FROM	EL RENO - ROMAN NOSE 138KV CKT 1	133	153	0.06411	113.3862	GEN560182 1-G07-50 0.6000
1	10G	G07_051	TO->FROM	EL RENO - ROMAN NOSE 138KV CKT 1	133	153	0.06411	135.2682	BASE CASE
1	10G	G07_051	TO->FROM	EL RENO - ROMAN NOSE 138KV CKT 1	133	153	0.06411	111.4377	GEN560183 1-G07-51 0.6000
1	10G	G07_051	TO->FROM	EL RENO - ROMAN NOSE 138KV CKT 1	133	153	0.06411	120.114	GEN515226 1-MUSKOGEE 6G
1	10G	G07_051	TO->FROM	EL RENO - ROMAN NOSE 138KV CKT 1	133	153	0.06274	115.6882	EL RENO - JENSEN TAP 138KV CKT 1
1	10G	G07_051	TO->FROM	EL RENO - ROMAN NOSE 138KV CKT 1	133	153	0.06211	115.4014	CIMARRON - JENSEN TAP 138KV CKT 1
1	10G	G07_051	TO->FROM	EL RENO - ROMAN NOSE 138KV CKT 1	133	153	0.05917	111.6477	CIMARRON - EL RENO 138KV CKT 1
1	10G	G07_051	FROM->TO	OKEENE - WATONGA SW 69KV CKT 1	48	48	0.03808	105.7218	OGE3TERM9
1	10G	G07_051	TO->FROM	EL RENO - ROMAN NOSE 138KV CKT 1	133	153	0.03034	125.2047	DEWEY - TALOGA 138KV CKT 1

Appendix H

Group Dispatch Scenario	SEASON	SOURCE	DIRECTION	MONTCOMMONNAME	RATEA	RATEB	TDF	LOADING%	CONTNAME
2	10G	G07_057	FROM->TO	ELK CITY 230KV (ELKCTY-6) 230/138/13.8KV TRANSFORMER CKT 1	287	287	0.13314	112.4501	PP-001
2	10G	G07_057	FROM->TO	ELK CITY 230KV (ELKCTY-6) 230/138/13.8KV TRANSFORMER CKT 1	287	287	0.13314	110.6381	PP-001
5	10G	G07_057	FROM->TO	ELK CITY 230KV (ELKCTY-6) 230/138/13.8KV TRANSFORMER CKT 1	287	287	0.13314	111.8999	PP-001
5	10G	G07_057	FROM->TO	ELK CITY 230KV (ELKCTY-6) 230/138/13.8KV TRANSFORMER CKT 1	287	287	0.13314	110.1414	PP-001
5	10G	G07_057	FROM->TO	ELK CITY 230KV (ELKCTY-6) 230/138/13.8KV TRANSFORMER CKT 1	287	287	0.1329	109.0949	PP-001
5	10G	G07_057	FROM->TO	ELK CITY 230KV (ELKCTY-6) 230/138/13.8KV TRANSFORMER CKT 1	287	287	0.1329	110.8034	PP-001
2	10G	G07_057	FROM->TO	ELK CITY 230KV (ELKCTY-6) 230/138/13.8KV TRANSFORMER CKT 1	287	287	0.13288	112.7523	PP-001
2	10G	G07_057	FROM->TO	ELK CITY 230KV (ELKCTY-6) 230/138/13.8KV TRANSFORMER CKT 1	287	287	0.13288	110.9247	PP-001
5	10G	G07_057	FROM->TO	ELK CITY 230KV (ELKCTY-6) 230/138/13.8KV TRANSFORMER CKT 1	287	287	0.10724	102.5299	POTTER COUNTY INTERCHANGE (WAUK 90343-A) 345/230/13.2KV TRANSFORMER CKT 1
5	10G	G07_057	FROM->TO	ELK CITY 230KV (ELKCTY-6) 230/138/13.8KV TRANSFORMER CKT 1	287	287	0.10724	106.6511	G05-17T 345.00 - Hitchland Interchange 345KV CKT 1
5	10G	G07_057	FROM->TO	ELK CITY 230KV (ELKCTY-6) 230/138/13.8KV TRANSFORMER CKT 1	287	287	0.10724	102.4632	G05-17T 345.00 - POTTER COUNTY INTERCHANGE 345KV CKT 1
5	10G	G07_057	FROM->TO	ELK CITY 230KV (ELKCTY-6) 230/138/13.8KV TRANSFORMER CKT 1	287	287	0.10724	103.9259	POTTER COUNTY INTERCHANGE (WAUK 90343-A) 345/230/13.2KV TRANSFORMER CKT 1
5	10G	G07_057	FROM->TO	ELK CITY 230KV (ELKCTY-6) 230/138/13.8KV TRANSFORMER CKT 1	287	287	0.10724	105.1352	G05-17T 345.00 - Hitchland Interchange 345KV CKT 1
5	10G	G07_057	FROM->TO	ELK CITY 230KV (ELKCTY-6) 230/138/13.8KV TRANSFORMER CKT 1	287	287	0.10724	103.8569	G05-17T 345.00 - POTTER COUNTY INTERCHANGE 345KV CKT 1
5	10G	G07_057	FROM->TO	ELK CITY 230KV (ELKCTY-6) 230/138/13.8KV TRANSFORMER CKT 1	287	287	0.10665	114.1123	LAWTON EASTSIDE - OKLAUNION 345KV CKT 1
5	10G	G07_057	FROM->TO	ELK CITY 230KV (ELKCTY-6) 230/138/13.8KV TRANSFORMER CKT 1	287	287	0.10665	112.2883	LAWTON EASTSIDE - OKLAUNION 345KV CKT 1
5	10G	G07_057	FROM->TO	ELK CITY 230KV (ELKCTY-6) 230/138/13.8KV TRANSFORMER CKT 1	287	287	0.10665	105.262	G05-15T 345.00 - OKLAUNION 345KV CKT 1
5	10G	G07_057	FROM->TO	ELK CITY 230KV (ELKCTY-6) 230/138/13.8KV TRANSFORMER CKT 1	287	287	0.10665	102.82	G05-15T 345.00 - TUCO INTERCHANGE 345KV CKT 1
5	10G	G07_057	FROM->TO	ELK CITY 230KV (ELKCTY-6) 230/138/13.8KV TRANSFORMER CKT 1	287	287	0.10665	103.8508	G05-15T 345.00 - OKLAUNION 345KV CKT 1
5	10G	G07_057	FROM->TO	ELK CITY 230KV (ELKCTY-6) 230/138/13.8KV TRANSFORMER CKT 1	287	287	0.10665	101.4979	G05-15T 345.00 - TUCO INTERCHANGE 345KV CKT 1
2	10G	G07_057	FROM->TO	ELK CITY 230KV (ELKCTY-6) 230/138/13.8KV TRANSFORMER CKT 1	287	287	0.10664	100.3767	LAWTON EASTSIDE - OKLAUNION 345KV CKT 1
2	10G	G07_057	FROM->TO	ELK CITY 230KV (ELKCTY-6) 230/138/13.8KV TRANSFORMER CKT 1	287	287	0.10664	101.5926	LAWTON EASTSIDE - OKLAUNION 345KV CKT 1
5	10G	G07_057	FROM->TO	ELK CITY 230KV (ELKCTY-6) 230/138/13.8KV TRANSFORMER CKT 1	287	287	0.10351	108.6027	LAWTON EASTSIDE - OKLAUNION 345KV CKT 1
5	10G	G07_057	FROM->TO	ELK CITY 230KV (ELKCTY-6) 230/138/13.8KV TRANSFORMER CKT 1	287	287	0.10351	110.2283	LAWTON EASTSIDE - OKLAUNION 345KV CKT 1
5	10G	G07_057	FROM->TO	ELK CITY 230KV (ELKCTY-6) 230/138/13.8KV TRANSFORMER CKT 1	287	287	0.10351	101.8244	G05-15T 345.00 - OKLAUNION 345KV CKT 1
5	10G	G07_057	FROM->TO	ELK CITY 230KV (ELKCTY-6) 230/138/13.8KV TRANSFORMER CKT 1	287	287	0.10351	100.5529	G05-15T 345.00 - OKLAUNION 345KV CKT 1
5	10G	G07_057	TO->FROM	DEAF SMITH COUNTY INTERCHANGE - G06-39T 230.00 230KV CKT	319	351	0.08645	102.5639	GEN525561 1-TOLK GEN #1 24 KV
5	10G	G07_057	TO->FROM	DEAF SMITH COUNTY INTERCHANGE - G06-39T 230.00 230KV CKT	319	351	0.08645	104.7025	GEN525562 1-TOLK GEN #2 24 KV
5	10G	G07_057	TO->FROM	DEAF SMITH COUNTY INTERCHANGE - G06-39T 230.00 230KV CKT	319	351	0.08542	104.1986	GEN525562 1-TOLK GEN #2 24 KV
5	10G	G07_057	TO->FROM	DEAF SMITH COUNTY INTERCHANGE - G06-39T 230.00 230KV CKT	319	351	0.08542	101.7073	GEN525561 1-TOLK GEN #1 24 KV
5	10G	G07_057	TO->FROM	FPL SWITCH - WOODWARD 138KV CKT 1	133	153	0.05289	107.8422	PP-002
2	10G	G07_057	TO->FROM	FPL SWITCH - WOODWARD 138KV CKT 1	133	153	0.05287	132.2336	PP-002
5	10G	G07_057	TO->FROM	FPL SWITCH - WOODWARD 138KV CKT 1	133	153	0.05206	106.1716	PP-002
2	10G	G07_057	TO->FROM	FPL SWITCH - WOODWARD 138KV CKT 1	133	153	0.05204	131.6566	PP-002
6	10G	G07_057	TO->FROM	FPL SWITCH - WOODWARD 138KV CKT 1	133	153	0.04887	112.5493	NORTHWEST - TATONGA EHV 345.00 345KV CKT 1
4	10G	G07_057	TO->FROM	FPL SWITCH - WOODWARD 138KV CKT 1	133	153	0.04879	110.2918	NORTHWEST - TATONGA EHV 345.00 345KV CKT 1
3	10G	G07_057	TO->FROM	FPL SWITCH - WOODWARD 138KV CKT 1	133	153	0.04877	131.1963	NORTHWEST - TATONGA EHV 345.00 345KV CKT 1
3	10G	G07_057	TO->FROM	FPL SWITCH - WOODWARD 138KV CKT 1	133	153	0.04877	118.1452	TATONGA EHV 345.00 - WWRDEHV7 345.00 345KV CKT 1
5	10G	G07_057	TO->FROM	FPL SWITCH - WOODWARD 138KV CKT 1	133	153	0.04875	122.3248	NORTHWEST - TATONGA EHV 345.00 345KV CKT 1
5	10G	G07_057	TO->FROM	FPL SWITCH - WOODWARD 138KV CKT 1	133	153	0.04875	109.3327	TATONGA EHV 345.00 - WWRDEHV7 345.00 345KV CKT 1
2	10G	G07_057	TO->FROM	FPL SWITCH - WOODWARD 138KV CKT 1	133	153	0.04874	151.4358	NORTHWEST - TATONGA EHV 345.00 345KV CKT 1
2	10G	G07_057	TO->FROM	FPL SWITCH - WOODWARD 138KV CKT 1	133	153	0.04874	138.5764	TATONGA EHV 345.00 - WWRDEHV7 345.00 345KV CKT 1
5	10G	G07_057	TO->FROM	FPL SWITCH - WOODWARD 138KV CKT 1	133	153	0.04784	120.5301	NORTHWEST - TATONGA EHV 345.00 345KV CKT 1
5	10G	G07_057	TO->FROM	FPL SWITCH - WOODWARD 138KV CKT 1	133	153	0.04784	107.484	TATONGA EHV 345.00 - WWRDEHV7 345.00 345KV CKT 1
2	10G	G07_057	TO->FROM	FPL SWITCH - WOODWARD 138KV CKT 1	133	153	0.04783	150.9249	NORTHWEST - TATONGA EHV 345.00 345KV CKT 1
2	10G	G07_057	TO->FROM	FPL SWITCH - WOODWARD 138KV CKT 1	133	153	0.04783	138.0116	TATONGA EHV 345.00 - WWRDEHV7 345.00 345KV CKT 1
6	10G	G07_057	TO->FROM	FPL SWITCH - WOODWARD 138KV CKT 1	133	153	0.04661	100.7719	PP-004
3	10G	G07_057	TO->FROM	FPL SWITCH - WOODWARD 138KV CKT 1	133	153	0.0465	117.4055	PP-004
5	10G	G07_057	TO->FROM	FPL SWITCH - WOODWARD 138KV CKT 1	133	153	0.04648	110.271	PP-004
5	10G	G07_057	TO->FROM	FPL SWITCH - WOODWARD 138KV CKT 1	133	153	0.04645	102.9974	SPP-SWPS-03B
2	10G	G07_057	TO->FROM	FPL SWITCH - WOODWARD 138KV CKT 1	133	153	0.04645	139.0566	PP-004
2	10G	G07_057	TO->FROM	FPL SWITCH - WOODWARD 138KV CKT 1	133	153	0.04644	121.8661	SPP-SWPS-03B
3	10G	G07_057	TO->FROM	FPL SWITCH - WOODWARD 138KV CKT 1	133	153	0.04637	109.9407	ELK CITY 230KV (ELKCTY-6) 230/138/13.8KV TRANSFORMER CKT 1
3	10G	G07_057	TO->FROM	FPL SWITCH - WOODWARD 138KV CKT 1	133	153	0.04637	109.9459	BECKHAM CO 230.00 - ELK CITY 230KV 230KV CKT 1
5	10G	G07_057	TO->FROM	FPL SWITCH - WOODWARD 138KV CKT 1	133	153	0.04633	113.4847	BECKHAM CO 230.00 - ELK CITY 230KV 230KV CKT 1
5	10G	G07_057	TO->FROM	FPL SWITCH - WOODWARD 138KV CKT 1	133	153	0.04633	102.4427	GRAPEVINE INTERCHANGE - STATELINE INTERCHANGE 230KV CKT 1

Group Dispatch Scenario	SEASON	SOURCE	DIRECTION	MONTCOMMONNAME	RATEA	RATEB	TDF	LOADING%	CONTNAME
5	10G	G07_057	TO->FROM	FPL SWITCH - WOODWARD 138KV CKT 1	133	153	0.04633	102.4097	BECKHAM CO 230.00 - STATELINE INTERCHANGE 230KV CKT 1
5	10G	G07_057	TO->FROM	FPL SWITCH - WOODWARD 138KV CKT 1	133	153	0.04633	113.4768	ELK CITY 230KV (ELKCTY-6) 230/138/13.8KV TRANSFORMER CKT 1
2	10G	G07_057	TO->FROM	FPL SWITCH - WOODWARD 138KV CKT 1	133	153	0.04631	131.8642	BECKHAM CO 230.00 - ELK CITY 230KV 230KV CKT 1
2	10G	G07_057	TO->FROM	FPL SWITCH - WOODWARD 138KV CKT 1	133	153	0.04631	120.9754	GRAPEVINE INTERCHANGE - STATELINE INTERCHANGE 230KV CKT 1
2	10G	G07_057	TO->FROM	FPL SWITCH - WOODWARD 138KV CKT 1	133	153	0.04631	120.9478	BECKHAM CO 230.00 - STATELINE INTERCHANGE 230KV CKT 1
2	10G	G07_057	TO->FROM	FPL SWITCH - WOODWARD 138KV CKT 1	133	153	0.04631	131.8555	ELK CITY 230KV (ELKCTY-6) 230/138/13.8KV TRANSFORMER CKT 1
5	10G	G07_057	TO->FROM	FPL SWITCH - WOODWARD 138KV CKT 1	133	153	0.046	102.2629	SPP-SWPS-03B
2	10G	G07_057	TO->FROM	FPL SWITCH - WOODWARD 138KV CKT 1	133	153	0.04599	121.5565	SPP-SWPS-03B
5	10G	G07_057	TO->FROM	FPL SWITCH - WOODWARD 138KV CKT 1	133	153	0.04587	101.6593	GRAPEVINE INTERCHANGE - STATELINE INTERCHANGE 230KV CKT 1
5	10G	G07_057	TO->FROM	FPL SWITCH - WOODWARD 138KV CKT 1	133	153	0.04587	101.6188	BECKHAM CO 230.00 - STATELINE INTERCHANGE 230KV CKT 1
5	10G	G07_057	TO->FROM	FPL SWITCH - WOODWARD 138KV CKT 1	133	153	0.04587	112.6557	ELK CITY 230KV (ELKCTY-6) 230/138/13.8KV TRANSFORMER CKT 1
5	10G	G07_057	TO->FROM	FPL SWITCH - WOODWARD 138KV CKT 1	133	153	0.04587	112.6639	BECKHAM CO 230.00 - ELK CITY 230KV 230KV CKT 1
2	10G	G07_057	TO->FROM	FPL SWITCH - WOODWARD 138KV CKT 1	133	153	0.04586	120.6768	BECKHAM CO 230.00 - STATELINE INTERCHANGE 230KV CKT 1
2	10G	G07_057	TO->FROM	FPL SWITCH - WOODWARD 138KV CKT 1	133	153	0.04586	120.7068	GRAPEVINE INTERCHANGE - STATELINE INTERCHANGE 230KV CKT 1
2	10G	G07_057	TO->FROM	FPL SWITCH - WOODWARD 138KV CKT 1	133	153	0.04586	131.4615	ELK CITY 230KV (ELKCTY-6) 230/138/13.8KV TRANSFORMER CKT 1
2	10G	G07_057	TO->FROM	FPL SWITCH - WOODWARD 138KV CKT 1	133	153	0.04586	131.4643	BECKHAM CO 230.00 - ELK CITY 230KV 230KV CKT 1
5	10G	G07_057	TO->FROM	FPL SWITCH - WOODWARD 138KV CKT 1	133	153	0.04562	108.529	PP-004
2	10G	G07_057	TO->FROM	FPL SWITCH - WOODWARD 138KV CKT 1	133	153	0.0456	138.522	PP-004
3	10G	G07_057	TO->FROM	FPL SWITCH - WOODWARD 138KV CKT 1	133	153	0.04409	118.0589	PP-005
5	10G	G07_057	TO->FROM	FPL SWITCH - WOODWARD 138KV CKT 1	133	153	0.04407	104.5751	PP-005
2	10G	G07_057	TO->FROM	FPL SWITCH - WOODWARD 138KV CKT 1	133	153	0.04404	132.677	PP-005
5	10G	G07_057	TO->FROM	FPL SWITCH - WOODWARD 138KV CKT 1	133	153	0.04322	102.8339	PP-005
2	10G	G07_057	TO->FROM	FPL SWITCH - WOODWARD 138KV CKT 1	133	153	0.0432	132.1268	PP-005
2	10G	G07_057	TO->FROM	FPL SWITCH - WOODWARD 138KV CKT 1	133	153	0.03741	116.2812	GRAPEVINE INTERCHANGE - NICHOLS STATION 230KV CKT 1
6	10G	G07_057	TO->FROM	FPL SWITCH - WOODWARD 138KV CKT 1	133	153	0.0372	103.6113	LAWTON EASTSIDE - OKLAUNION 345KV CKT 1
3	10G	G07_057	TO->FROM	FPL SWITCH - WOODWARD 138KV CKT 1	133	153	0.03712	109.0416	LAWTON EASTSIDE - OKLAUNION 345KV CKT 1
5	10G	G07_057	TO->FROM	FPL SWITCH - WOODWARD 138KV CKT 1	133	153	0.03708	106.9611	LAWTON EASTSIDE - OKLAUNION 345KV CKT 1
2	10G	G07_057	TO->FROM	FPL SWITCH - WOODWARD 138KV CKT 1	133	153	0.03707	126.9661	LAWTON EASTSIDE - OKLAUNION 345KV CKT 1
2	10G	G07_057	TO->FROM	FPL SWITCH - WOODWARD 138KV CKT 1	133	153	0.03707	113.8468	G05-15T 345.00 - TUCO INTERCHANGE 345KV CKT 1
2	10G	G07_057	TO->FROM	FPL SWITCH - WOODWARD 138KV CKT 1	133	153	0.03707	116.7903	G05-15T 345.00 - OKLAUNION 345KV CKT 1
2	10G	G07_057	TO->FROM	FPL SWITCH - WOODWARD 138KV CKT 1	133	153	0.03675	115.7736	GRAPEVINE INTERCHANGE - NICHOLS STATION 230KV CKT 1
5	10G	G07_057	TO->FROM	FPL SWITCH - WOODWARD 138KV CKT 1	133	153	0.03629	105.3803	LAWTON EASTSIDE - OKLAUNION 345KV CKT 1
2	10G	G07_057	TO->FROM	FPL SWITCH - WOODWARD 138KV CKT 1	133	153	0.03628	113.2595	G05-15T 345.00 - TUCO INTERCHANGE 345KV CKT 1
2	10G	G07_057	TO->FROM	FPL SWITCH - WOODWARD 138KV CKT 1	133	153	0.03628	116.1673	G05-15T 345.00 - OKLAUNION 345KV CKT 1
2	10G	G07_057	TO->FROM	FPL SWITCH - WOODWARD 138KV CKT 1	133	153	0.03628	126.1891	LAWTON EASTSIDE - OKLAUNION 345KV CKT 1
3	10G	G07_057	TO->FROM	FPL SWITCH - WOODWARD 138KV CKT 1	133	153	0.03574	108.502	IODINE - WWWRDEHV4 138.00 138KV CKT 1
3	10G	G07_057	TO->FROM	FPL SWITCH - WOODWARD 138KV CKT 1	133	153	0.03574	107.3417	DEWEY - IODINE 138KV CKT 1
2	10G	G07_057	TO->FROM	FPL SWITCH - WOODWARD 138KV CKT 1	133	153	0.03571	122.5298	DEWEY - IODINE 138KV CKT 1
2	10G	G07_057	TO->FROM	FPL SWITCH - WOODWARD 138KV CKT 1	133	153	0.03571	123.6773	IODINE - WWWRDEHV4 138.00 138KV CKT 1
2	10G	G07_057	TO->FROM	FPL SWITCH - WOODWARD 138KV CKT 1	133	153	0.0348	123.0314	IODINE - WWWRDEHV4 138.00 138KV CKT 1
2	10G	G07_057	TO->FROM	FPL SWITCH - WOODWARD 138KV CKT 1	133	153	0.0348	121.8739	DEWEY - IODINE 138KV CKT 1
20	14WP	G07_057	FROM->TO	EAST PLANT INTERCHANGE - MANHATTAN SUB 115KV CKT 1	120	154	0.03377	101.2919	EAST PLANT INTERCHANGE - PIERCE STREET TAP 115KV CKT 1
6	10G	G07_057	TO->FROM	FPL SWITCH - WOODWARD 138KV CKT 1	133	153	0.03325	100.1109	WOODWARD (WOODWRD2) 138/69/13.2KV TRANSFORMER CKT 1
5	10G	G07_057	TO->FROM	FPL SWITCH - WOODWARD 138KV CKT 1	133	153	0.03318	105.493	WOODWARD (WOODWRD2) 138/69/13.2KV TRANSFORMER CKT 1
3	10G	G07_057	TO->FROM	FPL SWITCH - WOODWARD 138KV CKT 1	133	153	0.03318	103.0948	WOODWARD - WOODWARD 69KV CKT 1

Group Dispatch Scenario	SEASON	SOURCE	DIRECTION	MONTCOMMONNAME	RATEA	RATEB	TDF	LOADING%	CONTNAME
3	10G	G07_057	TO->FROM	FPL SWITCH - WOODWARD 138KV CKT 1	133	153	0.03318	116.1487	WOODWARD (WOODWRD2) 138/69/13.2KV TRANSFORMER CKT 1
2	10G	G07_057	TO->FROM	FPL SWITCH - WOODWARD 138KV CKT 1	133	153	0.03317	108.3936	COMANCH5 345.00 - WWRDEHV7 345.00 345KV CKT 1
2	10G	G07_057	TO->FROM	FPL SWITCH - WOODWARD 138KV CKT 1	133	153	0.03317	108.3936	COMANCH5 345.00 - WWRDEHV7 345.00 345KV CKT 2
2	10G	G07_057	TO->FROM	FPL SWITCH - WOODWARD 138KV CKT 1	133	153	0.03316	130.3005	WOODWARD (WOODWRD2) 138/69/13.2KV TRANSFORMER CKT 1
2	10G	G07_057	TO->FROM	FPL SWITCH - WOODWARD 138KV CKT 1	133	153	0.03316	117.2225	WOODWARD - WOODWARD 69KV CKT 1
2	10G	G07_057	TO->FROM	FPL SWITCH - WOODWARD 138KV CKT 1	133	153	0.03261	109.3439	FINNEY SWITCHING STATION - STEVENS CO 345.00 345KV CKT 1
2	10G	G07_057	TO->FROM	FPL SWITCH - WOODWARD 138KV CKT 1	133	153	0.03244	109.7732	MED-LDG5 345.00 - WICHITA 345KV CKT 2
2	10G	G07_057	TO->FROM	FPL SWITCH - WOODWARD 138KV CKT 1	133	153	0.03244	109.7732	MED-LDG5 345.00 - WICHITA 345KV CKT 1
2	10G	G07_057	TO->FROM	FPL SWITCH - WOODWARD 138KV CKT 1	133	153	0.03236	107.8209	COMANCH5 345.00 - WWRDEHV7 345.00 345KV CKT 1
2	10G	G07_057	TO->FROM	FPL SWITCH - WOODWARD 138KV CKT 1	133	153	0.03236	107.8209	COMANCH5 345.00 - WWRDEHV7 345.00 345KV CKT 2
5	10G	G07_057	TO->FROM	FPL SWITCH - WOODWARD 138KV CKT 1	133	153	0.03227	103.6646	WOODWARD (WOODWRD2) 138/69/13.2KV TRANSFORMER CKT 1
2	10G	G07_057	TO->FROM	FPL SWITCH - WOODWARD 138KV CKT 1	133	153	0.03226	129.6591	WOODWARD (WOODWRD2) 138/69/13.2KV TRANSFORMER CKT 1
2	10G	G07_057	TO->FROM	FPL SWITCH - WOODWARD 138KV CKT 1	133	153	0.03226	116.5829	WOODWARD - WOODWARD 69KV CKT 1
1	10G	G07_057	TO->FROM	CLEARWATER - MILAN TAP 138KV CKT 1	110	110	0.03212	107.7224	PP-005
1	10G	G07_057	FROM->TO	HARPER - MILAN TAP 138KV CKT 1	95.6	95.6	0.03212	134.1493	PP-005
3	10G	G07_057	FROM->TO	HARPER - MILAN TAP 138KV CKT 1	95.6	95.6	0.03211	145.745	PP-005
3	10G	G07_057	TO->FROM	CLEARWATER - MILAN TAP 138KV CKT 1	110	110	0.03211	117.847	PP-005
3	10G	G07_057	FROM->TO	CLEARWATER - GILL ENERGY CENTER WEST 138KV CKT 1	110	110	0.03211	107.3164	PP-005
5	10G	G07_057	FROM->TO	HARPER - MILAN TAP 138KV CKT 1	95.6	95.6	0.03208	112.455	PP-005
2	10G	G07_057	FROM->TO	HARPER - MILAN TAP 138KV CKT 1	95.6	95.6	0.03205	133.3466	PP-005
2	10G	G07_057	TO->FROM	CLEARWATER - MILAN TAP 138KV CKT 1	110	110	0.03205	107.0316	PP-005
2	10G	G07_057	TO->FROM	FPL SWITCH - WOODWARD 138KV CKT 1	133	153	0.03194	109.0362	FINNEY SWITCHING STATION - STEVENS CO 345.00 345KV CKT 1
5	10G	G07_057	FROM->TO	HARPER - MILAN TAP 138KV CKT 1	95.6	95.6	0.03189	111.8206	PP-005
2	10G	G07_057	TO->FROM	CLEARWATER - MILAN TAP 138KV CKT 1	110	110	0.03187	106.8548	PP-005
2	10G	G07_057	FROM->TO	HARPER - MILAN TAP 138KV CKT 1	95.6	95.6	0.03187	133.1428	PP-005
2	10G	G07_057	TO->FROM	FPL SWITCH - WOODWARD 138KV CKT 1	133	153	0.03162	109.2019	MED-LDG5 345.00 - WICHITA 345KV CKT 2
2	10G	G07_057	TO->FROM	FPL SWITCH - WOODWARD 138KV CKT 1	133	153	0.03162	109.2019	MED-LDG5 345.00 - WICHITA 345KV CKT 1
2	10G	G07_057	TO->FROM	FPL SWITCH - WOODWARD 138KV CKT 1	133	153	0.03152	108.388	COMANCH5 345.00 - MED-LDG5 345.00 345KV CKT 2
2	10G	G07_057	TO->FROM	FPL SWITCH - WOODWARD 138KV CKT 1	133	153	0.03152	108.388	COMANCH5 345.00 - MED-LDG5 345.00 345KV CKT 1
2	10G	G07_057	TO->FROM	FPL SWITCH - WOODWARD 138KV CKT 1	133	153	0.03125	105.2578	MINGO - RED WILLOW 345KV CKT 1
2	10G	G07_057	TO->FROM	FPL SWITCH - WOODWARD 138KV CKT 1	133	153	0.03101	106.2933	MINGO - SETAB 345KV CKT 1
2	10G	G07_057	TO->FROM	FPL SWITCH - WOODWARD 138KV CKT 1	133	153	0.03096	107.563	KNOLL345 345.00 - SPEARVILLE 345KV CKT 1
2	10G	G07_057	TO->FROM	FPL SWITCH - WOODWARD 138KV CKT 1	133	153	0.03071	107.8172	COMANCH5 345.00 - MED-LDG5 345.00 345KV CKT 2
2	10G	G07_057	TO->FROM	FPL SWITCH - WOODWARD 138KV CKT 1	133	153	0.03071	107.8172	COMANCH5 345.00 - MED-LDG5 345.00 345KV CKT 1
2	10G	G07_057	TO->FROM	FPL SWITCH - WOODWARD 138KV CKT 1	133	153	0.03046	104.6931	MINGO - RED WILLOW 345KV CKT 1
2	10G	G07_057	TO->FROM	FPL SWITCH - WOODWARD 138KV CKT 1	133	153	0.03036	105.1984	AXTELL - KNOLL345 345.00 345KV CKT 1
2	10G	G07_057	TO->FROM	FPL SWITCH - WOODWARD 138KV CKT 1	133	153	0.03021	105.7432	MINGO - SETAB 345KV CKT 1
2	10G	G07_057	TO->FROM	FPL SWITCH - WOODWARD 138KV CKT 1	133	153	0.03015	107.0002	KNOLL345 345.00 - SPEARVILLE 345KV CKT 1
2	10G	G07_057	TO->FROM	FPL SWITCH - WOODWARD 138KV CKT 1	133	153	0.02987	105.7545	FARGO JCT - WOODWARD 69KV CKT 1
2	10G	G07_057	TO->FROM	FPL SWITCH - WOODWARD 138KV CKT 1	133	153	0.02976	105.6361	G07-25T 345.00 - WICHITA 345KV CKT 1
2	10G	G07_057	TO->FROM	FPL SWITCH - WOODWARD 138KV CKT 1	133	153	0.02976	107.3404	G07-25T 345.00 - G08-13T 345.00 345KV CKT 1
2	10G	G07_057	TO->FROM	FPL SWITCH - WOODWARD 138KV CKT 1	133	153	0.02976	109.3337	G08-13T 345.00 - WOODRING 345KV CKT 1
2	10G	G07_057	TO->FROM	FPL SWITCH - WOODWARD 138KV CKT 1	133	153	0.02941	105.5246	GRAND ISLAND - SWEETWATER 345KV CKT 1
2	10G	G07_057	TO->FROM	FPL SWITCH - WOODWARD 138KV CKT 1	133	153	0.02939	105.6677	ELK CITY - FALCON ROAD 138KV CKT 1
2	10G	G07_057	TO->FROM	FPL SWITCH - WOODWARD 138KV CKT 1	133	153	0.02939	105.8461	CIMARRON - NORTHWEST 345KV CKT 1
2	10G	G07_057	TO->FROM	FPL SWITCH - WOODWARD 138KV CKT 1	133	153	0.02921	105.2973	WRTOD400
3	10G	G07_057	TO->FROM	FPL SWITCH - WOODWARD 138KV CKT 1	133	153	0.02913	104.5285	BASE CASE
3	10G	G07_057	TO->FROM	FPL SWITCH - WOODWARD 138KV CKT 1	133	153	0.02913	103.7955	GEN560183 1-G07-51 0.6000
2	10G	G07_057	TO->FROM	FPL SWITCH - WOODWARD 138KV CKT 1	133	153	0.02911	118.7333	BASE CASE
2	10G	G07_057	TO->FROM	FPL SWITCH - WOODWARD 138KV CKT 1	133	153	0.02911	106.9292	GEN501801 1-DOLET HILLS UNIT1
2	10G	G07_057	TO->FROM	FPL SWITCH - WOODWARD 138KV CKT 1	133	153	0.02911	106.0534	GEN337653 1-WHITE BLUFF UNIT #2
2	10G	G07_057	TO->FROM	FPL SWITCH - WOODWARD 138KV CKT 1	133	153	0.02911	105.7195	GEN512689 1-GRDA1 GSU1 22
2	10G	G07_057	TO->FROM	FPL SWITCH - WOODWARD 138KV CKT 1	133	153	0.02911	105.7033	GEN501813 1-RODEMACHER UNIT 3
2	10G	G07_057	TO->FROM	FPL SWITCH - WOODWARD 138KV CKT 1	133	153	0.02911	107.3299	GEN336153 1-WATERFORD UNIT#3
2	10G	G07_057	TO->FROM	FPL SWITCH - WOODWARD 138KV CKT 1	133	153	0.02911	105.532	GEN338146 1-INDEPENDENCE UNIT #2
2	10G	G07_057	TO->FROM	FPL SWITCH - WOODWARD 138KV CKT 1	133	153	0.02911	106.2269	GEN512688 2-GRDA1 GSU2 22

Group Dispatch Scenario	SEASON	SOURCE	DIRECTION	MONTCOMMONNAME	RATEA	RATEB	TDF	LOADING%	CONTNAME
2	10G	G07_057	TO->FROM	FPL SWITCH - WOODWARD 138KV CKT 1	133	153	0.02911	106.2396	GEN509406 1-WELSH #3
2	10G	G07_057	TO->FROM	FPL SWITCH - WOODWARD 138KV CKT 1	133	153	0.02911	106.2393	GEN509404 1-WELSH #1
2	10G	G07_057	TO->FROM	FPL SWITCH - WOODWARD 138KV CKT 1	133	153	0.02911	106.0456	GEN337652 1-WHITE BLUFF UNIT #1
2	10G	G07_057	TO->FROM	FPL SWITCH - WOODWARD 138KV CKT 1	133	153	0.02911	107.4885	GEN336821 1-GRAND GULF UNIT
2	10G	G07_057	TO->FROM	FPL SWITCH - WOODWARD 138KV CKT 1	133	153	0.02911	105.8033	GEN511841 1-NORTHEASTERN STATION #4
2	10G	G07_057	TO->FROM	FPL SWITCH - WOODWARD 138KV CKT 1	133	153	0.02911	106.868	GEN509403 1-PIRKEY GENERATION
2	10G	G07_057	TO->FROM	FPL SWITCH - WOODWARD 138KV CKT 1	133	153	0.02911	106.8966	GEN337910 1-ARKANSAS NUCLEAR ONE UNIT #1
2	10G	G07_057	TO->FROM	FPL SWITCH - WOODWARD 138KV CKT 1	133	153	0.02911	105.3711	GEN337041 1-GERALD ANDRUS
2	10G	G07_057	TO->FROM	FPL SWITCH - WOODWARD 138KV CKT 1	133	153	0.02911	106.2157	GEN511842 1-RIVERSIDE STATION #1
2	10G	G07_057	TO->FROM	FPL SWITCH - WOODWARD 138KV CKT 1	133	153	0.02911	105.3809	GEN501812 1-RODEMACHER UNIT 2
2	10G	G07_057	TO->FROM	FPL SWITCH - WOODWARD 138KV CKT 1	133	153	0.02911	106.2394	GEN509405 1-WELSH #2
2	10G	G07_057	TO->FROM	FPL SWITCH - WOODWARD 138KV CKT 1	133	153	0.02911	106.2706	GEN511843 1-RIVERSIDE STATION #2
2	10G	G07_057	TO->FROM	FPL SWITCH - WOODWARD 138KV CKT 1	133	153	0.02911	105.8308	GEN511840 1-NORTHEASTERN STATION #3
2	10G	G07_057	TO->FROM	FPL SWITCH - WOODWARD 138KV CKT 1	133	153	0.02911	106.0014	GEN511839 1-NORTHEASTERN STATION #2
2	10G	G07_057	TO->FROM	FPL SWITCH - WOODWARD 138KV CKT 1	133	153	0.02911	106.777	GEN335831 1-RIVERBEND UNIT#1
2	10G	G07_057	TO->FROM	FPL SWITCH - WOODWARD 138KV CKT 1	133	153	0.02911	107.6139	GEN337911 1-ARKANSAS NUCLEAR ONE UNIT #2
2	10G	G07_057	TO->FROM	FPL SWITCH - WOODWARD 138KV CKT 1	133	153	0.02911	108.1232	GEN511848 1-SOUTHWESTERN STATION #3
2	10G	G07_057	TO->FROM	FPL SWITCH - WOODWARD 138KV CKT 1	133	153	0.02911	105.8264	GEN509394 1-FLINT CREEK
2	10G	G07_057	TO->FROM	FPL SWITCH - WOODWARD 138KV CKT 1	133	153	0.02911	100.0742	GEN532652 1-JEFFREY ENERGY CENTER UNIT 2
2	10G	G07_057	TO->FROM	FPL SWITCH - WOODWARD 138KV CKT 1	133	153	0.02911	106.9845	GEN520922 1-SLEEPING 138.00
2	10G	G07_057	TO->FROM	FPL SWITCH - WOODWARD 138KV CKT 1	133	153	0.02911	105.6877	GEN560152 1-G06-46 0.6000
2	10G	G07_057	TO->FROM	FPL SWITCH - WOODWARD 138KV CKT 1	133	153	0.02911	106.7619	GEN515226 1-MUSKOGEE 6G
2	10G	G07_057	TO->FROM	FPL SWITCH - WOODWARD 138KV CKT 1	133	153	0.02911	100.0649	GEN532651 1-JEFFREY ENERGY CENTER UNIT 1
2	10G	G07_057	TO->FROM	FPL SWITCH - WOODWARD 138KV CKT 1	133	153	0.02911	106.7773	GEN515225 1-MUSKOGEE 5G
2	10G	G07_057	TO->FROM	FPL SWITCH - WOODWARD 138KV CKT 1	133	153	0.02911	100.5353	GEN560045 1-G05-17-1 34.500
2	10G	G07_057	TO->FROM	FPL SWITCH - WOODWARD 138KV CKT 1	133	153	0.02911	100.3352	GEN560065 1-G06-49-1 0.6000
2	10G	G07_057	TO->FROM	FPL SWITCH - WOODWARD 138KV CKT 1	133	153	0.02911	100.108	GEN527903 1-HOBBS PLANT #3 (ST)
2	10G	G07_057	TO->FROM	FPL SWITCH - WOODWARD 138KV CKT 1	133	153	0.02911	108.7793	GEN515790 1-FPLWND2
2	10G	G07_057	TO->FROM	FPL SWITCH - WOODWARD 138KV CKT 1	133	153	0.02911	108.238	GEN514806 1-SOONER UNIT 2
2	10G	G07_057	TO->FROM	FPL SWITCH - WOODWARD 138KV CKT 1	133	153	0.02911	100.2116	GEN539670 4-JUDSON LARGE GENERATOR
2	10G	G07_057	TO->FROM	FPL SWITCH - WOODWARD 138KV CKT 1	133	153	0.02911	106.7343	GEN515223 1-MUSKOGEE 4G
2	10G	G07_057	TO->FROM	FPL SWITCH - WOODWARD 138KV CKT 1	133	153	0.02911	100.889	GEN527163 1-MUSTANG GEN #3 22 KV
2	10G	G07_057	TO->FROM	FPL SWITCH - WOODWARD 138KV CKT 1	133	153	0.02911	100.0739	GEN532653 1-JEFFREY ENERGY CENTER UNIT 3
2	10G	G07_057	TO->FROM	FPL SWITCH - WOODWARD 138KV CKT 1	133	153	0.02911	101.0258	GEN527164 1-MUSTANG GEN #4 22 KV
2	10G	G07_057	TO->FROM	FPL SWITCH - WOODWARD 138KV CKT 1	133	153	0.02911	115.9935	GEN560183 1-G07-51 0.6000
2	10G	G07_057	TO->FROM	FPL SWITCH - WOODWARD 138KV CKT 1	133	153	0.02911	100.3116	GEN527882 1-CUNNINGHAM GEN #2 20 KV
2	10G	G07_057	TO->FROM	FPL SWITCH - WOODWARD 138KV CKT 1	133	153	0.02911	100.9736	GEN532751 1-WOLF CREEK GENERATING STATION UNIT 1
2	10G	G07_057	TO->FROM	FPL SWITCH - WOODWARD 138KV CKT 1	133	153	0.02911	100.5353	GEN560049 1-G05-17-3 34.500
2	10G	G07_057	TO->FROM	FPL SWITCH - WOODWARD 138KV CKT 1	133	153	0.02911	101.1998	GEN560035 1-G03-13-1 0.6000
2	10G	G07_057	TO->FROM	FPL SWITCH - WOODWARD 138KV CKT 1	133	153	0.02911	101.1998	GEN560036 1-G03-13-2 0.6000
2	10G	G07_057	TO->FROM	FPL SWITCH - WOODWARD 138KV CKT 1	133	153	0.02911	101.0284	GEN527165 1-Mustang Gen #5
2	10G	G07_057	TO->FROM	FPL SWITCH - WOODWARD 138KV CKT 1	133	153	0.02911	101.0027	GEN527901 1-HOBBS PLANT #1 (CT)
2	10G	G07_057	TO->FROM	FPL SWITCH - WOODWARD 138KV CKT 1	133	153	0.02911	110.8397	GEN514805 1-SOONER UNIT 1
2	10G	G07_057	TO->FROM	FPL SWITCH - WOODWARD 138KV CKT 1	133	153	0.02911	100.7653	GEN560067 1-G06-49-3 0.6000
2	10G	G07_057	TO->FROM	FPL SWITCH - WOODWARD 138KV CKT 1	133	153	0.02911	100.954	GEN542957 1-IATAN UNIT #1
2	10G	G07_057	TO->FROM	FPL SWITCH - WOODWARD 138KV CKT 1	133	153	0.02911	101.0321	GEN527161 1-MUSTANG GEN #1
2	10G	G07_057	TO->FROM	FPL SWITCH - WOODWARD 138KV CKT 1	133	153	0.02911	100.3908	GEN560032 1-G02-06 0.6000
2	10G	G07_057	TO->FROM	FPL SWITCH - WOODWARD 138KV CKT 1	133	153	0.02911	105.1952	GEN521116 1-RHWIND4 138.00
2	10G	G07_057	TO->FROM	FPL SWITCH - WOODWARD 138KV CKT 1	133	153	0.02911	100.1916	GEN560055 1-G06-44-2 0.6000
2	10G	G07_057	TO->FROM	FPL SWITCH - WOODWARD 138KV CKT 1	133	153	0.02911	101.0027	GEN527902 1-HOBBS PLANT #2 (CT)
2	10G	G07_057	TO->FROM	FPL SWITCH - WOODWARD 138KV CKT 1	133	153	0.02911	100.7099	GEN645001 1-FORT CALHOUN 1
2	10G	G07_057	TO->FROM	FPL SWITCH - WOODWARD 138KV CKT 1	133	153	0.02911	101.0321	GEN527162 1-MUSTANG GEN #2
2	10G	G07_057	TO->FROM	FPL SWITCH - WOODWARD 138KV CKT 1	133	153	0.02911	106.5534	GEN520947 1-HUGO1
2	10G	G07_057	TO->FROM	FPL SWITCH - WOODWARD 138KV CKT 1	133	153	0.02911	100.3857	GEN560066 1-G06-49-2 0.6000
2	10G	G07_057	TO->FROM	FPL SWITCH - WOODWARD 138KV CKT 1	133	153	0.02908	105.5927	AMRN_OUTS6
2	10G	G07_057	TO->FROM	FPL SWITCH - WOODWARD 138KV CKT 1	133	153	0.02904	105.1758	FARGO JCT - WOODWARD 69KV CKT 1
5	10G	G07_062	TO->FROM	FPL SWITCH - WOODWARD 138KV CKT 1	133	153	0.11108	106.1716	PP-002
2	10G	G07_062	TO->FROM	FPL SWITCH - WOODWARD 138KV CKT 1	133	153	0.11107	131.6566	PP-002
5	10G	G07_062	TO->FROM	FPL SWITCH - WOODWARD 138KV CKT 1	133	153	0.11057	107.8422	PP-002
2	10G	G07_062	TO->FROM	FPL SWITCH - WOODWARD 138KV CKT 1	133	153	0.11055	132.2336	PP-002
5	10G	G07_062	TO->FROM	FPL SWITCH - WOODWARD 138KV CKT 1	133	153	0.09804	107.484	TATONGA EHV 345.00 - WWRDEHV7 345.00 345KV CKT 1
5	10G	G07_062	TO->FROM	FPL SWITCH - WOODWARD 138KV CKT 1	133	153	0.09804	120.5301	NORTHWEST - TATONGA EHV 345.00 345KV CKT 1

Group Dispatch Scenario	SEASON	SOURCE	DIRECTION	MONTCOMMONNAME	RATEA	RATEB	TDF	LOADING%	CONTNAME
2	10G	G07_062	TO->FROM	FPL SWITCH - WOODWARD 138KV CKT 1	133	153	0.09803	150.9249	NORTHWEST - TATONGA EHV 345.00 345KV CKT 1
2	10G	G07_062	TO->FROM	FPL SWITCH - WOODWARD 138KV CKT 1	133	153	0.09803	138.0116	TATONGA EHV 345.00 - WWRDEHV7 345.00 345KV CKT 1
6	10G	G07_062	TO->FROM	FPL SWITCH - WOODWARD 138KV CKT 1	133	153	0.09747	112.5493	NORTHWEST - TATONGA EHV 345.00 345KV CKT 1
4	10G	G07_062	TO->FROM	FPL SWITCH - WOODWARD 138KV CKT 1	133	153	0.09739	110.2918	NORTHWEST - TATONGA EHV 345.00 345KV CKT 1
3	10G	G07_062	TO->FROM	FPL SWITCH - WOODWARD 138KV CKT 1	133	153	0.09737	118.1452	TATONGA EHV 345.00 - WWRDEHV7 345.00 345KV CKT 1
3	10G	G07_062	TO->FROM	FPL SWITCH - WOODWARD 138KV CKT 1	133	153	0.09737	131.1963	NORTHWEST - TATONGA EHV 345.00 345KV CKT 1
5	10G	G07_062	TO->FROM	FPL SWITCH - WOODWARD 138KV CKT 1	133	153	0.09735	109.3327	TATONGA EHV 345.00 - WWRDEHV7 345.00 345KV CKT 1
5	10G	G07_062	TO->FROM	FPL SWITCH - WOODWARD 138KV CKT 1	133	153	0.09735	122.3248	NORTHWEST - TATONGA EHV 345.00 345KV CKT 1
2	10G	G07_062	TO->FROM	FPL SWITCH - WOODWARD 138KV CKT 1	133	153	0.09733	151.4358	NORTHWEST - TATONGA EHV 345.00 345KV CKT 1
2	10G	G07_062	TO->FROM	FPL SWITCH - WOODWARD 138KV CKT 1	133	153	0.09733	138.5764	TATONGA EHV 345.00 - WWRDEHV7 345.00 345KV CKT 1
5	10G	G07_062	TO->FROM	FPL SWITCH - WOODWARD 138KV CKT 1	133	153	0.09022	108.529	PP-004
2	10G	G07_062	TO->FROM	FPL SWITCH - WOODWARD 138KV CKT 1	133	153	0.09019	138.522	PP-004
6	10G	G07_062	TO->FROM	FPL SWITCH - WOODWARD 138KV CKT 1	133	153	0.08975	100.7719	PP-004
3	10G	G07_062	TO->FROM	FPL SWITCH - WOODWARD 138KV CKT 1	133	153	0.08965	117.4055	PP-004
5	10G	G07_062	TO->FROM	FPL SWITCH - WOODWARD 138KV CKT 1	133	153	0.08962	110.271	PP-004
2	10G	G07_062	TO->FROM	FPL SWITCH - WOODWARD 138KV CKT 1	133	153	0.08959	139.0566	PP-004
5	10G	G07_062	TO->FROM	FPL SWITCH - WOODWARD 138KV CKT 1	133	153	0.0868	102.8339	PP-005
2	10G	G07_062	TO->FROM	FPL SWITCH - WOODWARD 138KV CKT 1	133	153	0.08678	132.1268	PP-005
3	10G	G07_062	TO->FROM	FPL SWITCH - WOODWARD 138KV CKT 1	133	153	0.08624	118.0589	PP-005
5	10G	G07_062	TO->FROM	FPL SWITCH - WOODWARD 138KV CKT 1	133	153	0.08621	104.5751	PP-005
2	10G	G07_062	TO->FROM	FPL SWITCH - WOODWARD 138KV CKT 1	133	153	0.08619	132.677	PP-005
2	10G	G07_062	TO->FROM	FPL SWITCH - WOODWARD 138KV CKT 1	133	153	0.07985	123.0314	IODINE - WWRDEHV4 138.00 138KV CKT 1
2	10G	G07_062	TO->FROM	FPL SWITCH - WOODWARD 138KV CKT 1	133	153	0.07985	121.8739	DEWEY - IODINE 138KV CKT 1
3	10G	G07_062	TO->FROM	FPL SWITCH - WOODWARD 138KV CKT 1	133	153	0.07934	107.3417	DEWEY - IODINE 138KV CKT 1
3	10G	G07_062	TO->FROM	FPL SWITCH - WOODWARD 138KV CKT 1	133	153	0.07934	108.502	IODINE - WWRDEHV4 138.00 138KV CKT 1
2	10G	G07_062	TO->FROM	FPL SWITCH - WOODWARD 138KV CKT 1	133	153	0.07931	122.5298	DEWEY - IODINE 138KV CKT 1
2	10G	G07_062	TO->FROM	FPL SWITCH - WOODWARD 138KV CKT 1	133	153	0.07931	123.6773	IODINE - WWRDEHV4 138.00 138KV CKT 1
5	10G	G07_062	TO->FROM	FPL SWITCH - WOODWARD 138KV CKT 1	133	153	0.07649	103.6646	WOODWARD (WOODWRD2) 138/69/13.2KV TRANSFORMER CKT 1
2	10G	G07_062	TO->FROM	FPL SWITCH - WOODWARD 138KV CKT 1	133	153	0.07648	129.6591	WOODWARD (WOODWRD2) 138/69/13.2KV TRANSFORMER CKT 1
2	10G	G07_062	TO->FROM	FPL SWITCH - WOODWARD 138KV CKT 1	133	153	0.07648	116.5829	WOODWARD - WOODWARD 69KV CKT 1
6	10G	G07_062	TO->FROM	FPL SWITCH - WOODWARD 138KV CKT 1	133	153	0.07604	100.1109	WOODWARD (WOODWRD2) 138/69/13.2KV TRANSFORMER CKT 1
5	10G	G07_062	TO->FROM	FPL SWITCH - WOODWARD 138KV CKT 1	133	153	0.07597	105.493	WOODWARD (WOODWRD2) 138/69/13.2KV TRANSFORMER CKT 1
3	10G	G07_062	TO->FROM	FPL SWITCH - WOODWARD 138KV CKT 1	133	153	0.07597	103.0948	WOODWARD - WOODWARD 69KV CKT 1
3	10G	G07_062	TO->FROM	FPL SWITCH - WOODWARD 138KV CKT 1	133	153	0.07597	116.1487	WOODWARD (WOODWRD2) 138/69/13.2KV TRANSFORMER CKT 1
2	10G	G07_062	TO->FROM	FPL SWITCH - WOODWARD 138KV CKT 1	133	153	0.07595	117.2225	WOODWARD - WOODWARD 69KV CKT 1
2	10G	G07_062	TO->FROM	FPL SWITCH - WOODWARD 138KV CKT 1	133	153	0.07595	130.3005	WOODWARD (WOODWRD2) 138/69/13.2KV TRANSFORMER CKT 1
2	10G	G07_062	TO->FROM	FPL SWITCH - WOODWARD 138KV CKT 1	133	153	0.07511	107.8209	COMANCH5 345.00 - WWRDEHV7 345.00 345KV CKT 2
2	10G	G07_062	TO->FROM	FPL SWITCH - WOODWARD 138KV CKT 1	133	153	0.07511	107.8209	COMANCH5 345.00 - WWRDEHV7 345.00 345KV CKT 1
2	10G	G07_062	TO->FROM	FPL SWITCH - WOODWARD 138KV CKT 1	133	153	0.07463	108.3936	COMANCH5 345.00 - WWRDEHV7 345.00 345KV CKT 1
2	10G	G07_062	TO->FROM	FPL SWITCH - WOODWARD 138KV CKT 1	133	153	0.07463	108.3936	COMANCH5 345.00 - WWRDEHV7 345.00 345KV CKT 2
2	10G	G07_062	TO->FROM	FPL SWITCH - WOODWARD 138KV CKT 1	133	153	0.07398	100.4631	MIDPT_BUS 7 345.00 - WWRDEHV7 345.00 345KV CKT 1
2	10G	G07_062	TO->FROM	FPL SWITCH - WOODWARD 138KV CKT 1	133	153	0.07315	100.617	MIDPT_BUS 7 345.00 - TUCO INTERCHANGE 345KV CKT 1
2	10G	G07_062	TO->FROM	FPL SWITCH - WOODWARD 138KV CKT 1	133	153	0.07315	101.3058	MIDPT_BUS 7 345.00 - WWRDEHV7 345.00 345KV CKT 1
2	10G	G07_062	TO->FROM	FPL SWITCH - WOODWARD 138KV CKT 1	133	153	0.07194	109.2019	MED-LDG5 345.00 - WICHITA 345KV CKT 2
2	10G	G07_062	TO->FROM	FPL SWITCH - WOODWARD 138KV CKT 1	133	153	0.07194	109.2019	MED-LDG5 345.00 - WICHITA 345KV CKT 1
2	10G	G07_062	TO->FROM	FPL SWITCH - WOODWARD 138KV CKT 1	133	153	0.07145	109.7732	MED-LDG5 345.00 - WICHITA 345KV CKT 2
2	10G	G07_062	TO->FROM	FPL SWITCH - WOODWARD 138KV CKT 1	133	153	0.07145	109.7732	MED-LDG5 345.00 - WICHITA 345KV CKT 1
2	10G	G07_062	TO->FROM	FPL SWITCH - WOODWARD 138KV CKT 1	133	153	0.07083	107.8172	COMANCH5 345.00 - MED-LDG5 345.00 345KV CKT 2
2	10G	G07_062	TO->FROM	FPL SWITCH - WOODWARD 138KV CKT 1	133	153	0.07034	108.388	COMANCH5 345.00 - MED-LDG5 345.00 345KV CKT 2
2	10G	G07_062	TO->FROM	FPL SWITCH - WOODWARD 138KV CKT 1	133	153	0.07034	108.388	COMANCH5 345.00 - MED-LDG5 345.00 345KV CKT 1
5	10G	G07_062	TO->FROM	FPL SWITCH - WOODWARD 138KV CKT 1	133	153	0.07002	105.3803	LAWTON EASTSIDE - OKLAUNION 345KV CKT 1
2	10G	G07_062	TO->FROM	FPL SWITCH - WOODWARD 138KV CKT 1	133	153	0.07001	113.2595	G05-15T 345.00 - TUCO INTERCHANGE 345KV CKT 1
2	10G	G07_062	TO->FROM	FPL SWITCH - WOODWARD 138KV CKT 1	133	153	0.07001	116.1673	G05-15T 345.00 - OKLAUNION 345KV CKT 1
2	10G	G07_062	TO->FROM	FPL SWITCH - WOODWARD 138KV CKT 1	133	153	0.07001	126.1891	LAWTON EASTSIDE - OKLAUNION 345KV CKT 1
6	10G	G07_062	TO->FROM	FPL SWITCH - WOODWARD 138KV CKT 1	133	153	0.06981	103.6113	LAWTON EASTSIDE - OKLAUNION 345KV CKT 1

Group Dispatch Scenario	SEASON	SOURCE	DIRECTION	MONTCOMMONNAME	RATEA	RATEB	TDF	LOADING%	CONTNAME
3	10G	G07_062	TO->FROM	FPL SWITCH - WOODWARD 138KV CKT 1	133	153	0.06972	109.0416	LAWTON EASTSIDE - OKLAUNION 345KV CKT 1
2	10G	G07_062	TO->FROM	FPL SWITCH - WOODWARD 138KV CKT 1	133	153	0.06972	107.0002	KNOLL345 345.00 - SPEARVILLE 345KV CKT 1
5	10G	G07_062	TO->FROM	FPL SWITCH - WOODWARD 138KV CKT 1	133	153	0.06968	106.9611	LAWTON EASTSIDE - OKLAUNION 345KV CKT 1
2	10G	G07_062	TO->FROM	FPL SWITCH - WOODWARD 138KV CKT 1	133	153	0.06967	126.9661	LAWTON EASTSIDE - OKLAUNION 345KV CKT 1
2	10G	G07_062	TO->FROM	FPL SWITCH - WOODWARD 138KV CKT 1	133	153	0.06967	116.7903	G05-15T 345.00 - OKLAUNION 345KV CKT 1
2	10G	G07_062	TO->FROM	FPL SWITCH - WOODWARD 138KV CKT 1	133	153	0.06967	113.8468	G05-15T 345.00 - TUCO INTERCHANGE 345KV CKT 1
2	10G	G07_062	TO->FROM	FPL SWITCH - WOODWARD 138KV CKT 1	133	153	0.06937	105.1758	FARGO JCT - WOODWARD 69KV CKT 1
2	10G	G07_062	TO->FROM	FPL SWITCH - WOODWARD 138KV CKT 1	133	153	0.06931	104.6931	MINGO - RED WILLOW 345KV CKT 1
2	10G	G07_062	TO->FROM	FPL SWITCH - WOODWARD 138KV CKT 1	133	153	0.06923	107.563	KNOLL345 345.00 - SPEARVILLE 345KV CKT 1
2	10G	G07_062	TO->FROM	FPL SWITCH - WOODWARD 138KV CKT 1	133	153	0.06905	105.7432	MINGO - SETAB 345KV CKT 1
2	10G	G07_062	TO->FROM	FPL SWITCH - WOODWARD 138KV CKT 1	133	153	0.06903	105.2674	CIMARRON - NORTHWEST 345KV CKT 1
2	10G	G07_062	TO->FROM	FPL SWITCH - WOODWARD 138KV CKT 1	133	153	0.06902	105.0563	G07-25T 345.00 - WICHITA 345KV CKT 1
2	10G	G07_062	TO->FROM	FPL SWITCH - WOODWARD 138KV CKT 1	133	153	0.06902	106.7537	G07-25T 345.00 - G08-13T 345.00 345KV CKT 1
2	10G	G07_062	TO->FROM	FPL SWITCH - WOODWARD 138KV CKT 1	133	153	0.06902	108.753	G08-13T 345.00 - WOODRING 345KV CKT 1
5	10G	G07_062	TO->FROM	FPL SWITCH - WOODWARD 138KV CKT 1	133	153	0.06892	102.2629	SPP-SWPS-03B
2	10G	G07_062	TO->FROM	FPL SWITCH - WOODWARD 138KV CKT 1	133	153	0.06891	121.5565	SPP-SWPS-03B
5	10G	G07_062	TO->FROM	FPL SWITCH - WOODWARD 138KV CKT 1	133	153	0.06889	112.6639	BECKHAM CO 230.00 - ELK CITY 230KV 230KV CKT 1
5	10G	G07_062	TO->FROM	FPL SWITCH - WOODWARD 138KV CKT 1	133	153	0.06889	101.6593	GRAPEVINE INTERCHANGE - STATELINE INTERCHANGE 230KV CKT 1
5	10G	G07_062	TO->FROM	FPL SWITCH - WOODWARD 138KV CKT 1	133	153	0.06889	112.6557	ELK CITY 230KV (ELKCTY-6) 230/138/13.8KV TRANSFORMER CKT 1
5	10G	G07_062	TO->FROM	FPL SWITCH - WOODWARD 138KV CKT 1	133	153	0.06889	101.6188	BECKHAM CO 230.00 - STATELINE INTERCHANGE 230KV CKT 1
2	10G	G07_062	TO->FROM	FPL SWITCH - WOODWARD 138KV CKT 1	133	153	0.06889	105.7545	FARGO JCT - WOODWARD 69KV CKT 1
2	10G	G07_062	TO->FROM	FPL SWITCH - WOODWARD 138KV CKT 1	133	153	0.06888	131.4615	ELK CITY 230KV (ELKCTY-6) 230/138/13.8KV TRANSFORMER CKT 1
2	10G	G07_062	TO->FROM	FPL SWITCH - WOODWARD 138KV CKT 1	133	153	0.06888	120.6768	BECKHAM CO 230.00 - STATELINE INTERCHANGE 230KV CKT 1
2	10G	G07_062	TO->FROM	FPL SWITCH - WOODWARD 138KV CKT 1	133	153	0.06888	120.7068	GRAPEVINE INTERCHANGE - STATELINE INTERCHANGE 230KV CKT 1
2	10G	G07_062	TO->FROM	FPL SWITCH - WOODWARD 138KV CKT 1	133	153	0.06888	131.4643	BECKHAM CO 230.00 - ELK CITY 230KV 230KV CKT 1
2	10G	G07_062	TO->FROM	FPL SWITCH - WOODWARD 138KV CKT 1	133	153	0.06881	105.2578	MINGO - RED WILLOW 345KV CKT 1
3	10G	G07_062	TO->FROM	FPL SWITCH - WOODWARD 138KV CKT 1	133	153	0.06874	109.9407	ELK CITY 230KV (ELKCTY-6) 230/138/13.8KV TRANSFORMER CKT 1
3	10G	G07_062	TO->FROM	FPL SWITCH - WOODWARD 138KV CKT 1	133	153	0.06874	109.9459	BECKHAM CO 230.00 - ELK CITY 230KV 230KV CKT 1
5	10G	G07_062	TO->FROM	FPL SWITCH - WOODWARD 138KV CKT 1	133	153	0.06873	102.9974	SPP-SWPS-03B
2	10G	G07_062	TO->FROM	FPL SWITCH - WOODWARD 138KV CKT 1	133	153	0.06872	121.8661	SPP-SWPS-03B
2	10G	G07_062	TO->FROM	FPL SWITCH - WOODWARD 138KV CKT 1	133	153	0.0687	109.0362	FINNEY SWITCHING STATION - STEVENS CO 345.00 345KV CKT 1
5	10G	G07_062	TO->FROM	FPL SWITCH - WOODWARD 138KV CKT 1	133	153	0.0687	102.4097	BECKHAM CO 230.00 - STATELINE INTERCHANGE 230KV CKT 1
5	10G	G07_062	TO->FROM	FPL SWITCH - WOODWARD 138KV CKT 1	133	153	0.0687	113.4768	ELK CITY 230KV (ELKCTY-6) 230/138/13.8KV TRANSFORMER CKT 1
5	10G	G07_062	TO->FROM	FPL SWITCH - WOODWARD 138KV CKT 1	133	153	0.0687	113.4847	BECKHAM CO 230.00 - ELK CITY 230KV 230KV CKT 1
5	10G	G07_062	TO->FROM	FPL SWITCH - WOODWARD 138KV CKT 1	133	153	0.0687	102.4427	GRAPEVINE INTERCHANGE - STATELINE INTERCHANGE 230KV CKT 1
2	10G	G07_062	TO->FROM	FPL SWITCH - WOODWARD 138KV CKT 1	133	153	0.06868	131.8555	ELK CITY 230KV (ELKCTY-6) 230/138/13.8KV TRANSFORMER CKT 1
2	10G	G07_062	TO->FROM	FPL SWITCH - WOODWARD 138KV CKT 1	133	153	0.06868	131.8642	BECKHAM CO 230.00 - ELK CITY 230KV 230KV CKT 1
2	10G	G07_062	TO->FROM	FPL SWITCH - WOODWARD 138KV CKT 1	133	153	0.06868	120.9754	GRAPEVINE INTERCHANGE - STATELINE INTERCHANGE 230KV CKT 1
2	10G	G07_062	TO->FROM	FPL SWITCH - WOODWARD 138KV CKT 1	133	153	0.06868	120.9478	BECKHAM CO 230.00 - STATELINE INTERCHANGE 230KV CKT 1
2	10G	G07_062	TO->FROM	FPL SWITCH - WOODWARD 138KV CKT 1	133	153	0.06863	105.1984	AXTELL - KNOLL345 345.00 345KV CKT 1
2	10G	G07_062	TO->FROM	FPL SWITCH - WOODWARD 138KV CKT 1	133	153	0.06855	106.2933	MINGO - SETAB 345KV CKT 1
2	10G	G07_062	TO->FROM	FPL SWITCH - WOODWARD 138KV CKT 1	133	153	0.06853	109.3337	G08-13T 345.00 - WOODRING 345KV CKT 1
2	10G	G07_062	TO->FROM	FPL SWITCH - WOODWARD 138KV CKT 1	133	153	0.06853	105.8461	CIMARRON - NORTHWEST 345KV CKT 1
2	10G	G07_062	TO->FROM	FPL SWITCH - WOODWARD 138KV CKT 1	133	153	0.06853	107.3404	G07-25T 345.00 - G08-13T 345.00 345KV CKT 1
2	10G	G07_062	TO->FROM	FPL SWITCH - WOODWARD 138KV CKT 1	133	153	0.06853	105.6361	G07-25T 345.00 - WICHITA 345KV CKT 1
2	10G	G07_062	TO->FROM	FPL SWITCH - WOODWARD 138KV CKT 1	133	153	0.0684	115.7736	GRAPEVINE INTERCHANGE - NICHOLS STATION 230KV CKT 1
2	10G	G07_062	TO->FROM	FPL SWITCH - WOODWARD 138KV CKT 1	133	153	0.06837	107.3907	DEWEY - TALOGA 138KV CKT 1

Group Dispatch Scenario	SEASON	SOURCE	DIRECTION	MONTCOMMONNAME	RATEA	RATEB	TDF	LOADING%	CONTNAME
2	10G	G07_062	TO->FROM	FPL SWITCH - WOODWARD 138KV CKT 1	133	153	0.06816	109.3439	FINNEY SWITCHING STATION - STEVENS CO 345.00 345KV CKT 1
2	10G	G07_062	TO->FROM	FPL SWITCH - WOODWARD 138KV CKT 1	133	153	0.06807	116.2812	GRAPEVINE INTERCHANGE - NICHOLS STATION 230KV CKT 1
2	10G	G07_062	TO->FROM	FPL SWITCH - WOODWARD 138KV CKT 1	133	153	0.06796	104.9633	GRAND ISLAND - SWEETWATER 345KV CKT 1
2	10G	G07_062	TO->FROM	FPL SWITCH - WOODWARD 138KV CKT 1	133	153	0.06787	108.0076	DEWEY - TALOGA 138KV CKT 1
2	10G	G07_062	TO->FROM	FPL SWITCH - WOODWARD 138KV CKT 1	133	153	0.06782	104.7297	WRTOD400
2	10G	G07_062	TO->FROM	FPL SWITCH - WOODWARD 138KV CKT 1	133	153	0.06777	105.026	AMRN_OUTS6
2	10G	G07_062	TO->FROM	FPL SWITCH - WOODWARD 138KV CKT 1	133	153	0.06769	106.1491	GEN335831 1-RIVERBEND UNIT#1
2	10G	G07_062	TO->FROM	FPL SWITCH - WOODWARD 138KV CKT 1	133	153	0.06769	100.4418	GEN527163 1-MUSTANG GEN #3 22 KV
2	10G	G07_062	TO->FROM	FPL SWITCH - WOODWARD 138KV CKT 1	133	153	0.06769	108.2115	GEN515790 1-FPLWND2
2	10G	G07_062	TO->FROM	FPL SWITCH - WOODWARD 138KV CKT 1	133	153	0.06769	106.6933	GEN336153 1-WATERFORD UNIT#3
2	10G	G07_062	TO->FROM	FPL SWITCH - WOODWARD 138KV CKT 1	133	153	0.06769	105.664	GEN509406 1-WELSH #3
2	10G	G07_062	TO->FROM	FPL SWITCH - WOODWARD 138KV CKT 1	133	153	0.06769	106.2864	GEN509403 1-PIRKEY GENERATION
2	10G	G07_062	TO->FROM	FPL SWITCH - WOODWARD 138KV CKT 1	133	153	0.06769	105.4163	GEN511839 1-NORTHEASTERN STATION #2
2	10G	G07_062	TO->FROM	FPL SWITCH - WOODWARD 138KV CKT 1	133	153	0.06769	105.6637	GEN509404 1-WELSH #1
2	10G	G07_062	TO->FROM	FPL SWITCH - WOODWARD 138KV CKT 1	133	153	0.06769	106.4108	GEN520922 1-SLEEPING 138.00
2	10G	G07_062	TO->FROM	FPL SWITCH - WOODWARD 138KV CKT 1	133	153	0.06769	107.5862	GEN511848 1-SOUTHWESTERN STATION #3
2	10G	G07_062	TO->FROM	FPL SWITCH - WOODWARD 138KV CKT 1	133	153	0.06769	105.6638	GEN509405 1-WELSH #2
2	10G	G07_062	TO->FROM	FPL SWITCH - WOODWARD 138KV CKT 1	133	153	0.06769	105.9899	GEN520947 1-HUGO1
2	10G	G07_062	TO->FROM	FPL SWITCH - WOODWARD 138KV CKT 1	133	153	0.06769	104.6407	GEN521116 1-RHWIND4 138.00
2	10G	G07_062	TO->FROM	FPL SWITCH - WOODWARD 138KV CKT 1	133	153	0.06769	104.9108	GEN338146 1-INDEPENDENCE UNIT #2
2	10G	G07_062	TO->FROM	FPL SWITCH - WOODWARD 138KV CKT 1	133	153	0.06769	105.2174	GEN511841 1-NORTHEASTERN STATION #4
2	10G	G07_062	TO->FROM	FPL SWITCH - WOODWARD 138KV CKT 1	133	153	0.06769	106.1532	GEN515223 1-MUSKOGEE 4G
2	10G	G07_062	TO->FROM	FPL SWITCH - WOODWARD 138KV CKT 1	133	153	0.06769	105.6351	GEN511842 1-RIVERSIDE STATION #1
2	10G	G07_062	TO->FROM	FPL SWITCH - WOODWARD 138KV CKT 1	133	153	0.06769	106.1806	GEN515226 1-MUSKOGEE 6G
2	10G	G07_062	TO->FROM	FPL SWITCH - WOODWARD 138KV CKT 1	133	153	0.06769	106.2806	GEN337910 1-ARKANSAS NUCLEAR ONE UNIT #1
2	10G	G07_062	TO->FROM	FPL SWITCH - WOODWARD 138KV CKT 1	133	153	0.06769	106.3417	GEN501801 1-DOLET HILLS UNIT1
2	10G	G07_062	TO->FROM	FPL SWITCH - WOODWARD 138KV CKT 1	133	153	0.06769	104.7593	GEN337041 1-GERALD ANDRUS
2	10G	G07_062	TO->FROM	FPL SWITCH - WOODWARD 138KV CKT 1	133	153	0.06769	106.8418	GEN336821 1-GRAND GULF UNIT
2	10G	G07_062	TO->FROM	FPL SWITCH - WOODWARD 138KV CKT 1	133	153	0.06769	105.4389	GEN337653 1-WHITE BLUFF UNIT #2
2	10G	G07_062	TO->FROM	FPL SWITCH - WOODWARD 138KV CKT 1	133	153	0.06769	100.577	GEN527161 1-MUSTANG GEN #1
2	10G	G07_062	TO->FROM	FPL SWITCH - WOODWARD 138KV CKT 1	133	153	0.06769	105.1071	GEN501813 1-RODEMACHER UNIT 3
2	10G	G07_062	TO->FROM	FPL SWITCH - WOODWARD 138KV CKT 1	133	153	0.06769	105.2446	GEN511840 1-NORTHEASTERN STATION #3
2	10G	G07_062	TO->FROM	FPL SWITCH - WOODWARD 138KV CKT 1	133	153	0.06769	105.6898	GEN511843 1-RIVERSIDE STATION #2
2	10G	G07_062	TO->FROM	FPL SWITCH - WOODWARD 138KV CKT 1	133	153	0.06769	105.4311	GEN337652 1-WHITE BLUFF UNIT #1
2	10G	G07_062	TO->FROM	FPL SWITCH - WOODWARD 138KV CKT 1	133	153	0.06769	106.9881	GEN337911 1-ARKANSAS NUCLEAR ONE UNIT #2
2	10G	G07_062	TO->FROM	FPL SWITCH - WOODWARD 138KV CKT 1	133	153	0.06769	105.2362	GEN509394 1-FLINT CREEK
2	10G	G07_062	TO->FROM	FPL SWITCH - WOODWARD 138KV CKT 1	133	153	0.06769	100.577	GEN527162 1-MUSTANG GEN #2
2	10G	G07_062	TO->FROM	FPL SWITCH - WOODWARD 138KV CKT 1	133	153	0.06769	104.7885	GEN501812 1-RODEMACHER UNIT 2
2	10G	G07_062	TO->FROM	FPL SWITCH - WOODWARD 138KV CKT 1	133	153	0.06769	105.1355	GEN512689 1-GRDA1 GSU1 22
2	10G	G07_062	TO->FROM	FPL SWITCH - WOODWARD 138KV CKT 1	133	153	0.06769	106.196	GEN515225 1-MUSKOGEE 5G
2	10G	G07_062	TO->FROM	FPL SWITCH - WOODWARD 138KV CKT 1	133	153	0.06769	100.5504	GEN527902 1-HOBBS PLANT #2 (CT)
2	10G	G07_062	TO->FROM	FPL SWITCH - WOODWARD 138KV CKT 1	133	153	0.06769	100.5504	GEN527901 1-HOBBS PLANT #1 (CT)
2	10G	G07_062	TO->FROM	FPL SWITCH - WOODWARD 138KV CKT 1	133	153	0.06769	107.6471	GEN514806 1-SOONER UNIT 2
2	10G	G07_062	TO->FROM	FPL SWITCH - WOODWARD 138KV CKT 1	133	153	0.06769	100.5715	GEN527164 1-MUSTANG GEN #4 22 KV
2	10G	G07_062	TO->FROM	FPL SWITCH - WOODWARD 138KV CKT 1	133	153	0.06769	105.6383	GEN512688 2-GRDA1 GSU2 22
2	10G	G07_062	TO->FROM	FPL SWITCH - WOODWARD 138KV CKT 1	133	153	0.06769	100.574	GEN527165 1-Mustang Gen #5
2	10G	G07_062	TO->FROM	FPL SWITCH - WOODWARD 138KV CKT 1	133	153	0.06769	110.2485	GEN514805 1-SOONER UNIT 1
2	10G	G07_062	TO->FROM	FPL SWITCH - WOODWARD 138KV CKT 1	133	153	0.06769	100.6005	GEN560036 1-G03-13-2 0.6000
2	10G	G07_062	TO->FROM	FPL SWITCH - WOODWARD 138KV CKT 1	133	153	0.06769	100.3224	GEN542957 1-IATAN UNIT #1
2	10G	G07_062	TO->FROM	FPL SWITCH - WOODWARD 138KV CKT 1	133	153	0.06769	100.0881	GEN645001 1-FORT CALHOUN 1
2	10G	G07_062	TO->FROM	FPL SWITCH - WOODWARD 138KV CKT 1	133	153	0.06769	105.12	GEN560152 1-G06-46 0.6000
2	10G	G07_062	TO->FROM	FPL SWITCH - WOODWARD 138KV CKT 1	133	153	0.06769	100.6005	GEN560035 1-G03-13-1 0.6000
2	10G	G07_062	TO->FROM	FPL SWITCH - WOODWARD 138KV CKT 1	133	153	0.06769	100.2899	GEN532751 1-WOLF CREEK GENERATING STATION UNIT 1
2	10G	G07_062	TO->FROM	FPL SWITCH - WOODWARD 138KV CKT 1	133	153	0.06769	100.1575	GEN560067 1-G06-49-3 0.6000
2	10G	G07_062	TO->FROM	FPL SWITCH - WOODWARD 138KV CKT 1	133	153	0.06769	115.4238	GEN560183 1-G07-51 0.6000
2	10G	G07_062	TO->FROM	FPL SWITCH - WOODWARD 138KV CKT 1	133	153	0.06769	118.0828	BASE CASE
2	10G	G07_062	TO->FROM	FPL SWITCH - WOODWARD 138KV CKT 1	133	153	0.06756	100.497	OGE3TERM4
2	10G	G07_062	TO->FROM	FPL SWITCH - WOODWARD 138KV CKT 1	133	153	0.06748	105.5246	GRAND ISLAND - SWEETWATER 345KV CKT 1
2	10G	G07_062	TO->FROM	FPL SWITCH - WOODWARD 138KV CKT 1	133	153	0.06741	100.3692	WEATHERFORD JCT. - WEATHERFORD SOUTHEAST 138KV CKT 1

Group Dispatch Scenario	SEASON	SOURCE	DIRECTION	MONTCOMMONNAME	RATEA	RATEB	TDF	LOADING%	CONTNAME
2	10G	G07_062	TO->FROM	FPL SWITCH - WOODWARD 138KV CKT 1	133	153	0.06739	100.4914	ALVA - KNOBHILL 69KV CKT 1
2	10G	G07_062	TO->FROM	FPL SWITCH - WOODWARD 138KV CKT 1	133	153	0.06735	105.2973	WRTOD400
3	10G	G07_062	TO->FROM	FPL SWITCH - WOODWARD 138KV CKT 1	133	153	0.06724	104.5285	BASE CASE
3	10G	G07_062	TO->FROM	FPL SWITCH - WOODWARD 138KV CKT 1	133	153	0.06724	103.7955	GEN560183 1-G07-51 0.6000
2	10G	G07_062	TO->FROM	FPL SWITCH - WOODWARD 138KV CKT 1	133	153	0.06722	118.7333	BASE CASE
2	10G	G07_062	TO->FROM	FPL SWITCH - WOODWARD 138KV CKT 1	133	153	0.06722	108.1232	GEN511848 1-SOUTHWESTERN STATION #3
2	10G	G07_062	TO->FROM	FPL SWITCH - WOODWARD 138KV CKT 1	133	153	0.06722	106.2394	GEN509405 1-WELSH #2
2	10G	G07_062	TO->FROM	FPL SWITCH - WOODWARD 138KV CKT 1	133	153	0.06722	101.1998	GEN560036 1-G03-13-2 0.6000
2	10G	G07_062	TO->FROM	FPL SWITCH - WOODWARD 138KV CKT 1	133	153	0.06722	100.954	GEN542957 1-IATAN UNIT #1
2	10G	G07_062	TO->FROM	FPL SWITCH - WOODWARD 138KV CKT 1	133	153	0.06722	100.7653	GEN560067 1-G06-49-3 0.6000
2	10G	G07_062	TO->FROM	FPL SWITCH - WOODWARD 138KV CKT 1	133	153	0.06722	105.3711	GEN337041 1-GERALD ANDRUS
2	10G	G07_062	TO->FROM	FPL SWITCH - WOODWARD 138KV CKT 1	133	153	0.06722	108.7793	GEN515790 1-FPLWND2
2	10G	G07_062	TO->FROM	FPL SWITCH - WOODWARD 138KV CKT 1	133	153	0.06722	100.108	GEN527903 1-HOBBS PLANT #3 (ST)
2	10G	G07_062	TO->FROM	FPL SWITCH - WOODWARD 138KV CKT 1	133	153	0.06722	101.0027	GEN527902 1-HOBBS PLANT #2 (CT)
2	10G	G07_062	TO->FROM	FPL SWITCH - WOODWARD 138KV CKT 1	133	153	0.06722	106.2396	GEN509406 1-WELSH #3
2	10G	G07_062	TO->FROM	FPL SWITCH - WOODWARD 138KV CKT 1	133	153	0.06722	106.777	GEN335831 1-RIVERBEND UNIT#1
2	10G	G07_062	TO->FROM	FPL SWITCH - WOODWARD 138KV CKT 1	133	153	0.06722	105.7033	GEN501813 1-RODEMACHER UNIT 3
2	10G	G07_062	TO->FROM	FPL SWITCH - WOODWARD 138KV CKT 1	133	153	0.06722	107.4885	GEN336821 1-GRAND GULF UNIT
2	10G	G07_062	TO->FROM	FPL SWITCH - WOODWARD 138KV CKT 1	133	153	0.06722	101.0284	GEN527165 1-Mustang Gen #5
2	10G	G07_062	TO->FROM	FPL SWITCH - WOODWARD 138KV CKT 1	133	153	0.06722	106.9845	GEN520922 1-SLEEPING 138.00
2	10G	G07_062	TO->FROM	FPL SWITCH - WOODWARD 138KV CKT 1	133	153	0.06722	106.2393	GEN509404 1-WELSH #1
2	10G	G07_062	TO->FROM	FPL SWITCH - WOODWARD 138KV CKT 1	133	153	0.06722	106.868	GEN509403 1-PIRKEY GENERATION
2	10G	G07_062	TO->FROM	FPL SWITCH - WOODWARD 138KV CKT 1	133	153	0.06722	106.8966	GEN337910 1-ARKANSAS NUCLEAR ONE UNIT #1
2	10G	G07_062	TO->FROM	FPL SWITCH - WOODWARD 138KV CKT 1	133	153	0.06722	105.7195	GEN512689 1-GRDA1 GSU1 22
2	10G	G07_062	TO->FROM	FPL SWITCH - WOODWARD 138KV CKT 1	133	153	0.06722	101.1998	GEN560035 1-G03-13-1 0.6000
2	10G	G07_062	TO->FROM	FPL SWITCH - WOODWARD 138KV CKT 1	133	153	0.06722	105.3809	GEN501812 1-RODEMACHER UNIT 2
2	10G	G07_062	TO->FROM	FPL SWITCH - WOODWARD 138KV CKT 1	133	153	0.06722	105.1952	GEN521116 1-RHWIND4 138.00
2	10G	G07_062	TO->FROM	FPL SWITCH - WOODWARD 138KV CKT 1	133	153	0.06722	105.532	GEN338146 1-INDEPENDENCE UNIT #2
2	10G	G07_062	TO->FROM	FPL SWITCH - WOODWARD 138KV CKT 1	133	153	0.06722	100.5353	GEN560049 1-G05-17-3 34.500
2	10G	G07_062	TO->FROM	FPL SWITCH - WOODWARD 138KV CKT 1	133	153	0.06722	106.0534	GEN337653 1-WHITE BLUFF UNIT #2
2	10G	G07_062	TO->FROM	FPL SWITCH - WOODWARD 138KV CKT 1	133	153	0.06722	110.8397	GEN514805 1-SOONER UNIT 1
2	10G	G07_062	TO->FROM	FPL SWITCH - WOODWARD 138KV CKT 1	133	153	0.06722	101.0027	GEN527901 1-HOBBS PLANT #1 (CT)
2	10G	G07_062	TO->FROM	FPL SWITCH - WOODWARD 138KV CKT 1	133	153	0.06722	101.0258	GEN527164 1-MUSTANG GEN #4 22 KV
2	10G	G07_062	TO->FROM	FPL SWITCH - WOODWARD 138KV CKT 1	133	153	0.06722	100.3908	GEN560032 1-G02-06 0.6000
2	10G	G07_062	TO->FROM	FPL SWITCH - WOODWARD 138KV CKT 1	133	153	0.06722	100.889	GEN527163 1-MUSTANG GEN #3 22 KV
2	10G	G07_062	TO->FROM	FPL SWITCH - WOODWARD 138KV CKT 1	133	153	0.06722	106.5534	GEN520947 1-HUGO1
2	10G	G07_062	TO->FROM	FPL SWITCH - WOODWARD 138KV CKT 1	133	153	0.06722	106.0456	GEN337652 1-WHITE BLUFF UNIT #1
2	10G	G07_062	TO->FROM	FPL SWITCH - WOODWARD 138KV CKT 1	133	153	0.06722	105.8264	GEN509394 1-FLINT CREEK
2	10G	G07_062	TO->FROM	FPL SWITCH - WOODWARD 138KV CKT 1	133	153	0.06722	106.2269	GEN512688 2-GRDA1 GSU2 22
2	10G	G07_062	TO->FROM	FPL SWITCH - WOODWARD 138KV CKT 1	133	153	0.06722	106.7343	GEN515223 1-MUSKOGEE 4G
2	10G	G07_062	TO->FROM	FPL SWITCH - WOODWARD 138KV CKT 1	133	153	0.06722	100.0649	GEN532651 1-JEFFREY ENERGY CENTER UNIT 1
2	10G	G07_062	TO->FROM	FPL SWITCH - WOODWARD 138KV CKT 1	133	153	0.06722	105.8308	GEN511840 1-NORTHEASTERN STATION #3
2	10G	G07_062	TO->FROM	FPL SWITCH - WOODWARD 138KV CKT 1	133	153	0.06722	105.6877	GEN560152 1-G06-46 0.6000
2	10G	G07_062	TO->FROM	FPL SWITCH - WOODWARD 138KV CKT 1	133	153	0.06722	107.6139	GEN337911 1-ARKANSAS NUCLEAR ONE UNIT #2
2	10G	G07_062	TO->FROM	FPL SWITCH - WOODWARD 138KV CKT 1	133	153	0.06722	106.7619	GEN515226 1-MUSKOGEE 6G
2	10G	G07_062	TO->FROM	FPL SWITCH - WOODWARD 138KV CKT 1	133	153	0.06722	100.7099	GEN645001 1-FORT CALHOUN 1
2	10G	G07_062	TO->FROM	FPL SWITCH - WOODWARD 138KV CKT 1	133	153	0.06722	100.3857	GEN560066 1-G06-49-2 0.6000
2	10G	G07_062	TO->FROM	FPL SWITCH - WOODWARD 138KV CKT 1	133	153	0.06722	106.9292	GEN501801 1-DOLET HILLS UNIT1
2	10G	G07_062	TO->FROM	FPL SWITCH - WOODWARD 138KV CKT 1	133	153	0.06722	100.0742	GEN532652 1-JEFFREY ENERGY CENTER UNIT 2
2	10G	G07_062	TO->FROM	FPL SWITCH - WOODWARD 138KV CKT 1	133	153	0.06722	105.5927	AMRN_OUTS6
2	10G	G07_062	TO->FROM	FPL SWITCH - WOODWARD 138KV CKT 1	133	153	0.06722	105.8033	GEN511841 1-NORTHEASTERN STATION #4
2	10G	G07_062	TO->FROM	FPL SWITCH - WOODWARD 138KV CKT 1	133	153	0.06722	106.2157	GEN511842 1-RIVERSIDE STATION #1
2	10G	G07_062	TO->FROM	FPL SWITCH - WOODWARD 138KV CKT 1	133	153	0.06722	100.5353	GEN560045 1-G05-17-1 34.500
2	10G	G07_062	TO->FROM	FPL SWITCH - WOODWARD 138KV CKT 1	133	153	0.06722	106.7773	GEN515225 1-MUSKOGEE 5G
2	10G	G07_062	TO->FROM	FPL SWITCH - WOODWARD 138KV CKT 1	133	153	0.06722	101.0321	GEN527161 1-MUSTANG GEN #1
2	10G	G07_062	TO->FROM	FPL SWITCH - WOODWARD 138KV CKT 1	133	153	0.06722	100.0739	GEN532653 1-JEFFREY ENERGY CENTER UNIT 3
2	10G	G07_062	TO->FROM	FPL SWITCH - WOODWARD 138KV CKT 1	133	153	0.06722	100.9736	GEN532751 1-WOLF CREEK GENERATING STATION UNIT 1
2	10G	G07_062	TO->FROM	FPL SWITCH - WOODWARD 138KV CKT 1	133	153	0.06722	107.3299	GEN336153 1-WATERFORD UNIT#3
2	10G	G07_062	TO->FROM	FPL SWITCH - WOODWARD 138KV CKT 1	133	153	0.06722	115.9935	GEN560183 1-G07-51 0.6000
2	10G	G07_062	TO->FROM	FPL SWITCH - WOODWARD 138KV CKT 1	133	153	0.06722	101.0321	GEN527162 1-MUSTANG GEN #2
2	10G	G07_062	TO->FROM	FPL SWITCH - WOODWARD 138KV CKT 1	133	153	0.06722	106.2706	GEN511843 1-RIVERSIDE STATION #2
2	10G	G07_062	TO->FROM	FPL SWITCH - WOODWARD 138KV CKT 1	133	153	0.06722	100.1916	GEN560055 1-G06-44-2 0.6000

Group Dispatch Scenario	SEASON	SOURCE	DIRECTION	MONTCOMMONNAME	RATEA	RATEB	TDF	LOADING%	CONTNAME
2	10G	G07_062	TO->FROM	FPL SWITCH - WOODWARD 138KV CKT 1	133	153	0.06722	100.3352	GEN560065 1-G06-49-1 0.6000
2	10G	G07_062	TO->FROM	FPL SWITCH - WOODWARD 138KV CKT 1	133	153	0.06722	108.238	GEN514806 1-SOONER UNIT 2
2	10G	G07_062	TO->FROM	FPL SWITCH - WOODWARD 138KV CKT 1	133	153	0.06722	106.0014	GEN511839 1-NORTHEASTERN STATION #2
2	10G	G07_062	TO->FROM	FPL SWITCH - WOODWARD 138KV CKT 1	133	153	0.06722	100.2116	GEN539670 4-JUDSON LARGE GENERATOR
2	10G	G07_062	TO->FROM	FPL SWITCH - WOODWARD 138KV CKT 1	133	153	0.06722	100.3116	GEN527882 1-CUNNINGHAM GEN #2 20 KV
2	10G	G07_062	TO->FROM	FPL SWITCH - WOODWARD 138KV CKT 1	133	153	0.06721	105.105	ELK CITY - FALCON ROAD 138KV CKT 1
2	10G	G07_062	TO->FROM	FPL SWITCH - WOODWARD 138KV CKT 1	133	153	0.06709	101.0716	OGE3TERM4
2	10G	G07_062	TO->FROM	FPL SWITCH - WOODWARD 138KV CKT 1	133	153	0.06708	100.2202	LYDIA - VALLIANT 345KV CKT 1
2	10G	G07_062	TO->FROM	FPL SWITCH - WOODWARD 138KV CKT 1	133	153	0.06707	100.311	SPP-AEPW-01
2	10G	G07_062	TO->FROM	FPL SWITCH - WOODWARD 138KV CKT 1	133	153	0.06693	100.9922	WEATHERFORD JCT. - WEATHERFORD SOUTHEAST 138KV CKT 1
2	10G	G07_062	TO->FROM	FPL SWITCH - WOODWARD 138KV CKT 1	133	153	0.06691	101.0671	ALVA - KNOBHILL 69KV CKT 1
2	10G	G07_062	TO->FROM	FPL SWITCH - WOODWARD 138KV CKT 1	133	153	0.06675	105.6677	ELK CITY - FALCON ROAD 138KV CKT 1
2	10G	G07_062	TO->FROM	FPL SWITCH - WOODWARD 138KV CKT 1	133	153	0.06666	100.6564	OKEENE - WATONGA SW 69KV CKT 1
2	10G	G07_062	TO->FROM	FPL SWITCH - WOODWARD 138KV CKT 1	133	153	0.06661	100.8241	LYDIA - VALLIANT 345KV CKT 1
2	10G	G07_062	TO->FROM	FPL SWITCH - WOODWARD 138KV CKT 1	133	153	0.06661	100.914	SPP-AEPW-01
2	10G	G07_062	TO->FROM	FPL SWITCH - WOODWARD 138KV CKT 1	133	153	0.0662	101.2153	OKEENE - WATONGA SW 69KV CKT 1
2	10G	G07_062	TO->FROM	FPL SWITCH - WOODWARD 138KV CKT 1	133	153	0.06587	100.1551	HELENAT2 69.000 - SALINE 69KV CKT 1
2	10G	G07_062	TO->FROM	FPL SWITCH - WOODWARD 138KV CKT 1	133	153	0.0654	100.7181	HELENAT2 69.000 - SALINE 69KV CKT 1
2	10G	G07_062	TO->FROM	FPL SWITCH - WOODWARD 138KV CKT 1	133	153	0.0654	100.3264	KNOBHILL - SALINE 69KV CKT 1
2	10G	G07_062	TO->FROM	FPL SWITCH - WOODWARD 138KV CKT 1	133	153	0.06535	111.6982	WOODRING (WOODRNG2) 345/138/13.8KV TRANSFORMER CKT 1
3	10G	G07_062	TO->FROM	FPL SWITCH - WOODWARD 138KV CKT 1	133	153	0.06489	101.4462	WOODRING (WOODRNG2) 345/138/13.8KV TRANSFORMER CKT 1
2	10G	G07_062	TO->FROM	FPL SWITCH - WOODWARD 138KV CKT 1	133	153	0.06488	112.2775	WOODRING (WOODRNG2) 345/138/13.8KV TRANSFORMER CKT 1
2	10G	G07_062	TO->FROM	FPL SWITCH - WOODWARD 138KV CKT 1	133	153	0.06381	100.1539	DOVER SW - HENESSEY 138KV CKT 1
2	10G	G07_062	TO->FROM	FPL SWITCH - WOODWARD 138KV CKT 1	133	153	0.06334	100.7217	DOVER SW - HENESSEY 138KV CKT 1
1	10G	G07_062	TO->FROM	EL RENO - ROMAN NOSE 138KV CKT 1	133	153	0.04076	133.9436	PP-002
5	10G	G07_062	FROM->TO	HARPER - MILAN TAP 138KV CKT 1	95.6	95.6	0.04016	111.8206	PP-005
2	10G	G07_062	TO->FROM	CLEARWATER - MILAN TAP 138KV CKT 1	110	110	0.04013	106.8548	PP-005
2	10G	G07_062	FROM->TO	HARPER - MILAN TAP 138KV CKT 1	95.6	95.6	0.04013	133.1428	PP-005
1	10G	G07_062	FROM->TO	HARPER - MILAN TAP 138KV CKT 1	95.6	95.6	0.04007	134.1493	PP-005
1	10G	G07_062	TO->FROM	CLEARWATER - MILAN TAP 138KV CKT 1	110	110	0.04007	107.7224	PP-005
3	10G	G07_062	FROM->TO	HARPER - MILAN TAP 138KV CKT 1	95.6	95.6	0.04006	145.745	PP-005
3	10G	G07_062	FROM->TO	CLEARWATER - GILL ENERGY CENTER WEST 138KV CKT 1	110	110	0.04006	107.3164	PP-005
3	10G	G07_062	TO->FROM	CLEARWATER - MILAN TAP 138KV CKT 1	110	110	0.04006	117.847	PP-005
5	10G	G07_062	FROM->TO	HARPER - MILAN TAP 138KV CKT 1	95.6	95.6	0.04003	112.455	PP-005
2	10G	G07_062	FROM->TO	HARPER - MILAN TAP 138KV CKT 1	95.6	95.6	0.04	133.3466	PP-005
2	10G	G07_062	TO->FROM	CLEARWATER - MILAN TAP 138KV CKT 1	110	110	0.04	107.0316	PP-005
1	10G	G07_062	TO->FROM	GLASS MOUNTAIN - MOORELAND 138KV CKT 1	124	124	0.03941	107.029	PP-002
1	10G	G07_062	TO->FROM	EL RENO - ROMAN NOSE 138KV CKT 1	133	153	0.03937	121.3541	TATONGA EHV 345.00 - WWRDEHV7 345.00 345KV CKT 1
1	10G	G07_062	TO->FROM	EL RENO - ROMAN NOSE 138KV CKT 1	133	153	0.03937	143.439	NORTHWEST - TATONGA EHV 345.00 345KV CKT 1
1	10G	G07_062	TO->FROM	EL RENO - ROMAN NOSE 138KV CKT 1	133	153	0.03349	130.2215	PP-004
1	10G	G07_062	TO->FROM	GLASS MOUNTAIN - MOORELAND 138KV CKT 1	124	124	0.03293	108.7186	NORTHWEST - TATONGA EHV 345.00 345KV CKT 1
1	10G	G07_062	TO->FROM	EL RENO - ROMAN NOSE 138KV CKT 1	133	153	0.03228	127.8664	PP-005
2	10G	G07_062	TO->FROM	WOODWARD - WOODWARD 69KV CKT 1	53	65	0.03196	126.1303	FPL SWITCH - MOORELAND 138KV CKT 1
5	10G	G07_062	TO->FROM	WOODWARD - WOODWARD 69KV CKT 1	53	65	0.03196	101.2144	FPL SWITCH - MOORELAND 138KV CKT 1
2	10G	G07_062	TO->FROM	WOODWARD - WOODWARD 69KV CKT 1	53	65	0.03196	117.8007	FPL SWITCH - WOODWARD 138KV CKT 1
1	10G	G07_062	TO->FROM	GLASS MOUNTAIN - MOORELAND 138KV CKT 1	124	124	0.03194	102.6543	PP-004
3	10G	G07_062	TO->FROM	WOODWARD - WOODWARD 69KV CKT 1	53	65	0.03174	112.4729	FPL SWITCH - MOORELAND 138KV CKT 1
5	10G	G07_062	TO->FROM	WOODWARD - WOODWARD 69KV CKT 1	53	65	0.03174	102.9277	FPL SWITCH - MOORELAND 138KV CKT 1
3	10G	G07_062	TO->FROM	WOODWARD - WOODWARD 69KV CKT 1	53	65	0.03174	103.9867	FPL SWITCH - WOODWARD 138KV CKT 1
2	10G	G07_062	TO->FROM	WOODWARD - WOODWARD 69KV CKT 1	53	65	0.03173	118.3787	FPL SWITCH - WOODWARD 138KV CKT 1
2	10G	G07_062	TO->FROM	WOODWARD - WOODWARD 69KV CKT 1	53	65	0.03173	126.7085	FPL SWITCH - MOORELAND 138KV CKT 1
5	10G	G08_003	TO->FROM	FPL SWITCH - WOODWARD 138KV CKT 1	133	153	0.16249	106.1716	PP-002
2	10G	G08_003	TO->FROM	FPL SWITCH - WOODWARD 138KV CKT 1	133	153	0.16248	131.6566	PP-002
5	10G	G08_003	TO->FROM	FPL SWITCH - WOODWARD 138KV CKT 1	133	153	0.16204	107.8422	PP-002
2	10G	G08_003	TO->FROM	FPL SWITCH - WOODWARD 138KV CKT 1	133	153	0.16202	132.2336	PP-002
5	10G	G08_003	TO->FROM	FPL SWITCH - WOODWARD 138KV CKT 1	133	153	0.14945	120.5301	NORTHWEST - TATONGA EHV 345.00 345KV CKT 1
5	10G	G08_003	TO->FROM	FPL SWITCH - WOODWARD 138KV CKT 1	133	153	0.14945	107.484	TATONGA EHV 345.00 - WWRDEHV7 345.00 345KV CKT 1
2	10G	G08_003	TO->FROM	FPL SWITCH - WOODWARD 138KV CKT 1	133	153	0.14944	150.9249	NORTHWEST - TATONGA EHV 345.00 345KV CKT 1

Group Dispatch Scenario	SEASON	SOURCE	DIRECTION	MONTCOMMONNAME	RATEA	RATEB	TDF	LOADING%	CONTNAME
2	10G	G08_003	TO->FROM	FPL SWITCH - WOODWARD 138KV CKT 1	133	153	0.14944	138.0116	TATONGA EHV 345.00 - WWRDEHV7 345.00 345KV CKT 1
6	10G	G08_003	TO->FROM	FPL SWITCH - WOODWARD 138KV CKT 1	133	153	0.14896	112.5493	NORTHWEST - TATONGA EHV 345.00 345KV CKT 1
4	10G	G08_003	TO->FROM	FPL SWITCH - WOODWARD 138KV CKT 1	133	153	0.14888	110.2918	NORTHWEST - TATONGA EHV 345.00 345KV CKT 1
3	10G	G08_003	TO->FROM	FPL SWITCH - WOODWARD 138KV CKT 1	133	153	0.14886	118.1452	TATONGA EHV 345.00 - WWRDEHV7 345.00 345KV CKT 1
3	10G	G08_003	TO->FROM	FPL SWITCH - WOODWARD 138KV CKT 1	133	153	0.14886	131.1963	NORTHWEST - TATONGA EHV 345.00 345KV CKT 1
5	10G	G08_003	TO->FROM	FPL SWITCH - WOODWARD 138KV CKT 1	133	153	0.14884	122.3248	NORTHWEST - TATONGA EHV 345.00 345KV CKT 1
5	10G	G08_003	TO->FROM	FPL SWITCH - WOODWARD 138KV CKT 1	133	153	0.14884	109.3327	TATONGA EHV 345.00 - WWRDEHV7 345.00 345KV CKT 1
2	10G	G08_003	TO->FROM	FPL SWITCH - WOODWARD 138KV CKT 1	133	153	0.14882	138.5764	TATONGA EHV 345.00 - WWRDEHV7 345.00 345KV CKT 1
2	10G	G08_003	TO->FROM	FPL SWITCH - WOODWARD 138KV CKT 1	133	153	0.14882	151.4358	NORTHWEST - TATONGA EHV 345.00 345KV CKT 1
2	10G	G08_003	TO->FROM	FPL SWITCH - WOODWARD 138KV CKT 1	133	153	0.14489	121.8739	DEWEY - IODINE 138KV CKT 1
2	10G	G08_003	TO->FROM	FPL SWITCH - WOODWARD 138KV CKT 1	133	153	0.14489	123.0314	IODINE - WWRDEHV4 138.00 138KV CKT 1
3	10G	G08_003	TO->FROM	FPL SWITCH - WOODWARD 138KV CKT 1	133	153	0.14442	108.502	IODINE - WWRDEHV4 138.00 138KV CKT 1
3	10G	G08_003	TO->FROM	FPL SWITCH - WOODWARD 138KV CKT 1	133	153	0.14442	107.3417	DEWEY - IODINE 138KV CKT 1
2	10G	G08_003	TO->FROM	FPL SWITCH - WOODWARD 138KV CKT 1	133	153	0.1444	122.5298	DEWEY - IODINE 138KV CKT 1
2	10G	G08_003	TO->FROM	FPL SWITCH - WOODWARD 138KV CKT 1	133	153	0.1444	123.6773	IODINE - WWRDEHV4 138.00 138KV CKT 1
5	10G	G08_003	TO->FROM	FPL SWITCH - WOODWARD 138KV CKT 1	133	153	0.14326	108.529	PP-004
2	10G	G08_003	TO->FROM	FPL SWITCH - WOODWARD 138KV CKT 1	133	153	0.14323	138.522	PP-004
6	10G	G08_003	TO->FROM	FPL SWITCH - WOODWARD 138KV CKT 1	133	153	0.14285	100.7719	PP-004
3	10G	G08_003	TO->FROM	FPL SWITCH - WOODWARD 138KV CKT 1	133	153	0.14275	117.4055	PP-004
5	10G	G08_003	TO->FROM	FPL SWITCH - WOODWARD 138KV CKT 1	133	153	0.14272	110.271	PP-004
2	10G	G08_003	TO->FROM	FPL SWITCH - WOODWARD 138KV CKT 1	133	153	0.14269	139.0566	PP-004
5	10G	G08_003	TO->FROM	FPL SWITCH - WOODWARD 138KV CKT 1	133	153	0.14015	102.8339	PP-005
2	10G	G08_003	TO->FROM	FPL SWITCH - WOODWARD 138KV CKT 1	133	153	0.14013	132.1268	PP-005
3	10G	G08_003	TO->FROM	FPL SWITCH - WOODWARD 138KV CKT 1	133	153	0.13966	118.0589	PP-005
5	10G	G08_003	TO->FROM	FPL SWITCH - WOODWARD 138KV CKT 1	133	153	0.13963	104.5751	PP-005
2	10G	G08_003	TO->FROM	FPL SWITCH - WOODWARD 138KV CKT 1	133	153	0.13961	132.677	PP-005
5	10G	G08_003	TO->FROM	FPL SWITCH - WOODWARD 138KV CKT 1	133	153	0.13892	103.6646	WOODWARD (WOODWRD2) 138/69/13.2KV TRANSFORMER CKT 1
2	10G	G08_003	TO->FROM	FPL SWITCH - WOODWARD 138KV CKT 1	133	153	0.13891	129.6591	WOODWARD (WOODWRD2) 138/69/13.2KV TRANSFORMER CKT 1
2	10G	G08_003	TO->FROM	FPL SWITCH - WOODWARD 138KV CKT 1	133	153	0.13891	116.5829	WOODWARD - WOODWARD 69KV CKT 1
6	10G	G08_003	TO->FROM	FPL SWITCH - WOODWARD 138KV CKT 1	133	153	0.13852	100.1109	WOODWARD (WOODWRD2) 138/69/13.2KV TRANSFORMER CKT 1
3	10G	G08_003	TO->FROM	FPL SWITCH - WOODWARD 138KV CKT 1	133	153	0.13845	103.0948	WOODWARD - WOODWARD 69KV CKT 1
3	10G	G08_003	TO->FROM	FPL SWITCH - WOODWARD 138KV CKT 1	133	153	0.13845	116.1487	WOODWARD (WOODWRD2) 138/69/13.2KV TRANSFORMER CKT 1
5	10G	G08_003	TO->FROM	FPL SWITCH - WOODWARD 138KV CKT 1	133	153	0.13845	105.493	WOODWARD (WOODWRD2) 138/69/13.2KV TRANSFORMER CKT 1
2	10G	G08_003	TO->FROM	FPL SWITCH - WOODWARD 138KV CKT 1	133	153	0.13843	130.3005	WOODWARD (WOODWRD2) 138/69/13.2KV TRANSFORMER CKT 1
2	10G	G08_003	TO->FROM	FPL SWITCH - WOODWARD 138KV CKT 1	133	153	0.13843	117.2225	WOODWARD - WOODWARD 69KV CKT 1
2	10G	G08_003	TO->FROM	FPL SWITCH - WOODWARD 138KV CKT 1	133	153	0.12974	107.8209	COMANCH5 345.00 - WWRDEHV7 345.00 345KV CKT 1
2	10G	G08_003	TO->FROM	FPL SWITCH - WOODWARD 138KV CKT 1	133	153	0.12974	107.8209	COMANCH5 345.00 - WWRDEHV7 345.00 345KV CKT 2
2	10G	G08_003	TO->FROM	FPL SWITCH - WOODWARD 138KV CKT 1	133	153	0.12932	108.3936	COMANCH5 345.00 - WWRDEHV7 345.00 345KV CKT 2
2	10G	G08_003	TO->FROM	FPL SWITCH - WOODWARD 138KV CKT 1	133	153	0.12932	108.3936	COMANCH5 345.00 - WWRDEHV7 345.00 345KV CKT 1
2	10G	G08_003	TO->FROM	FPL SWITCH - WOODWARD 138KV CKT 1	133	153	0.12872	100.4631	MIDPT_BUS 7 345.00 - WWRDEHV7 345.00 345KV CKT 1
2	10G	G08_003	TO->FROM	FPL SWITCH - WOODWARD 138KV CKT 1	133	153	0.12799	100.617	MIDPT_BUS 7 345.00 - TUCO INTERCHANGE 345KV CKT 1
2	10G	G08_003	TO->FROM	FPL SWITCH - WOODWARD 138KV CKT 1	133	153	0.12799	101.3058	MIDPT_BUS 7 345.00 - WWRDEHV7 345.00 345KV CKT 1
2	10G	G08_003	TO->FROM	FPL SWITCH - WOODWARD 138KV CKT 1	133	153	0.12681	109.2019	MED-LDG5 345.00 - WICHITA 345KV CKT 2
2	10G	G08_003	TO->FROM	FPL SWITCH - WOODWARD 138KV CKT 1	133	153	0.12681	109.2019	MED-LDG5 345.00 - WICHITA 345KV CKT 1
2	10G	G08_003	TO->FROM	FPL SWITCH - WOODWARD 138KV CKT 1	133	153	0.12637	109.7732	MED-LDG5 345.00 - WICHITA 345KV CKT 2
2	10G	G08_003	TO->FROM	FPL SWITCH - WOODWARD 138KV CKT 1	133	153	0.12637	109.7732	MED-LDG5 345.00 - WICHITA 345KV CKT 1
2	10G	G08_003	TO->FROM	FPL SWITCH - WOODWARD 138KV CKT 1	133	153	0.12604	105.1758	FARGO JCT - WOODWARD 69KV CKT 1
2	10G	G08_003	TO->FROM	FPL SWITCH - WOODWARD 138KV CKT 1	133	153	0.12581	107.8172	COMANCH5 345.00 - MED-LDG5 345.00 345KV CKT 2
2	10G	G08_003	TO->FROM	FPL SWITCH - WOODWARD 138KV CKT 1	133	153	0.12581	107.8172	COMANCH5 345.00 - MED-LDG5 345.00 345KV CKT 1
2	10G	G08_003	TO->FROM	FPL SWITCH - WOODWARD 138KV CKT 1	133	153	0.12561	105.7545	FARGO JCT - WOODWARD 69KV CKT 1
2	10G	G08_003	TO->FROM	FPL SWITCH - WOODWARD 138KV CKT 1	133	153	0.12537	108.388	COMANCH5 345.00 - MED-LDG5 345.00 345KV CKT 1
2	10G	G08_003	TO->FROM	FPL SWITCH - WOODWARD 138KV CKT 1	133	153	0.12537	108.388	COMANCH5 345.00 - MED-LDG5 345.00 345KV CKT 2
2	10G	G08_003	TO->FROM	FPL SWITCH - WOODWARD 138KV CKT 1	133	153	0.12487	107.0002	KNOLL345 345.00 - SPEARVILLE 345KV CKT 1
5	10G	G08_003	TO->FROM	FPL SWITCH - WOODWARD 138KV CKT 1	133	153	0.12477	105.3803	LAWTON EASTSIDE - OKLAUNION 345KV CKT 1
2	10G	G08_003	TO->FROM	FPL SWITCH - WOODWARD 138KV CKT 1	133	153	0.12476	113.2595	G05-15T 345.00 - TUCO INTERCHANGE 345KV CKT 1
2	10G	G08_003	TO->FROM	FPL SWITCH - WOODWARD 138KV CKT 1	133	153	0.12476	116.1673	G05-15T 345.00 - OKLAUNION 345KV CKT 1

Group Dispatch Scenario	SEASON	SOURCE	DIRECTION	MONTCOMMONNAME	RATEA	RATEB	TDF	LOADING%	CONTNAME
2	10G	G08_003	TO->FROM	FPL SWITCH - WOODWARD 138KV CKT 1	133	153	0.12476	126.1891	LAWTON EASTSIDE - OKLAUNION 345KV CKT 1
6	10G	G08_003	TO->FROM	FPL SWITCH - WOODWARD 138KV CKT 1	133	153	0.12458	103.6113	LAWTON EASTSIDE - OKLAUNION 345KV CKT 1
2	10G	G08_003	TO->FROM	FPL SWITCH - WOODWARD 138KV CKT 1	133	153	0.12451	104.6931	MINGO - RED WILLOW 345KV CKT 1
3	10G	G08_003	TO->FROM	FPL SWITCH - WOODWARD 138KV CKT 1	133	153	0.1245	109.0416	LAWTON EASTSIDE - OKLAUNION 345KV CKT 1
5	10G	G08_003	TO->FROM	FPL SWITCH - WOODWARD 138KV CKT 1	133	153	0.12446	106.9611	LAWTON EASTSIDE - OKLAUNION 345KV CKT 1
2	10G	G08_003	TO->FROM	FPL SWITCH - WOODWARD 138KV CKT 1	133	153	0.12445	116.7903	G05-15T 345.00 - OKLAUNION 345KV CKT 1
2	10G	G08_003	TO->FROM	FPL SWITCH - WOODWARD 138KV CKT 1	133	153	0.12445	113.8468	G05-15T 345.00 - TUCO INTERCHANGE 345KV CKT 1
2	10G	G08_003	TO->FROM	FPL SWITCH - WOODWARD 138KV CKT 1	133	153	0.12445	126.9661	LAWTON EASTSIDE - OKLAUNION 345KV CKT 1
2	10G	G08_003	TO->FROM	FPL SWITCH - WOODWARD 138KV CKT 1	133	153	0.12444	107.563	KNOLL345 345.00 - SPEARVILLE 345KV CKT 1
2	10G	G08_003	TO->FROM	FPL SWITCH - WOODWARD 138KV CKT 1	133	153	0.12438	107.3907	DEWEY - TALOGA 138KV CKT 1
2	10G	G08_003	TO->FROM	FPL SWITCH - WOODWARD 138KV CKT 1	133	153	0.12426	105.7432	MINGO - SETAB 345KV CKT 1
2	10G	G08_003	TO->FROM	FPL SWITCH - WOODWARD 138KV CKT 1	133	153	0.12406	105.2578	MINGO - RED WILLOW 345KV CKT 1
2	10G	G08_003	TO->FROM	FPL SWITCH - WOODWARD 138KV CKT 1	133	153	0.12401	105.2674	CIMARRON - NORTHWEST 345KV CKT 1
2	10G	G08_003	TO->FROM	FPL SWITCH - WOODWARD 138KV CKT 1	133	153	0.12394	109.0362	FINNEY SWITCHING STATION - STEVENS CO 345.00 345KV CKT 1
2	10G	G08_003	TO->FROM	FPL SWITCH - WOODWARD 138KV CKT 1	133	153	0.12393	108.0076	DEWEY - TALOGA 138KV CKT 1
2	10G	G08_003	TO->FROM	FPL SWITCH - WOODWARD 138KV CKT 1	133	153	0.1239	105.1984	AXTELL - KNOLL345 345.00 345KV CKT 1
2	10G	G08_003	TO->FROM	FPL SWITCH - WOODWARD 138KV CKT 1	133	153	0.12382	106.2933	MINGO - SETAB 345KV CKT 1
2	10G	G08_003	TO->FROM	FPL SWITCH - WOODWARD 138KV CKT 1	133	153	0.12362	106.7537	G07-25T 345.00 - G08-13T 345.00 345KV CKT 1
2	10G	G08_003	TO->FROM	FPL SWITCH - WOODWARD 138KV CKT 1	133	153	0.12362	105.0563	G07-25T 345.00 - WICHITA 345KV CKT 1
2	10G	G08_003	TO->FROM	FPL SWITCH - WOODWARD 138KV CKT 1	133	153	0.12362	108.753	G08-13T 345.00 - WOODRING 345KV CKT 1
2	10G	G08_003	TO->FROM	FPL SWITCH - WOODWARD 138KV CKT 1	133	153	0.12357	105.8461	CIMARRON - NORTHWEST 345KV CKT 1
2	10G	G08_003	TO->FROM	FPL SWITCH - WOODWARD 138KV CKT 1	133	153	0.12345	109.3439	FINNEY SWITCHING STATION - STEVENS CO 345.00 345KV CKT 1
2	10G	G08_003	TO->FROM	FPL SWITCH - WOODWARD 138KV CKT 1	133	153	0.12324	104.9633	GRAND ISLAND - SWEETWATER 345KV CKT 1
2	10G	G08_003	TO->FROM	FPL SWITCH - WOODWARD 138KV CKT 1	133	153	0.12318	105.6361	G07-25T 345.00 - WICHITA 345KV CKT 1
2	10G	G08_003	TO->FROM	FPL SWITCH - WOODWARD 138KV CKT 1	133	153	0.12318	107.3404	G07-25T 345.00 - G08-13T 345.00 345KV CKT 1
2	10G	G08_003	TO->FROM	FPL SWITCH - WOODWARD 138KV CKT 1	133	153	0.12318	109.3337	G08-13T 345.00 - WOODRING 345KV CKT 1
2	10G	G08_003	TO->FROM	FPL SWITCH - WOODWARD 138KV CKT 1	133	153	0.12311	104.7297	WRTOD400
2	10G	G08_003	TO->FROM	FPL SWITCH - WOODWARD 138KV CKT 1	133	153	0.12299	105.2174	GEN511841 1-NORTHEASTERN STATION #4
2	10G	G08_003	TO->FROM	FPL SWITCH - WOODWARD 138KV CKT 1	133	153	0.12299	106.1532	GEN515223 1-MUSKOGEE 4G
2	10G	G08_003	TO->FROM	FPL SWITCH - WOODWARD 138KV CKT 1	133	153	0.12299	105.6383	GEN512688 2-GRDA1 GSU2 22
2	10G	G08_003	TO->FROM	FPL SWITCH - WOODWARD 138KV CKT 1	133	153	0.12299	104.9108	GEN338146 1-INDEPENDENCE UNIT #2
2	10G	G08_003	TO->FROM	FPL SWITCH - WOODWARD 138KV CKT 1	133	153	0.12299	105.6638	GEN509405 1-WELSH #2
2	10G	G08_003	TO->FROM	FPL SWITCH - WOODWARD 138KV CKT 1	133	153	0.12299	108.2115	GEN515790 1-FPLWND2
2	10G	G08_003	TO->FROM	FPL SWITCH - WOODWARD 138KV CKT 1	133	153	0.12299	100.5504	GEN527901 1-HOBBS PLANT #1 (CT)
2	10G	G08_003	TO->FROM	FPL SWITCH - WOODWARD 138KV CKT 1	133	153	0.12299	105.664	GEN509406 1-WELSH #3
2	10G	G08_003	TO->FROM	FPL SWITCH - WOODWARD 138KV CKT 1	133	153	0.12299	104.6407	GEN521116 1-RHWIND4 138.00
2	10G	G08_003	TO->FROM	FPL SWITCH - WOODWARD 138KV CKT 1	133	153	0.12299	105.2362	GEN509394 1-FLINT CREEK
2	10G	G08_003	TO->FROM	FPL SWITCH - WOODWARD 138KV CKT 1	133	153	0.12299	106.2864	GEN509403 1-PIRKEY GENERATION
2	10G	G08_003	TO->FROM	FPL SWITCH - WOODWARD 138KV CKT 1	133	153	0.12299	105.9899	GEN520947 1-HUGO1
2	10G	G08_003	TO->FROM	FPL SWITCH - WOODWARD 138KV CKT 1	133	153	0.12299	105.1071	GEN501813 1-RODEMACHER UNIT 3
2	10G	G08_003	TO->FROM	FPL SWITCH - WOODWARD 138KV CKT 1	133	153	0.12299	106.3417	GEN501801 1-DOLET HILLS UNIT1
2	10G	G08_003	TO->FROM	FPL SWITCH - WOODWARD 138KV CKT 1	133	153	0.12299	106.4108	GEN520922 1-SLEEPING 138.00
2	10G	G08_003	TO->FROM	FPL SWITCH - WOODWARD 138KV CKT 1	133	153	0.12299	107.6471	GEN514806 1-SOONER UNIT 2
2	10G	G08_003	TO->FROM	FPL SWITCH - WOODWARD 138KV CKT 1	133	153	0.12299	105.6637	GEN509404 1-WELSH #1
2	10G	G08_003	TO->FROM	FPL SWITCH - WOODWARD 138KV CKT 1	133	153	0.12299	104.7885	GEN501812 1-RODEMACHER UNIT 2
2	10G	G08_003	TO->FROM	FPL SWITCH - WOODWARD 138KV CKT 1	133	153	0.12299	105.4163	GEN511839 1-NORTHEASTERN STATION #2
2	10G	G08_003	TO->FROM	FPL SWITCH - WOODWARD 138KV CKT 1	133	153	0.12299	105.2446	GEN511840 1-NORTHEASTERN STATION #3
2	10G	G08_003	TO->FROM	FPL SWITCH - WOODWARD 138KV CKT 1	133	153	0.12299	100.5504	GEN527902 1-HOBBS PLANT #2 (CT)
2	10G	G08_003	TO->FROM	FPL SWITCH - WOODWARD 138KV CKT 1	133	153	0.12299	100.4418	GEN527163 1-MUSTANG GEN #3 22 KV
2	10G	G08_003	TO->FROM	FPL SWITCH - WOODWARD 138KV CKT 1	133	153	0.12299	105.1355	GEN512689 1-GRDA1 GSU1 22
2	10G	G08_003	TO->FROM	FPL SWITCH - WOODWARD 138KV CKT 1	133	153	0.12299	100.574	GEN527165 1-Mustang Gen #5
2	10G	G08_003	TO->FROM	FPL SWITCH - WOODWARD 138KV CKT 1	133	153	0.12299	106.6933	GEN336153 1-WATERFORD UNIT#3
2	10G	G08_003	TO->FROM	FPL SWITCH - WOODWARD 138KV CKT 1	133	153	0.12299	105.6898	GEN511843 1-RIVERSIDE STATION #2
2	10G	G08_003	TO->FROM	FPL SWITCH - WOODWARD 138KV CKT 1	133	153	0.12299	105.4311	GEN337652 1-WHITE BLUFF UNIT #1
2	10G	G08_003	TO->FROM	FPL SWITCH - WOODWARD 138KV CKT 1	133	153	0.12299	105.4389	GEN337653 1-WHITE BLUFF UNIT #2
2	10G	G08_003	TO->FROM	FPL SWITCH - WOODWARD 138KV CKT 1	133	153	0.12299	106.8418	GEN336821 1-GRAND GULF UNIT
2	10G	G08_003	TO->FROM	FPL SWITCH - WOODWARD 138KV CKT 1	133	153	0.12299	100.5715	GEN527164 1-MUSTANG GEN #4 22 KV
2	10G	G08_003	TO->FROM	FPL SWITCH - WOODWARD 138KV CKT 1	133	153	0.12299	104.7593	GEN337041 1-GERALD ANDRUS
2	10G	G08_003	TO->FROM	FPL SWITCH - WOODWARD 138KV CKT 1	133	153	0.12299	100.577	GEN527162 1-MUSTANG GEN #2
2	10G	G08_003	TO->FROM	FPL SWITCH - WOODWARD 138KV CKT 1	133	153	0.12299	107.5862	GEN511848 1-SOUTHWESTERN STATION #3

Group Dispatch Scenario	SEASON	SOURCE	DIRECTION	MONTCOMMONNAME	RATEA	RATEB	TDF	LOADING%	CONTNAME
2	10G	G08_003	TO->FROM	FPL SWITCH - WOODWARD 138KV CKT 1	133	153	0.12299	106.2806	GEN337910 1-ARKANSAS NUCLEAR ONE UNIT #1
2	10G	G08_003	TO->FROM	FPL SWITCH - WOODWARD 138KV CKT 1	133	153	0.12299	106.9881	GEN337911 1-ARKANSAS NUCLEAR ONE UNIT #2
2	10G	G08_003	TO->FROM	FPL SWITCH - WOODWARD 138KV CKT 1	133	153	0.12299	105.6351	GEN511842 1-RIVERSIDE STATION #1
2	10G	G08_003	TO->FROM	FPL SWITCH - WOODWARD 138KV CKT 1	133	153	0.12299	110.2485	GEN514805 1-SOONER UNIT 1
2	10G	G08_003	TO->FROM	FPL SWITCH - WOODWARD 138KV CKT 1	133	153	0.12299	106.196	GEN515225 1-MUSKOGEE 5G
2	10G	G08_003	TO->FROM	FPL SWITCH - WOODWARD 138KV CKT 1	133	153	0.12299	106.1491	GEN335831 1-RIVERBEND UNIT#1
2	10G	G08_003	TO->FROM	FPL SWITCH - WOODWARD 138KV CKT 1	133	153	0.12299	100.577	GEN527161 1-MUSTANG GEN #1
2	10G	G08_003	TO->FROM	FPL SWITCH - WOODWARD 138KV CKT 1	133	153	0.12299	106.1806	GEN515226 1-MUSKOGEE 6G
2	10G	G08_003	TO->FROM	FPL SWITCH - WOODWARD 138KV CKT 1	133	153	0.12299	100.6005	GEN560035 1-G03-13-1 0.6000
2	10G	G08_003	TO->FROM	FPL SWITCH - WOODWARD 138KV CKT 1	133	153	0.12299	100.1575	GEN560067 1-G06-49-3 0.6000
2	10G	G08_003	TO->FROM	FPL SWITCH - WOODWARD 138KV CKT 1	133	153	0.12299	115.4238	GEN560183 1-G07-51 0.6000
2	10G	G08_003	TO->FROM	FPL SWITCH - WOODWARD 138KV CKT 1	133	153	0.12299	100.2899	GEN532751 1-WOLF CREEK GENERATING STATION UNIT 1
2	10G	G08_003	TO->FROM	FPL SWITCH - WOODWARD 138KV CKT 1	133	153	0.12299	100.6005	GEN560036 1-G03-13-2 0.6000
2	10G	G08_003	TO->FROM	FPL SWITCH - WOODWARD 138KV CKT 1	133	153	0.12299	100.3224	GEN542957 1-IATAN UNIT #1
2	10G	G08_003	TO->FROM	FPL SWITCH - WOODWARD 138KV CKT 1	133	153	0.12299	105.12	GEN560152 1-G06-46 0.6000
2	10G	G08_003	TO->FROM	FPL SWITCH - WOODWARD 138KV CKT 1	133	153	0.12299	100.0881	GEN645001 1-FORT CALHOUN 1
2	10G	G08_003	TO->FROM	FPL SWITCH - WOODWARD 138KV CKT 1	133	153	0.12299	118.0828	BASE CASE
2	10G	G08_003	TO->FROM	FPL SWITCH - WOODWARD 138KV CKT 1	133	153	0.12296	105.026	AMRN_OUTS6
2	10G	G08_003	TO->FROM	FPL SWITCH - WOODWARD 138KV CKT 1	133	153	0.12281	105.5246	GRAND ISLAND - SWEETWATER 345KV CKT 1
2	10G	G08_003	TO->FROM	FPL SWITCH - WOODWARD 138KV CKT 1	133	153	0.12277	100.497	OGE3TERM4
2	10G	G08_003	TO->FROM	FPL SWITCH - WOODWARD 138KV CKT 1	133	153	0.12271	115.7736	GRAPEVINE INTERCHANGE - NICHOLS STATION 230KV CKT 1
2	10G	G08_003	TO->FROM	FPL SWITCH - WOODWARD 138KV CKT 1	133	153	0.12269	105.2973	WRTOD400
2	10G	G08_003	TO->FROM	FPL SWITCH - WOODWARD 138KV CKT 1	133	153	0.12262	100.3692	WEATHERFORD JCT. - WEATHERFORD SOUTHEAST 138KV CKT 1
3	10G	G08_003	TO->FROM	FPL SWITCH - WOODWARD 138KV CKT 1	133	153	0.12259	103.7955	GEN560183 1-G07-51 0.6000
3	10G	G08_003	TO->FROM	FPL SWITCH - WOODWARD 138KV CKT 1	133	153	0.12259	104.5285	BASE CASE
2	10G	G08_003	TO->FROM	FPL SWITCH - WOODWARD 138KV CKT 1	133	153	0.12257	118.7333	BASE CASE
2	10G	G08_003	TO->FROM	FPL SWITCH - WOODWARD 138KV CKT 1	133	153	0.12257	100.3352	GEN560065 1-G06-49-1 0.6000
2	10G	G08_003	TO->FROM	FPL SWITCH - WOODWARD 138KV CKT 1	133	153	0.12257	106.9292	GEN501801 1-DOLET HILLS UNIT1
2	10G	G08_003	TO->FROM	FPL SWITCH - WOODWARD 138KV CKT 1	133	153	0.12257	101.0258	GEN527164 1-MUSTANG GEN #4 22 KV
2	10G	G08_003	TO->FROM	FPL SWITCH - WOODWARD 138KV CKT 1	133	153	0.12257	101.0284	GEN527165 1-Mustang Gen #5
2	10G	G08_003	TO->FROM	FPL SWITCH - WOODWARD 138KV CKT 1	133	153	0.12257	105.3809	GEN501812 1-RODEMACHER UNIT 2
2	10G	G08_003	TO->FROM	FPL SWITCH - WOODWARD 138KV CKT 1	133	153	0.12257	107.4885	GEN336821 1-GRAND GULF UNIT
2	10G	G08_003	TO->FROM	FPL SWITCH - WOODWARD 138KV CKT 1	133	153	0.12257	101.1998	GEN560036 1-G03-13-2 0.6000
2	10G	G08_003	TO->FROM	FPL SWITCH - WOODWARD 138KV CKT 1	133	153	0.12257	101.1998	GEN560035 1-G03-13-1 0.6000
2	10G	G08_003	TO->FROM	FPL SWITCH - WOODWARD 138KV CKT 1	133	153	0.12257	100.3908	GEN560032 1-G02-06 0.6000
2	10G	G08_003	TO->FROM	FPL SWITCH - WOODWARD 138KV CKT 1	133	153	0.12257	100.954	GEN542957 1-IATAN UNIT #1
2	10G	G08_003	TO->FROM	FPL SWITCH - WOODWARD 138KV CKT 1	133	153	0.12257	100.2116	GEN539670 4-JUDSON LARGE GENERATOR
2	10G	G08_003	TO->FROM	FPL SWITCH - WOODWARD 138KV CKT 1	133	153	0.12257	100.5353	GEN560045 1-G05-17-1 34.500
2	10G	G08_003	TO->FROM	FPL SWITCH - WOODWARD 138KV CKT 1	133	153	0.12257	100.9736	GEN532751 1-WOLF CREEK GENERATING STATION UNIT 1
2	10G	G08_003	TO->FROM	FPL SWITCH - WOODWARD 138KV CKT 1	133	153	0.12257	100.0739	GEN532653 1-JEFFREY ENERGY CENTER UNIT 3
2	10G	G08_003	TO->FROM	FPL SWITCH - WOODWARD 138KV CKT 1	133	153	0.12257	106.777	GEN335831 1-RIVERBEND UNIT#1
2	10G	G08_003	TO->FROM	FPL SWITCH - WOODWARD 138KV CKT 1	133	153	0.12257	107.3299	GEN336153 1-WATERFORD UNIT#3
2	10G	G08_003	TO->FROM	FPL SWITCH - WOODWARD 138KV CKT 1	133	153	0.12257	100.0649	GEN532651 1-JEFFREY ENERGY CENTER UNIT 1
2	10G	G08_003	TO->FROM	FPL SWITCH - WOODWARD 138KV CKT 1	133	153	0.12257	100.5353	GEN560049 1-G05-17-3 34.500
2	10G	G08_003	TO->FROM	FPL SWITCH - WOODWARD 138KV CKT 1	133	153	0.12257	105.532	GEN338146 1-INDEPENDENCE UNIT #2
2	10G	G08_003	TO->FROM	FPL SWITCH - WOODWARD 138KV CKT 1	133	153	0.12257	106.2706	GEN511843 1-RIVERSIDE STATION #2
2	10G	G08_003	TO->FROM	FPL SWITCH - WOODWARD 138KV CKT 1	133	153	0.12257	105.3711	GEN337041 1-GERALD ANDRUS
2	10G	G08_003	TO->FROM	FPL SWITCH - WOODWARD 138KV CKT 1	133	153	0.12257	100.108	GEN527903 1-HOBBS PLANT #3 (ST)
2	10G	G08_003	TO->FROM	FPL SWITCH - WOODWARD 138KV CKT 1	133	153	0.12257	106.0456	GEN337652 1-WHITE BLUFF UNIT #1
2	10G	G08_003	TO->FROM	FPL SWITCH - WOODWARD 138KV CKT 1	133	153	0.12257	101.0027	GEN527902 1-HOBBS PLANT #2 (CT)
2	10G	G08_003	TO->FROM	FPL SWITCH - WOODWARD 138KV CKT 1	133	153	0.12257	106.0534	GEN337653 1-WHITE BLUFF UNIT #2
2	10G	G08_003	TO->FROM	FPL SWITCH - WOODWARD 138KV CKT 1	133	153	0.12257	100.1916	GEN560055 1-G06-44-2 0.6000
2	10G	G08_003	TO->FROM	FPL SWITCH - WOODWARD 138KV CKT 1	133	153	0.12257	101.0027	GEN527901 1-HOBBS PLANT #1 (CT)
2	10G	G08_003	TO->FROM	FPL SWITCH - WOODWARD 138KV CKT 1	133	153	0.12257	106.8966	GEN337910 1-ARKANSAS NUCLEAR ONE UNIT #1
2	10G	G08_003	TO->FROM	FPL SWITCH - WOODWARD 138KV CKT 1	133	153	0.12257	107.6139	GEN337911 1-ARKANSAS NUCLEAR ONE UNIT #2
2	10G	G08_003	TO->FROM	FPL SWITCH - WOODWARD 138KV CKT 1	133	153	0.12257	100.3116	GEN527882 1-CUNNINGHAM GEN #2 20 KV
2	10G	G08_003	TO->FROM	FPL SWITCH - WOODWARD 138KV CKT 1	133	153	0.12257	100.0742	GEN532652 1-JEFFREY ENERGY CENTER UNIT 2
2	10G	G08_003	TO->FROM	FPL SWITCH - WOODWARD 138KV CKT 1	133	153	0.12257	105.8308	GEN511840 1-NORTHEASTERN STATION #3
2	10G	G08_003	TO->FROM	FPL SWITCH - WOODWARD 138KV CKT 1	133	153	0.12257	106.7773	GEN515225 1-MUSKOGEE 5G
2	10G	G08_003	TO->FROM	FPL SWITCH - WOODWARD 138KV CKT 1	133	153	0.12257	108.238	GEN514806 1-SOONER UNIT 2

Group Dispatch Scenario	SEASON	SOURCE	DIRECTION	MONTCOMMONNAME	RATEA	RATEB	TDF	LOADING%	CONTNAME
2	10G	G08_003	TO->FROM	FPL SWITCH - WOODWARD 138KV CKT 1	133	153	0.12257	101.0321	GEN527161 1-MUSTANG GEN #1
2	10G	G08_003	TO->FROM	FPL SWITCH - WOODWARD 138KV CKT 1	133	153	0.12257	108.1232	GEN511848 1-SOUTHWESTERN STATION #3
2	10G	G08_003	TO->FROM	FPL SWITCH - WOODWARD 138KV CKT 1	133	153	0.12257	105.8264	GEN509394 1-FLINT CREEK
2	10G	G08_003	TO->FROM	FPL SWITCH - WOODWARD 138KV CKT 1	133	153	0.12257	100.3857	GEN560066 1-G06-49-2 0.6000
2	10G	G08_003	TO->FROM	FPL SWITCH - WOODWARD 138KV CKT 1	133	153	0.12257	108.7793	GEN515790 1-FPLWIND2
2	10G	G08_003	TO->FROM	FPL SWITCH - WOODWARD 138KV CKT 1	133	153	0.12257	105.6877	GEN560152 1-G06-46 0.6000
2	10G	G08_003	TO->FROM	FPL SWITCH - WOODWARD 138KV CKT 1	133	153	0.12257	106.7619	GEN515226 1-MUSKOGEE 6G
2	10G	G08_003	TO->FROM	FPL SWITCH - WOODWARD 138KV CKT 1	133	153	0.12257	106.7343	GEN515223 1-MUSKOGEE 4G
2	10G	G08_003	TO->FROM	FPL SWITCH - WOODWARD 138KV CKT 1	133	153	0.12257	115.9935	GEN560183 1-G07-51 0.6000
2	10G	G08_003	TO->FROM	FPL SWITCH - WOODWARD 138KV CKT 1	133	153	0.12257	105.8033	GEN511841 1-NORTHEASTERN STATION #4
2	10G	G08_003	TO->FROM	FPL SWITCH - WOODWARD 138KV CKT 1	133	153	0.12257	106.868	GEN509403 1-PIRKEY GENERATION
2	10G	G08_003	TO->FROM	FPL SWITCH - WOODWARD 138KV CKT 1	133	153	0.12257	100.7653	GEN560067 1-G06-49-3 0.6000
2	10G	G08_003	TO->FROM	FPL SWITCH - WOODWARD 138KV CKT 1	133	153	0.12257	105.7195	GEN512689 1-GRDA1 GSU1 22
2	10G	G08_003	TO->FROM	FPL SWITCH - WOODWARD 138KV CKT 1	133	153	0.12257	110.8397	GEN514805 1-SOONER UNIT 1
2	10G	G08_003	TO->FROM	FPL SWITCH - WOODWARD 138KV CKT 1	133	153	0.12257	100.7099	GEN645001 1-FORT CALHOUN 1
2	10G	G08_003	TO->FROM	FPL SWITCH - WOODWARD 138KV CKT 1	133	153	0.12257	100.889	GEN527163 1-MUSTANG GEN #3 22 KV
2	10G	G08_003	TO->FROM	FPL SWITCH - WOODWARD 138KV CKT 1	133	153	0.12257	106.0014	GEN511839 1-NORTHEASTERN STATION #2
2	10G	G08_003	TO->FROM	FPL SWITCH - WOODWARD 138KV CKT 1	133	153	0.12257	106.2394	GEN509405 1-WELSH #2
2	10G	G08_003	TO->FROM	FPL SWITCH - WOODWARD 138KV CKT 1	133	153	0.12257	106.2157	GEN511842 1-RIVERSIDE STATION #1
2	10G	G08_003	TO->FROM	FPL SWITCH - WOODWARD 138KV CKT 1	133	153	0.12257	105.1952	GEN521116 1-RHWIND4 138.00
2	10G	G08_003	TO->FROM	FPL SWITCH - WOODWARD 138KV CKT 1	133	153	0.12257	106.2393	GEN509404 1-WELSH #1
2	10G	G08_003	TO->FROM	FPL SWITCH - WOODWARD 138KV CKT 1	133	153	0.12257	106.5534	GEN520947 1-HUGO1
2	10G	G08_003	TO->FROM	FPL SWITCH - WOODWARD 138KV CKT 1	133	153	0.12257	106.2396	GEN509406 1-WELSH #3
2	10G	G08_003	TO->FROM	FPL SWITCH - WOODWARD 138KV CKT 1	133	153	0.12257	101.0321	GEN527162 1-MUSTANG GEN #2
2	10G	G08_003	TO->FROM	FPL SWITCH - WOODWARD 138KV CKT 1	133	153	0.12257	106.2269	GEN512688 2-GRDA1 GSU2 22
2	10G	G08_003	TO->FROM	FPL SWITCH - WOODWARD 138KV CKT 1	133	153	0.12257	106.9845	GEN520922 1-SLEEPING 138.00
2	10G	G08_003	TO->FROM	FPL SWITCH - WOODWARD 138KV CKT 1	133	153	0.12257	105.7033	GEN501813 1-RODEMACHER UNIT 3
2	10G	G08_003	TO->FROM	FPL SWITCH - WOODWARD 138KV CKT 1	133	153	0.12254	105.5927	AMRN_OUTS6
2	10G	G08_003	TO->FROM	FPL SWITCH - WOODWARD 138KV CKT 1	133	153	0.12245	100.4914	ALVA - KNOBHILL 69KV CKT 1
2	10G	G08_003	TO->FROM	FPL SWITCH - WOODWARD 138KV CKT 1	133	153	0.1224	116.2812	GRAPEVINE INTERCHANGE - NICHOLS STATION 230KV CKT 1
2	10G	G08_003	TO->FROM	FPL SWITCH - WOODWARD 138KV CKT 1	133	153	0.12236	100.2202	LYDIA - VALLIANT 345KV CKT 1
2	10G	G08_003	TO->FROM	FPL SWITCH - WOODWARD 138KV CKT 1	133	153	0.12235	100.311	SPP-AEPW-01
2	10G	G08_003	TO->FROM	FPL SWITCH - WOODWARD 138KV CKT 1	133	153	0.12235	101.0716	OGE3TERM4
2	10G	G08_003	TO->FROM	FPL SWITCH - WOODWARD 138KV CKT 1	133	153	0.12219	100.9922	WEATHERFORD JCT. - WEATHERFORD SOUTHEAST 138KV CKT 1
5	10G	G08_003	TO->FROM	FPL SWITCH - WOODWARD 138KV CKT 1	133	153	0.12217	102.2629	SPP-SWPS-03B
2	10G	G08_003	TO->FROM	FPL SWITCH - WOODWARD 138KV CKT 1	133	153	0.12216	121.5565	SPP-SWPS-03B
5	10G	G08_003	TO->FROM	FPL SWITCH - WOODWARD 138KV CKT 1	133	153	0.12215	112.6639	BECKHAM CO 230.00 - ELK CITY 230KV 230KV CKT 1
5	10G	G08_003	TO->FROM	FPL SWITCH - WOODWARD 138KV CKT 1	133	153	0.12215	101.6188	BECKHAM CO 230.00 - STATELINE INTERCHANGE 230KV CKT 1
5	10G	G08_003	TO->FROM	FPL SWITCH - WOODWARD 138KV CKT 1	133	153	0.12215	112.6557	ELK CITY 230KV (ELKCTY-6) 230/138/13.8KV TRANSFORMER CKT 1
5	10G	G08_003	TO->FROM	FPL SWITCH - WOODWARD 138KV CKT 1	133	153	0.12215	101.6593	GRAPEVINE INTERCHANGE - STATELINE INTERCHANGE 230KV CKT 1
2	10G	G08_003	TO->FROM	FPL SWITCH - WOODWARD 138KV CKT 1	133	153	0.12214	131.4615	ELK CITY 230KV (ELKCTY-6) 230/138/13.8KV TRANSFORMER CKT 1
2	10G	G08_003	TO->FROM	FPL SWITCH - WOODWARD 138KV CKT 1	133	153	0.12214	120.7068	GRAPEVINE INTERCHANGE - STATELINE INTERCHANGE 230KV CKT 1
2	10G	G08_003	TO->FROM	FPL SWITCH - WOODWARD 138KV CKT 1	133	153	0.12214	120.6768	BECKHAM CO 230.00 - STATELINE INTERCHANGE 230KV CKT 1
2	10G	G08_003	TO->FROM	FPL SWITCH - WOODWARD 138KV CKT 1	133	153	0.12214	131.4643	BECKHAM CO 230.00 - ELK CITY 230KV 230KV CKT 1
2	10G	G08_003	TO->FROM	FPL SWITCH - WOODWARD 138KV CKT 1	133	153	0.12205	105.105	ELK CITY - FALCON ROAD 138KV CKT 1
2	10G	G08_003	TO->FROM	FPL SWITCH - WOODWARD 138KV CKT 1	133	153	0.12203	101.0671	ALVA - KNOBHILL 69KV CKT 1
3	10G	G08_003	TO->FROM	FPL SWITCH - WOODWARD 138KV CKT 1	133	153	0.12201	109.9459	BECKHAM CO 230.00 - ELK CITY 230KV 230KV CKT 1
3	10G	G08_003	TO->FROM	FPL SWITCH - WOODWARD 138KV CKT 1	133	153	0.12201	109.9407	ELK CITY 230KV (ELKCTY-6) 230/138/13.8KV TRANSFORMER CKT 1
5	10G	G08_003	TO->FROM	FPL SWITCH - WOODWARD 138KV CKT 1	133	153	0.12199	102.9974	SPP-SWPS-03B
2	10G	G08_003	TO->FROM	FPL SWITCH - WOODWARD 138KV CKT 1	133	153	0.12198	121.8661	SPP-SWPS-03B
5	10G	G08_003	TO->FROM	FPL SWITCH - WOODWARD 138KV CKT 1	133	153	0.12197	102.4097	BECKHAM CO 230.00 - STATELINE INTERCHANGE 230KV CKT 1
5	10G	G08_003	TO->FROM	FPL SWITCH - WOODWARD 138KV CKT 1	133	153	0.12197	113.4847	BECKHAM CO 230.00 - ELK CITY 230KV 230KV CKT 1

Group Dispatch Scenario	SEASON	SOURCE	DIRECTION	MONTCOMMONNAME	RATEA	RATEB	TDF	LOADING%	CONTNAME
5	10G	G08_003	TO->FROM	FPL SWITCH - WOODWARD 138KV CKT 1	133	153	0.12197	113.4768	ELK CITY 230KV (ELKCTY-6) 230/138/13.8KV TRANSFORMER CKT 1
5	10G	G08_003	TO->FROM	FPL SWITCH - WOODWARD 138KV CKT 1	133	153	0.12197	102.4427	GRAPEVINE INTERCHANGE - STATELINE INTERCHANGE 230KV CKT 1
2	10G	G08_003	TO->FROM	FPL SWITCH - WOODWARD 138KV CKT 1	133	153	0.12196	131.8555	ELK CITY 230KV (ELKCTY-6) 230/138/13.8KV TRANSFORMER CKT 1
2	10G	G08_003	TO->FROM	FPL SWITCH - WOODWARD 138KV CKT 1	133	153	0.12196	120.9478	BECKHAM CO 230.00 - STATELINE INTERCHANGE 230KV CKT 1
2	10G	G08_003	TO->FROM	FPL SWITCH - WOODWARD 138KV CKT 1	133	153	0.12196	131.8642	BECKHAM CO 230.00 - ELK CITY 230KV 230KV CKT 1
2	10G	G08_003	TO->FROM	FPL SWITCH - WOODWARD 138KV CKT 1	133	153	0.12196	120.9754	GRAPEVINE INTERCHANGE - STATELINE INTERCHANGE 230KV CKT 1
2	10G	G08_003	TO->FROM	FPL SWITCH - WOODWARD 138KV CKT 1	133	153	0.12194	100.8241	LYDIA - VALLIANT 345KV CKT 1
2	10G	G08_003	TO->FROM	FPL SWITCH - WOODWARD 138KV CKT 1	133	153	0.12194	100.914	SPP-AEPW-01
2	10G	G08_003	TO->FROM	FPL SWITCH - WOODWARD 138KV CKT 1	133	153	0.12163	105.6677	ELK CITY - FALCON ROAD 138KV CKT 1
2	10G	G08_003	TO->FROM	FPL SWITCH - WOODWARD 138KV CKT 1	133	153	0.12117	100.6564	OKEENE - WATONGA SW 69KV CKT 1
2	10G	G08_003	TO->FROM	FPL SWITCH - WOODWARD 138KV CKT 1	133	153	0.12076	101.2153	OKEENE - WATONGA SW 69KV CKT 1
2	10G	G08_003	TO->FROM	FPL SWITCH - WOODWARD 138KV CKT 1	133	153	0.11977	100.1551	HELENAT2 69.000 - SALINE 69KV CKT 1
2	10G	G08_003	TO->FROM	FPL SWITCH - WOODWARD 138KV CKT 1	133	153	0.11935	100.3264	KNOBHILL - SALINE 69KV CKT 1
2	10G	G08_003	TO->FROM	FPL SWITCH - WOODWARD 138KV CKT 1	133	153	0.11935	100.7181	HELENAT2 69.000 - SALINE 69KV CKT 1
2	10G	G08_003	TO->FROM	FPL SWITCH - WOODWARD 138KV CKT 1	133	153	0.11795	111.6982	WOODRING (WOODRNG2) 345/138/13.8KV TRANSFORMER CKT 1
3	10G	G08_003	TO->FROM	FPL SWITCH - WOODWARD 138KV CKT 1	133	153	0.11754	101.4462	WOODRING (WOODRNG2) 345/138/13.8KV TRANSFORMER CKT 1
2	10G	G08_003	TO->FROM	FPL SWITCH - WOODWARD 138KV CKT 1	133	153	0.11753	112.2775	WOODRING (WOODRNG2) 345/138/13.8KV TRANSFORMER CKT 1
2	10G	G08_003	TO->FROM	FPL SWITCH - WOODWARD 138KV CKT 1	133	153	0.11611	100.1539	DOVER SW - HENESSEY 138KV CKT 1
2	10G	G08_003	TO->FROM	FPL SWITCH - WOODWARD 138KV CKT 1	133	153	0.11569	100.7217	DOVER SW - HENESSEY 138KV CKT 1
1	10G	G08_003	TO->FROM	EL RENO - ROMAN NOSE 138KV CKT 1	133	153	0.06061	120.0742	WWRDEHV7 345.00 (WWDEHV-T2) 345/138/13.8KV TRANSFORMER CKT 2
1	10G	G08_003	TO->FROM	EL RENO - ROMAN NOSE 138KV CKT 1	133	153	0.06061	120.0742	WWRDEHV7 345.00 (WWDEHV-T) 345/138/13.8KV TRANSFORMER CKT 1
1	10G	G08_003	TO->FROM	EL RENO - ROMAN NOSE 138KV CKT 1	133	153	0.05958	133.9436	PP-002
2	10G	G08_003	TO->FROM	WOODWARD - WOODWARD 69KV CKT 1	53	65	0.05798	126.1303	FPL SWITCH - MOORELAND 138KV CKT 1
5	10G	G08_003	TO->FROM	WOODWARD - WOODWARD 69KV CKT 1	53	65	0.05798	101.2144	FPL SWITCH - MOORELAND 138KV CKT 1
2	10G	G08_003	TO->FROM	WOODWARD - WOODWARD 69KV CKT 1	53	65	0.05798	117.8007	FPL SWITCH - WOODWARD 138KV CKT 1
1	10G	G08_003	TO->FROM	EL RENO - ROMAN NOSE 138KV CKT 1	133	153	0.05779	143.439	NORTHWEST - TATONGA EHV 345.00 345KV CKT 1
1	10G	G08_003	TO->FROM	EL RENO - ROMAN NOSE 138KV CKT 1	133	153	0.05779	121.3541	TATONGA EHV 345.00 - WWRDEHV7 345.00 345KV CKT 1
3	10G	G08_003	TO->FROM	WOODWARD - WOODWARD 69KV CKT 1	53	65	0.05778	112.4729	FPL SWITCH - MOORELAND 138KV CKT 1
3	10G	G08_003	TO->FROM	WOODWARD - WOODWARD 69KV CKT 1	53	65	0.05778	103.9867	FPL SWITCH - WOODWARD 138KV CKT 1
5	10G	G08_003	TO->FROM	WOODWARD - WOODWARD 69KV CKT 1	53	65	0.05777	102.9277	FPL SWITCH - MOORELAND 138KV CKT 1
2	10G	G08_003	TO->FROM	WOODWARD - WOODWARD 69KV CKT 1	53	65	0.05777	126.7085	FPL SWITCH - MOORELAND 138KV CKT 1
2	10G	G08_003	TO->FROM	WOODWARD - WOODWARD 69KV CKT 1	53	65	0.05777	118.3787	FPL SWITCH - WOODWARD 138KV CKT 1
1	10G	G08_003	TO->FROM	GLASS MOUNTAIN - MOORELAND 138KV CKT 1	124	124	0.05533	107.029	PP-002
1	10G	G08_003	TO->FROM	EL RENO - ROMAN NOSE 138KV CKT 1	133	153	0.05287	130.2215	PP-004
1	10G	G08_003	TO->FROM	EL RENO - ROMAN NOSE 138KV CKT 1	133	153	0.05178	127.8664	PP-005
1	10G	G08_003	TO->FROM	GLASS MOUNTAIN - MOORELAND 138KV CKT 1	124	124	0.04904	108.7186	NORTHWEST - TATONGA EHV 345.00 345KV CKT 1
1	10G	G08_003	TO->FROM	EL RENO - ROMAN NOSE 138KV CKT 1	133	153	0.04902	120.5753	MOORELAND - MOREWOOD SW 138KV CKT 1
1	10G	G08_003	TO->FROM	EL RENO - ROMAN NOSE 138KV CKT 1	133	153	0.04885	121.6142	IMO TAP - MEN TAP 138KV CKT 1
1	10G	G08_003	TO->FROM	EL RENO - ROMAN NOSE 138KV CKT 1	133	153	0.04885	121.7578	CLEO CORNER - MEN TAP 138KV CKT 1
1	10G	G08_003	TO->FROM	GLASS MOUNTAIN - MOORELAND 138KV CKT 1	124	124	0.04843	102.6543	PP-004
1	10G	G08_003	TO->FROM	EL RENO - ROMAN NOSE 138KV CKT 1	133	153	0.04822	121.5719	CLEO CORNER - GLASS MOUNTAIN 138KV CKT 1
1	10G	G08_003	TO->FROM	EL RENO - ROMAN NOSE 138KV CKT 1	133	153	0.04822	121.6658	GLASS MOUNTAIN - MOORELAND 138KV CKT 1
1	10G	G08_003	TO->FROM	EL RENO - ROMAN NOSE 138KV CKT 1	133	153	0.04812	120.2965	COMANCH5 345.00 - WWRDEHV7 345.00 345KV CKT 1
1	10G	G08_003	TO->FROM	EL RENO - ROMAN NOSE 138KV CKT 1	133	153	0.04812	120.2965	COMANCH5 345.00 - WWRDEHV7 345.00 345KV CKT 2
1	10G	G08_003	TO->FROM	EL RENO - ROMAN NOSE 138KV CKT 1	133	153	0.04806	120.9517	DOVER SW - OKEENE 138KV CKT 1
1	10G	G08_003	TO->FROM	EL RENO - ROMAN NOSE 138KV CKT 1	133	153	0.04799	121.0571	OGE3TERM9
1	10G	G08_003	TO->FROM	EL RENO - ROMAN NOSE 138KV CKT 1	133	153	0.04754	122.6318	TALOGA (TALOGA) 138/69/13.8KV TRANSFORMER CKT 1
1	10G	G08_003	TO->FROM	EL RENO - ROMAN NOSE 138KV CKT 1	133	153	0.0473	120.1707	CEDARDALE - MOORELAND 138KV CKT 1
1	10G	G08_003	TO->FROM	EL RENO - ROMAN NOSE 138KV CKT 1	133	153	0.0473	120.1187	CEDARDALE - OKEENE 138KV CKT 1
1	10G	G08_003	TO->FROM	EL RENO - ROMAN NOSE 138KV CKT 1	133	153	0.04729	121.1443	ELK CITY - RHWIND4 138.00 138KV CKT 1
1	10G	G08_003	TO->FROM	EL RENO - ROMAN NOSE 138KV CKT 1	133	153	0.04716	120.2207	CANTON - TALOGA 69KV CKT 1
1	10G	G08_003	TO->FROM	EL RENO - ROMAN NOSE 138KV CKT 1	133	153	0.04716	120.0299	CANTON - OKEENE 69KV CKT 1

Appendix H

Group Dispatch Scenario	SEASON	SOURCE	DIRECTION	MONTCOMMONNAME	RATEA	RATEB	TDF	LOADING%	CONTNAME
1	10G	G08_003	TO->FROM	EL RENO - ROMAN NOSE 138KV CKT 1	133	153	0.0471	119.8442	MED-LDG5 345.00 - WICHITA 345KV CKT 2
1	10G	G08_003	TO->FROM	EL RENO - ROMAN NOSE 138KV CKT 1	133	153	0.0471	119.8442	MED-LDG5 345.00 - WICHITA 345KV CKT 1
1	10G	G08_003	TO->FROM	EL RENO - ROMAN NOSE 138KV CKT 1	133	153	0.04671	121.6404	G05-15T 345.00 - OKLAUNION 345KV CKT 1
1	10G	G08_003	TO->FROM	EL RENO - ROMAN NOSE 138KV CKT 1	133	153	0.04671	120.3006	G05-15T 345.00 - TUCO INTERCHANGE 345KV CKT 1
1	10G	G08_003	TO->FROM	EL RENO - ROMAN NOSE 138KV CKT 1	133	153	0.04671	126.3177	LAWTON EASTSIDE - OKLAUNION 345KV CKT 1
1	10G	G08_003	TO->FROM	EL RENO - ROMAN NOSE 138KV CKT 1	133	153	0.04671	120.3592	CLINTON JUNCTION - ELK CITY 138KV CKT 1
1	10G	G08_003	TO->FROM	EL RENO - ROMAN NOSE 138KV CKT 1	133	153	0.04659	125.2047	DEWEY - TALOGA 138KV CKT 1
1	10G	G08_003	TO->FROM	EL RENO - ROMAN NOSE 138KV CKT 1	133	153	0.04619	119.6213	WEATHERFORD JCT. - WEATHERFORD SOUTHEAST 138KV CKT 1
1	10G	G08_003	TO->FROM	EL RENO - ROMAN NOSE 138KV CKT 1	133	153	0.04575	115.1864	GEN531447 1-HOLCOMB GENERATOR
1	10G	G08_003	TO->FROM	EL RENO - ROMAN NOSE 138KV CKT 1	133	153	0.04575	114.7148	GEN520922 1-SLEEPING 138.00
1	10G	G08_003	TO->FROM	EL RENO - ROMAN NOSE 138KV CKT 1	133	153	0.04575	111.4377	GEN560183 1-G07-51 0.6000
1	10G	G08_003	TO->FROM	EL RENO - ROMAN NOSE 138KV CKT 1	133	153	0.04575	114.9086	GEN523972 1-HARRINGTON GEN #2 24 KV
1	10G	G08_003	TO->FROM	EL RENO - ROMAN NOSE 138KV CKT 1	133	153	0.04575	104.1375	GEN560152 1-G06-46 0.6000
1	10G	G08_003	TO->FROM	EL RENO - ROMAN NOSE 138KV CKT 1	133	153	0.04575	113.7816	GEN525561 1-TOLK GEN #1 24 KV
1	10G	G08_003	TO->FROM	EL RENO - ROMAN NOSE 138KV CKT 1	133	153	0.04575	114.9165	GEN523971 1-HARRINGTON GEN #1 24 KV
1	10G	G08_003	TO->FROM	EL RENO - ROMAN NOSE 138KV CKT 1	133	153	0.04575	113.3862	GEN560182 1-G07-50 0.6000
1	10G	G08_003	TO->FROM	EL RENO - ROMAN NOSE 138KV CKT 1	133	153	0.04575	114.0849	GEN525562 1-TOLK GEN #2 24 KV
1	10G	G08_003	TO->FROM	EL RENO - ROMAN NOSE 138KV CKT 1	133	153	0.04575	119.9709	GEN520947 1-HUGO1
1	10G	G08_003	TO->FROM	EL RENO - ROMAN NOSE 138KV CKT 1	133	153	0.04575	119.8343	GEN501813 1-RODEMACHER UNIT 3
1	10G	G08_003	TO->FROM	EL RENO - ROMAN NOSE 138KV CKT 1	133	153	0.04575	135.2682	BASE CASE
1	10G	G08_003	TO->FROM	EL RENO - ROMAN NOSE 138KV CKT 1	133	153	0.04575	121.0867	GEN335831 1-RIVERBEND UNIT#1
1	10G	G08_003	TO->FROM	EL RENO - ROMAN NOSE 138KV CKT 1	133	153	0.04575	121.6099	GEN336153 1-WATERFORD UNIT#3
1	10G	G08_003	TO->FROM	EL RENO - ROMAN NOSE 138KV CKT 1	133	153	0.04575	121.8683	GEN336821 1-GRAND GULF UNIT
1	10G	G08_003	TO->FROM	EL RENO - ROMAN NOSE 138KV CKT 1	133	153	0.04575	119.8306	GEN337041 1-GERALD ANDRUS
1	10G	G08_003	TO->FROM	EL RENO - ROMAN NOSE 138KV CKT 1	133	153	0.04575	120.2853	GEN337652 1-WHITE BLUFF UNIT #1
1	10G	G08_003	TO->FROM	EL RENO - ROMAN NOSE 138KV CKT 1	133	153	0.04575	120.2956	GEN337653 1-WHITE BLUFF UNIT #2
1	10G	G08_003	TO->FROM	EL RENO - ROMAN NOSE 138KV CKT 1	133	153	0.04575	120.8183	GEN337910 1-ARKANSAS NUCLEAR ONE UNIT #1
1	10G	G08_003	TO->FROM	EL RENO - ROMAN NOSE 138KV CKT 1	133	153	0.04575	119.9253	GEN509406 1-WELSH #3
1	10G	G08_003	TO->FROM	EL RENO - ROMAN NOSE 138KV CKT 1	133	153	0.04575	120.0456	GEN338146 1-INDEPENDENCE UNIT #2
1	10G	G08_003	TO->FROM	EL RENO - ROMAN NOSE 138KV CKT 1	133	153	0.04575	114.5659	GEN515790 1-FPLWVND2
1	10G	G08_003	TO->FROM	EL RENO - ROMAN NOSE 138KV CKT 1	133	153	0.04575	120.4516	GEN509403 1-PIRKEY GENERATION
1	10G	G08_003	TO->FROM	EL RENO - ROMAN NOSE 138KV CKT 1	133	153	0.04575	119.9252	GEN509404 1-WELSH #1
1	10G	G08_003	TO->FROM	EL RENO - ROMAN NOSE 138KV CKT 1	133	153	0.04575	119.9252	GEN509405 1-WELSH #2
1	10G	G08_003	TO->FROM	EL RENO - ROMAN NOSE 138KV CKT 1	133	153	0.04575	120.0944	GEN515223 1-MUSKOGEE 4G
1	10G	G08_003	TO->FROM	EL RENO - ROMAN NOSE 138KV CKT 1	133	153	0.04575	120.1247	GEN515225 1-MUSKOGEE 5G
1	10G	G08_003	TO->FROM	EL RENO - ROMAN NOSE 138KV CKT 1	133	153	0.04575	120.114	GEN515226 1-MUSKOGEE 6G
1	10G	G08_003	TO->FROM	EL RENO - ROMAN NOSE 138KV CKT 1	133	153	0.04575	115.1337	GEN515364 1-CENT 11 0.6000
1	10G	G08_003	TO->FROM	EL RENO - ROMAN NOSE 138KV CKT 1	133	153	0.04575	115.4783	GEN515397 1-OU SPRT 1 34.500
1	10G	G08_003	TO->FROM	EL RENO - ROMAN NOSE 138KV CKT 1	133	153	0.04575	121.4429	GEN337911 1-ARKANSAS NUCLEAR ONE UNIT #2
1	10G	G08_003	TO->FROM	EL RENO - ROMAN NOSE 138KV CKT 1	133	153	0.04575	115.3827	GEN560221 1-G07-62-1 0.6900
1	10G	G08_003	TO->FROM	EL RENO - ROMAN NOSE 138KV CKT 1	133	153	0.04575	115.3827	GEN560222 1-G07-62-2 0.6900
1	10G	G08_003	TO->FROM	EL RENO - ROMAN NOSE 138KV CKT 1	133	153	0.04466	115.6882	EL RENO - JENSEN TAP 138KV CKT 1
1	10G	G08_003	TO->FROM	EL RENO - ROMAN NOSE 138KV CKT 1	133	153	0.04456	115.4014	CIMARRON - JENSEN TAP 138KV CKT 1
1	10G	G08_003	TO->FROM	EL RENO - ROMAN NOSE 138KV CKT 1	133	153	0.04261	111.6477	CIMARRON - EL RENO 138KV CKT 1
1	10G	G08_003	TO->FROM	EL RENO - ROMAN NOSE 138KV CKT 1	133	153	0.04037	113.9006	FPL SWITCH - MOORELAND 138KV CKT 1
5	10G	G08_003	FROM->TO	HARPER - MILAN TAP 138KV CKT 1	95.6	95.6	0.036	111.8206	PP-005
2	10G	G08_003	TO->FROM	CLEARWATER - MILAN TAP 138KV CKT 1	110	110	0.03597	106.8548	PP-005
2	10G	G08_003	FROM->TO	HARPER - MILAN TAP 138KV CKT 1	95.6	95.6	0.03597	133.1428	PP-005
3	10G	G08_003	TO->FROM	CLEARWATER - MILAN TAP 138KV CKT 1	110	110	0.03592	117.847	PP-005
3	10G	G08_003	FROM->TO	HARPER - MILAN TAP 138KV CKT 1	95.6	95.6	0.03592	145.745	PP-005
3	10G	G08_003	FROM->TO	CLEARWATER - GILL ENERGY CENTER WEST 138KV CKT 1	110	110	0.03592	107.3164	PP-005
1	10G	G08_003	FROM->TO	HARPER - MILAN TAP 138KV CKT 1	95.6	95.6	0.03592	134.1493	PP-005
1	10G	G08_003	TO->FROM	CLEARWATER - MILAN TAP 138KV CKT 1	110	110	0.03592	107.7224	PP-005
5	10G	G08_003	FROM->TO	HARPER - MILAN TAP 138KV CKT 1	95.6	95.6	0.03589	112.455	PP-005
2	10G	G08_003	FROM->TO	HARPER - MILAN TAP 138KV CKT 1	95.6	95.6	0.03585	133.3466	PP-005
2	10G	G08_003	TO->FROM	CLEARWATER - MILAN TAP 138KV CKT 1	110	110	0.03585	107.0316	PP-005
1	10G	G08_003	TO->FROM	EL RENO - ROMAN NOSE 138KV CKT 1	133	153	0.03237	114.4971	IODINE - WWWRDEHV4 138.00 138KV CKT 1
1	10G	G08_003	TO->FROM	EL RENO - ROMAN NOSE 138KV CKT 1	133	153	0.03237	115.2103	DEWEY - IODINE 138KV CKT 1
5	10G	G08_008	FROM->TO	G06-39T 230.00 - POTTER COUNTY INTERCHANGE 230KV CKT 1	319	351	0.16401	103.0404	BUSHLAND INTERCHANGE - POTTER COUNTY INTERCHANGE 230KV CKT 1

Appendix H

Group Dispatch Scenario	SEASON	SOURCE	DIRECTION	MONTCOMMONNAME	RATEA	RATEB	TDF	LOADING%	CONTNAME
5	10G	G08_008	FROM->TO	G06-39T 230.00 - POTTER COUNTY INTERCHANGE 230KV CKT 1	319	351	0.16334	102.4145	BUSHLAND INTERCHANGE - POTTER COUNTY INTERCHANGE 230KV CKT 1
5	10G	G08_008	FROM->TO	BUSHLAND INTERCHANGE - POTTER COUNTY INTERCHANGE 230KV CKT 1	319	351	0.15969	108.6611	G06-39T 230.00 - POTTER COUNTY INTERCHANGE 230KV CKT 1
5	10G	G08_008	FROM->TO	BUSHLAND INTERCHANGE - POTTER COUNTY INTERCHANGE 230KV CKT 1	319	351	0.15928	108.1734	G06-39T 230.00 - POTTER COUNTY INTERCHANGE 230KV CKT 1
5	10G	G08_008	FROM->TO	ELK CITY 230KV (ELKCTY-6) 230/138/13.8KV TRANSFORMER CKT 1	287	287	0.0983	114.1123	LAWTON EASTSIDE - OKLAUNION 345KV CKT 1
5	10G	G08_008	FROM->TO	ELK CITY 230KV (ELKCTY-6) 230/138/13.8KV TRANSFORMER CKT 1	287	287	0.0983	102.82	G05-15T 345.00 - TUCO INTERCHANGE 345KV CKT 1
5	10G	G08_008	FROM->TO	ELK CITY 230KV (ELKCTY-6) 230/138/13.8KV TRANSFORMER CKT 1	287	287	0.0983	105.262	G05-15T 345.00 - OKLAUNION 345KV CKT 1
5	10G	G08_008	FROM->TO	ELK CITY 230KV (ELKCTY-6) 230/138/13.8KV TRANSFORMER CKT 1	287	287	0.0983	112.2883	LAWTON EASTSIDE - OKLAUNION 345KV CKT 1
5	10G	G08_008	FROM->TO	ELK CITY 230KV (ELKCTY-6) 230/138/13.8KV TRANSFORMER CKT 1	287	287	0.0983	103.8508	G05-15T 345.00 - OKLAUNION 345KV CKT 1
5	10G	G08_008	FROM->TO	ELK CITY 230KV (ELKCTY-6) 230/138/13.8KV TRANSFORMER CKT 1	287	287	0.0983	101.4979	G05-15T 345.00 - TUCO INTERCHANGE 345KV CKT 1
2	10G	G08_008	FROM->TO	ELK CITY 230KV (ELKCTY-6) 230/138/13.8KV TRANSFORMER CKT 1	287	287	0.09829	100.3767	LAWTON EASTSIDE - OKLAUNION 345KV CKT 1
2	10G	G08_008	FROM->TO	ELK CITY 230KV (ELKCTY-6) 230/138/13.8KV TRANSFORMER CKT 1	287	287	0.09829	101.5926	LAWTON EASTSIDE - OKLAUNION 345KV CKT 1
5	10G	G08_008	FROM->TO	ELK CITY 230KV (ELKCTY-6) 230/138/13.8KV TRANSFORMER CKT 1	287	287	0.09366	101.8244	G05-15T 345.00 - OKLAUNION 345KV CKT 1
5	10G	G08_008	FROM->TO	ELK CITY 230KV (ELKCTY-6) 230/138/13.8KV TRANSFORMER CKT 1	287	287	0.09366	110.2283	LAWTON EASTSIDE - OKLAUNION 345KV CKT 1
5	10G	G08_008	FROM->TO	ELK CITY 230KV (ELKCTY-6) 230/138/13.8KV TRANSFORMER CKT 1	287	287	0.09366	108.6027	LAWTON EASTSIDE - OKLAUNION 345KV CKT 1
5	10G	G08_008	FROM->TO	ELK CITY 230KV (ELKCTY-6) 230/138/13.8KV TRANSFORMER CKT 1	287	287	0.09366	100.5529	G05-15T 345.00 - OKLAUNION 345KV CKT 1
5	10G	G08_008	FROM->TO	ELK CITY 230KV (ELKCTY-6) 230/138/13.8KV TRANSFORMER CKT 1	287	287	0.07906	105.1352	G05-17T 345.00 - Hitchland Interchange 345KV CKT 1
5	10G	G08_008	FROM->TO	ELK CITY 230KV (ELKCTY-6) 230/138/13.8KV TRANSFORMER CKT 1	287	287	0.07906	103.9259	POTTER COUNTY INTERCHANGE (WAUK 90343-A) 345/230/13.2KV TRANSFORMER CKT 1
5	10G	G08_008	FROM->TO	ELK CITY 230KV (ELKCTY-6) 230/138/13.8KV TRANSFORMER CKT 1	287	287	0.07906	102.5299	POTTER COUNTY INTERCHANGE (WAUK 90343-A) 345/230/13.2KV TRANSFORMER CKT 1
5	10G	G08_008	FROM->TO	ELK CITY 230KV (ELKCTY-6) 230/138/13.8KV TRANSFORMER CKT 1	287	287	0.07906	106.6511	G05-17T 345.00 - Hitchland Interchange 345KV CKT 1
5	10G	G08_008	FROM->TO	ELK CITY 230KV (ELKCTY-6) 230/138/13.8KV TRANSFORMER CKT 1	287	287	0.07906	102.4632	G05-17T 345.00 - POTTER COUNTY INTERCHANGE 345KV CKT 1
5	10G	G08_008	FROM->TO	ELK CITY 230KV (ELKCTY-6) 230/138/13.8KV TRANSFORMER CKT 1	287	287	0.07906	103.8569	G05-17T 345.00 - POTTER COUNTY INTERCHANGE 345KV CKT 1
5	10G	G08_008	FROM->TO	ELK CITY 230KV (ELKCTY-6) 230/138/13.8KV TRANSFORMER CKT 1	287	287	0.078	110.1414	PP-001
5	10G	G08_008	FROM->TO	ELK CITY 230KV (ELKCTY-6) 230/138/13.8KV TRANSFORMER CKT 1	287	287	0.078	111.8999	PP-001
2	10G	G08_008	FROM->TO	ELK CITY 230KV (ELKCTY-6) 230/138/13.8KV TRANSFORMER CKT 1	287	287	0.07799	112.4501	PP-001
2	10G	G08_008	FROM->TO	ELK CITY 230KV (ELKCTY-6) 230/138/13.8KV TRANSFORMER CKT 1	287	287	0.07799	110.6381	PP-001
5	10G	G08_008	FROM->TO	ELK CITY 230KV (ELKCTY-6) 230/138/13.8KV TRANSFORMER CKT 1	287	287	0.07635	109.0949	PP-001
5	10G	G08_008	FROM->TO	ELK CITY 230KV (ELKCTY-6) 230/138/13.8KV TRANSFORMER CKT 1	287	287	0.07635	110.8034	PP-001
2	10G	G08_008	FROM->TO	ELK CITY 230KV (ELKCTY-6) 230/138/13.8KV TRANSFORMER CKT 1	287	287	0.07633	112.7523	PP-001
2	10G	G08_008	FROM->TO	ELK CITY 230KV (ELKCTY-6) 230/138/13.8KV TRANSFORMER CKT 1	287	287	0.07633	110.9247	PP-001
5	10G	G08_008	TO->FROM	FPL SWITCH - WOODWARD 138KV CKT 1	133	153	0.04725	107.8422	PP-002
2	10G	G08_008	TO->FROM	FPL SWITCH - WOODWARD 138KV CKT 1	133	153	0.04723	132.2336	PP-002
5	10G	G08_008	TO->FROM	FPL SWITCH - WOODWARD 138KV CKT 1	133	153	0.04619	106.1716	PP-002
2	10G	G08_008	TO->FROM	FPL SWITCH - WOODWARD 138KV CKT 1	133	153	0.04617	131.6566	PP-002
6	10G	G08_008	TO->FROM	FPL SWITCH - WOODWARD 138KV CKT 1	133	153	0.04255	103.6113	LAWTON EASTSIDE - OKLAUNION 345KV CKT 1
3	10G	G08_008	TO->FROM	FPL SWITCH - WOODWARD 138KV CKT 1	133	153	0.04246	109.0416	LAWTON EASTSIDE - OKLAUNION 345KV CKT 1
5	10G	G08_008	TO->FROM	FPL SWITCH - WOODWARD 138KV CKT 1	133	153	0.04243	106.9611	LAWTON EASTSIDE - OKLAUNION 345KV CKT 1
2	10G	G08_008	TO->FROM	FPL SWITCH - WOODWARD 138KV CKT 1	133	153	0.04241	113.8468	G05-15T 345.00 - TUCO INTERCHANGE 345KV CKT 1
2	10G	G08_008	TO->FROM	FPL SWITCH - WOODWARD 138KV CKT 1	133	153	0.04241	126.9661	LAWTON EASTSIDE - OKLAUNION 345KV CKT 1
2	10G	G08_008	TO->FROM	FPL SWITCH - WOODWARD 138KV CKT 1	133	153	0.04241	116.7903	G05-15T 345.00 - OKLAUNION 345KV CKT 1
5	10G	G08_008	TO->FROM	FPL SWITCH - WOODWARD 138KV CKT 1	133	153	0.04126	105.3803	LAWTON EASTSIDE - OKLAUNION 345KV CKT 1
2	10G	G08_008	TO->FROM	FPL SWITCH - WOODWARD 138KV CKT 1	133	153	0.04125	113.2595	G05-15T 345.00 - TUCO INTERCHANGE 345KV CKT 1
2	10G	G08_008	TO->FROM	FPL SWITCH - WOODWARD 138KV CKT 1	133	153	0.04125	116.1673	G05-15T 345.00 - OKLAUNION 345KV CKT 1
2	10G	G08_008	TO->FROM	FPL SWITCH - WOODWARD 138KV CKT 1	133	153	0.04125	126.1891	LAWTON EASTSIDE - OKLAUNION 345KV CKT 1
6	10G	G08_008	TO->FROM	FPL SWITCH - WOODWARD 138KV CKT 1	133	153	0.03809	112.5493	NORTHWEST - TATONGA EHV 345.00 345KV CKT 1
4	10G	G08_008	TO->FROM	FPL SWITCH - WOODWARD 138KV CKT 1	133	153	0.03801	110.2918	NORTHWEST - TATONGA EHV 345.00 345KV CKT 1
3	10G	G08_008	TO->FROM	FPL SWITCH - WOODWARD 138KV CKT 1	133	153	0.038	131.1963	NORTHWEST - TATONGA EHV 345.00 345KV CKT 1
3	10G	G08_008	TO->FROM	FPL SWITCH - WOODWARD 138KV CKT 1	133	153	0.038	118.1452	TATONGA EHV 345.00 - WWRDEHV7 345.00 345KV CKT 1
5	10G	G08_008	TO->FROM	FPL SWITCH - WOODWARD 138KV CKT 1	133	153	0.03798	122.3248	NORTHWEST - TATONGA EHV 345.00 345KV CKT 1
5	10G	G08_008	TO->FROM	FPL SWITCH - WOODWARD 138KV CKT 1	133	153	0.03798	109.3327	TATONGA EHV 345.00 - WWRDEHV7 345.00 345KV CKT 1
2	10G	G08_008	TO->FROM	FPL SWITCH - WOODWARD 138KV CKT 1	133	153	0.03796	151.4358	NORTHWEST - TATONGA EHV 345.00 345KV CKT 1
2	10G	G08_008	TO->FROM	FPL SWITCH - WOODWARD 138KV CKT 1	133	153	0.03796	138.5764	TATONGA EHV 345.00 - WWRDEHV7 345.00 345KV CKT 1
6	10G	G08_008	TO->FROM	FPL SWITCH - WOODWARD 138KV CKT 1	133	153	0.03782	100.7719	PP-004
3	10G	G08_008	TO->FROM	FPL SWITCH - WOODWARD 138KV CKT 1	133	153	0.03772	117.4055	PP-004
5	10G	G08_008	TO->FROM	FPL SWITCH - WOODWARD 138KV CKT 1	133	153	0.03769	110.271	PP-004
2	10G	G08_008	TO->FROM	FPL SWITCH - WOODWARD 138KV CKT 1	133	153	0.03766	139.0566	PP-004

Group Dispatch Scenario	SEASON	SOURCE	DIRECTION	MONTCOMMONNAME	RATEA	RATEB	TDF	LOADING%	CONTNAME
5	10G	G08_008	TO->FROM	FPL SWITCH - WOODWARD 138KV CKT 1	133	153	0.03678	107.484	TATONGA EHV 345.00 - WWRDEHV7 345.00 345KV CKT 1
5	10G	G08_008	TO->FROM	FPL SWITCH - WOODWARD 138KV CKT 1	133	153	0.03678	120.5301	NORTHWEST - TATONGA EHV 345.00 345KV CKT 1
2	10G	G08_008	TO->FROM	FPL SWITCH - WOODWARD 138KV CKT 1	133	153	0.03677	150.9249	NORTHWEST - TATONGA EHV 345.00 345KV CKT 1
2	10G	G08_008	TO->FROM	FPL SWITCH - WOODWARD 138KV CKT 1	133	153	0.03677	138.0116	TATONGA EHV 345.00 - WWRDEHV7 345.00 345KV CKT 1
5	10G	G08_008	TO->FROM	FPL SWITCH - WOODWARD 138KV CKT 1	133	153	0.03658	108.529	PP-004
2	10G	G08_008	TO->FROM	FPL SWITCH - WOODWARD 138KV CKT 1	133	153	0.03656	138.522	PP-004
3	10G	G08_008	TO->FROM	FPL SWITCH - WOODWARD 138KV CKT 1	133	153	0.03554	118.0589	PP-005
5	10G	G08_008	TO->FROM	FPL SWITCH - WOODWARD 138KV CKT 1	133	153	0.03551	104.5751	PP-005
2	10G	G08_008	TO->FROM	FPL SWITCH - WOODWARD 138KV CKT 1	133	153	0.03549	132.677	PP-005
5	10G	G08_008	TO->FROM	FPL SWITCH - WOODWARD 138KV CKT 1	133	153	0.03443	102.9974	SPP-SWPS-03B
5	10G	G08_008	TO->FROM	FPL SWITCH - WOODWARD 138KV CKT 1	133	153	0.03442	102.8339	PP-005
2	10G	G08_008	TO->FROM	FPL SWITCH - WOODWARD 138KV CKT 1	133	153	0.03441	121.8661	SPP-SWPS-03B
2	10G	G08_008	TO->FROM	FPL SWITCH - WOODWARD 138KV CKT 1	133	153	0.03439	132.1268	PP-005
3	10G	G08_008	TO->FROM	FPL SWITCH - WOODWARD 138KV CKT 1	133	153	0.0343	109.9459	BECKHAM CO 230.00 - ELK CITY 230KV 230KV CKT 1
3	10G	G08_008	TO->FROM	FPL SWITCH - WOODWARD 138KV CKT 1	133	153	0.0343	109.9407	ELK CITY 230KV (ELKCTY-6) 230/138/13.8KV TRANSFORMER CKT 1
5	10G	G08_008	TO->FROM	FPL SWITCH - WOODWARD 138KV CKT 1	133	153	0.03426	102.4097	BECKHAM CO 230.00 - STATELINE INTERCHANGE 230KV CKT 1
5	10G	G08_008	TO->FROM	FPL SWITCH - WOODWARD 138KV CKT 1	133	153	0.03426	102.4427	GRAPEVINE INTERCHANGE - STATELINE INTERCHANGE 230KV CKT 1
5	10G	G08_008	TO->FROM	FPL SWITCH - WOODWARD 138KV CKT 1	133	153	0.03426	113.4768	ELK CITY 230KV (ELKCTY-6) 230/138/13.8KV TRANSFORMER CKT 1
5	10G	G08_008	TO->FROM	FPL SWITCH - WOODWARD 138KV CKT 1	133	153	0.03426	113.4847	BECKHAM CO 230.00 - ELK CITY 230KV 230KV CKT 1
2	10G	G08_008	TO->FROM	FPL SWITCH - WOODWARD 138KV CKT 1	133	153	0.03424	120.9754	GRAPEVINE INTERCHANGE - STATELINE INTERCHANGE 230KV CKT 1
2	10G	G08_008	TO->FROM	FPL SWITCH - WOODWARD 138KV CKT 1	133	153	0.03424	131.8642	BECKHAM CO 230.00 - ELK CITY 230KV 230KV CKT 1
2	10G	G08_008	TO->FROM	FPL SWITCH - WOODWARD 138KV CKT 1	133	153	0.03424	120.9478	BECKHAM CO 230.00 - STATELINE INTERCHANGE 230KV CKT 1
2	10G	G08_008	TO->FROM	FPL SWITCH - WOODWARD 138KV CKT 1	133	153	0.03424	131.8555	ELK CITY 230KV (ELKCTY-6) 230/138/13.8KV TRANSFORMER CKT 1
5	10G	G08_008	TO->FROM	FPL SWITCH - WOODWARD 138KV CKT 1	133	153	0.03392	102.2629	SPP-SWPS-03B
2	10G	G08_008	TO->FROM	FPL SWITCH - WOODWARD 138KV CKT 1	133	153	0.03391	121.5565	SPP-SWPS-03B
5	10G	G08_008	TO->FROM	FPL SWITCH - WOODWARD 138KV CKT 1	133	153	0.03374	112.6639	BECKHAM CO 230.00 - ELK CITY 230KV 230KV CKT 1
5	10G	G08_008	TO->FROM	FPL SWITCH - WOODWARD 138KV CKT 1	133	153	0.03374	112.6557	ELK CITY 230KV (ELKCTY-6) 230/138/13.8KV TRANSFORMER CKT 1
5	10G	G08_008	TO->FROM	FPL SWITCH - WOODWARD 138KV CKT 1	133	153	0.03374	101.6593	GRAPEVINE INTERCHANGE - STATELINE INTERCHANGE 230KV CKT 1
5	10G	G08_008	TO->FROM	FPL SWITCH - WOODWARD 138KV CKT 1	133	153	0.03374	101.6188	BECKHAM CO 230.00 - STATELINE INTERCHANGE 230KV CKT 1
2	10G	G08_008	TO->FROM	FPL SWITCH - WOODWARD 138KV CKT 1	133	153	0.03373	131.4615	ELK CITY 230KV (ELKCTY-6) 230/138/13.8KV TRANSFORMER CKT 1
2	10G	G08_008	TO->FROM	FPL SWITCH - WOODWARD 138KV CKT 1	133	153	0.03373	120.6768	BECKHAM CO 230.00 - STATELINE INTERCHANGE 230KV CKT 1
2	10G	G08_008	TO->FROM	FPL SWITCH - WOODWARD 138KV CKT 1	133	153	0.03373	120.7068	GRAPEVINE INTERCHANGE - STATELINE INTERCHANGE 230KV CKT 1
2	10G	G08_008	TO->FROM	FPL SWITCH - WOODWARD 138KV CKT 1	133	153	0.03373	131.4643	BECKHAM CO 230.00 - ELK CITY 230KV 230KV CKT 1
5	10G	G08_008	FROM->TO	BUSHLAND INTERCHANGE - COULTER INTERCHANGE 115KV CKT 1	139	160	0.03227	102.6839	BUSHLAND INTERCHANGE - POTTER COUNTY INTERCHANGE 230KV CKT 1
5	10G	G08_008	FROM->TO	BUSHLAND INTERCHANGE - COULTER INTERCHANGE 115KV CKT 1	139	160	0.03136	101.1488	BUSHLAND INTERCHANGE - POTTER COUNTY INTERCHANGE 230KV CKT 1
5	10G	G08_009	FROM->TO	ELK CITY 230KV (ELKCTY-6) 230/138/13.8KV TRANSFORMER CKT 1	287	287	0.10667	114.1123	LAWTON EASTSIDE - OKLAUNION 345KV CKT 1
5	10G	G08_009	FROM->TO	ELK CITY 230KV (ELKCTY-6) 230/138/13.8KV TRANSFORMER CKT 1	287	287	0.10667	112.2883	LAWTON EASTSIDE - OKLAUNION 345KV CKT 1
5	10G	G08_009	FROM->TO	ELK CITY 230KV (ELKCTY-6) 230/138/13.8KV TRANSFORMER CKT 1	287	287	0.10667	105.262	G05-15T 345.00 - OKLAUNION 345KV CKT 1
5	10G	G08_009	FROM->TO	ELK CITY 230KV (ELKCTY-6) 230/138/13.8KV TRANSFORMER CKT 1	287	287	0.10667	103.8508	G05-15T 345.00 - OKLAUNION 345KV CKT 1
5	10G	G08_009	FROM->TO	ELK CITY 230KV (ELKCTY-6) 230/138/13.8KV TRANSFORMER CKT 1	287	287	0.10667	101.4979	G05-15T 345.00 - TUOCO INTERCHANGE 345KV CKT 1
5	10G	G08_009	FROM->TO	ELK CITY 230KV (ELKCTY-6) 230/138/13.8KV TRANSFORMER CKT 1	287	287	0.10667	102.82	G05-15T 345.00 - TUOCO INTERCHANGE 345KV CKT 1
2	10G	G08_009	FROM->TO	ELK CITY 230KV (ELKCTY-6) 230/138/13.8KV TRANSFORMER CKT 1	287	287	0.10666	100.3767	LAWTON EASTSIDE - OKLAUNION 345KV CKT 1
2	10G	G08_009	FROM->TO	ELK CITY 230KV (ELKCTY-6) 230/138/13.8KV TRANSFORMER CKT 1	287	287	0.10666	101.5926	LAWTON EASTSIDE - OKLAUNION 345KV CKT 1
5	10G	G08_009	FROM->TO	ELK CITY 230KV (ELKCTY-6) 230/138/13.8KV TRANSFORMER CKT 1	287	287	0.10153	101.8244	G05-15T 345.00 - OKLAUNION 345KV CKT 1
5	10G	G08_009	FROM->TO	ELK CITY 230KV (ELKCTY-6) 230/138/13.8KV TRANSFORMER CKT 1	287	287	0.10153	100.5529	G05-15T 345.00 - OKLAUNION 345KV CKT 1
5	10G	G08_009	FROM->TO	ELK CITY 230KV (ELKCTY-6) 230/138/13.8KV TRANSFORMER CKT 1	287	287	0.10153	110.2283	LAWTON EASTSIDE - OKLAUNION 345KV CKT 1
5	10G	G08_009	FROM->TO	ELK CITY 230KV (ELKCTY-6) 230/138/13.8KV TRANSFORMER CKT 1	287	287	0.10153	108.6027	LAWTON EASTSIDE - OKLAUNION 345KV CKT 1

Appendix H

Group Dispatch Scenario	SEASON	SOURCE	DIRECTION	MONTCOMMONNAME	RATEA	RATEB	TDF	LOADING%	CONTNAME
5	10G	G08_009	FROM->TO	ELK CITY 230KV (ELKCTY-6) 230/138/13.8KV TRANSFORMER CKT 1	287	287	0.097	102.4632	G05-17T 345.00 - POTTER COUNTY INTERCHANGE 345KV CKT 1
5	10G	G08_009	FROM->TO	ELK CITY 230KV (ELKCTY-6) 230/138/13.8KV TRANSFORMER CKT 1	287	287	0.097	103.8569	G05-17T 345.00 - POTTER COUNTY INTERCHANGE 345KV CKT 1
5	10G	G08_009	FROM->TO	ELK CITY 230KV (ELKCTY-6) 230/138/13.8KV TRANSFORMER CKT 1	287	287	0.097	106.6511	G05-17T 345.00 - Hitchland Interchange 345KV CKT 1
5	10G	G08_009	FROM->TO	ELK CITY 230KV (ELKCTY-6) 230/138/13.8KV TRANSFORMER CKT 1	287	287	0.097	103.9259	POTTER COUNTY INTERCHANGE (WAUK 90343-A) 345/230/13.2KV TRANSFORMER CKT 1
5	10G	G08_009	FROM->TO	ELK CITY 230KV (ELKCTY-6) 230/138/13.8KV TRANSFORMER CKT 1	287	287	0.097	105.1352	G05-17T 345.00 - Hitchland Interchange 345KV CKT 1
5	10G	G08_009	FROM->TO	ELK CITY 230KV (ELKCTY-6) 230/138/13.8KV TRANSFORMER CKT 1	287	287	0.097	102.5299	POTTER COUNTY INTERCHANGE (WAUK 90343-A) 345/230/13.2KV TRANSFORMER CKT 1
5	10G	G08_009	FROM->TO	ELK CITY 230KV (ELKCTY-6) 230/138/13.8KV TRANSFORMER CKT 1	287	287	0.09693	110.1414	PP-001
5	10G	G08_009	FROM->TO	ELK CITY 230KV (ELKCTY-6) 230/138/13.8KV TRANSFORMER CKT 1	287	287	0.09693	111.8999	PP-001
2	10G	G08_009	FROM->TO	ELK CITY 230KV (ELKCTY-6) 230/138/13.8KV TRANSFORMER CKT 1	287	287	0.09692	112.4501	PP-001
2	10G	G08_009	FROM->TO	ELK CITY 230KV (ELKCTY-6) 230/138/13.8KV TRANSFORMER CKT 1	287	287	0.09692	110.6381	PP-001
5	10G	G08_009	FROM->TO	ELK CITY 230KV (ELKCTY-6) 230/138/13.8KV TRANSFORMER CKT 1	287	287	0.09509	110.8034	PP-001
5	10G	G08_009	FROM->TO	ELK CITY 230KV (ELKCTY-6) 230/138/13.8KV TRANSFORMER CKT 1	287	287	0.09509	109.0949	PP-001
2	10G	G08_009	FROM->TO	ELK CITY 230KV (ELKCTY-6) 230/138/13.8KV TRANSFORMER CKT 1	287	287	0.09507	110.9247	PP-001
2	10G	G08_009	FROM->TO	ELK CITY 230KV (ELKCTY-6) 230/138/13.8KV TRANSFORMER CKT 1	287	287	0.09507	112.7523	PP-001
20	14WP	G08_009	FROM->TO	OASIS INTERCHANGE 230/115KV TRANSFORMER CKT 1	248	285	0.0809	108.2475	ROOSEVELT COUNTY INTERCHANGE 230/115KV TRANSFORMER CKT 1
20	14WP	G08_009	FROM->TO	ROOSEVELT COUNTY INTERCHANGE 230/115KV TRANSFORMER CK	252	289.8	0.06708	110.4665	OASIS INTERCHANGE 230/115KV TRANSFORMER CKT 1
5	10G	G08_009	FROM->TO	BUSHLAND INTERCHANGE - COULTER INTERCHANGE 115KV CKT 1	139	160	0.05856	102.6839	BUSHLAND INTERCHANGE - POTTER COUNTY INTERCHANGE 230KV CKT 1
5	10G	G08_009	FROM->TO	BUSHLAND INTERCHANGE - COULTER INTERCHANGE 115KV CKT 1	139	160	0.05725	101.1488	BUSHLAND INTERCHANGE - POTTER COUNTY INTERCHANGE 230KV CKT 1
5	10G	G08_009	TO->FROM	FPL SWITCH - WOODWARD 138KV CKT 1	133	153	0.04719	107.8422	PP-002
2	10G	G08_009	TO->FROM	FPL SWITCH - WOODWARD 138KV CKT 1	133	153	0.04717	132.2336	PP-002
5	10G	G08_009	TO->FROM	FPL SWITCH - WOODWARD 138KV CKT 1	133	153	0.0459	106.1716	PP-002
2	10G	G08_009	TO->FROM	FPL SWITCH - WOODWARD 138KV CKT 1	133	153	0.04589	131.6566	PP-002
6	10G	G08_009	TO->FROM	FPL SWITCH - WOODWARD 138KV CKT 1	133	153	0.03985	103.6113	LAWTON EASTSIDE - OKLAUNION 345KV CKT 1
3	10G	G08_009	TO->FROM	FPL SWITCH - WOODWARD 138KV CKT 1	133	153	0.03977	109.0416	LAWTON EASTSIDE - OKLAUNION 345KV CKT 1
5	10G	G08_009	TO->FROM	FPL SWITCH - WOODWARD 138KV CKT 1	133	153	0.03973	106.9611	LAWTON EASTSIDE - OKLAUNION 345KV CKT 1
2	10G	G08_009	TO->FROM	FPL SWITCH - WOODWARD 138KV CKT 1	133	153	0.03972	113.8468	G05-15T 345.00 - TUCO INTERCHANGE 345KV CKT 1
2	10G	G08_009	TO->FROM	FPL SWITCH - WOODWARD 138KV CKT 1	133	153	0.03972	126.9661	LAWTON EASTSIDE - OKLAUNION 345KV CKT 1
2	10G	G08_009	TO->FROM	FPL SWITCH - WOODWARD 138KV CKT 1	133	153	0.03972	116.7903	G05-15T 345.00 - OKLAUNION 345KV CKT 1
6	10G	G08_009	TO->FROM	FPL SWITCH - WOODWARD 138KV CKT 1	133	153	0.03916	112.5493	NORTHWEST - TATONGA EHV 345.00 345KV CKT 1
4	10G	G08_009	TO->FROM	FPL SWITCH - WOODWARD 138KV CKT 1	133	153	0.03907	110.2918	NORTHWEST - TATONGA EHV 345.00 345KV CKT 1
3	10G	G08_009	TO->FROM	FPL SWITCH - WOODWARD 138KV CKT 1	133	153	0.03906	131.1963	NORTHWEST - TATONGA EHV 345.00 345KV CKT 1
3	10G	G08_009	TO->FROM	FPL SWITCH - WOODWARD 138KV CKT 1	133	153	0.03906	118.1452	TATONGA EHV 345.00 - WWRDEHV7 345.00 345KV CKT 1
5	10G	G08_009	TO->FROM	FPL SWITCH - WOODWARD 138KV CKT 1	133	153	0.03904	122.3248	NORTHWEST - TATONGA EHV 345.00 345KV CKT 1
5	10G	G08_009	TO->FROM	FPL SWITCH - WOODWARD 138KV CKT 1	133	153	0.03904	109.3327	TATONGA EHV 345.00 - WWRDEHV7 345.00 345KV CKT 1
2	10G	G08_009	TO->FROM	FPL SWITCH - WOODWARD 138KV CKT 1	133	153	0.03902	138.5764	TATONGA EHV 345.00 - WWRDEHV7 345.00 345KV CKT 1
2	10G	G08_009	TO->FROM	FPL SWITCH - WOODWARD 138KV CKT 1	133	153	0.03902	151.4358	NORTHWEST - TATONGA EHV 345.00 345KV CKT 1
6	10G	G08_009	TO->FROM	FPL SWITCH - WOODWARD 138KV CKT 1	133	153	0.03849	100.7719	PP-004
5	10G	G08_009	TO->FROM	FPL SWITCH - WOODWARD 138KV CKT 1	133	153	0.03845	105.3803	LAWTON EASTSIDE - OKLAUNION 345KV CKT 1
2	10G	G08_009	TO->FROM	FPL SWITCH - WOODWARD 138KV CKT 1	133	153	0.03844	113.2595	G05-15T 345.00 - TUCO INTERCHANGE 345KV CKT 1
2	10G	G08_009	TO->FROM	FPL SWITCH - WOODWARD 138KV CKT 1	133	153	0.03844	126.1891	LAWTON EASTSIDE - OKLAUNION 345KV CKT 1
2	10G	G08_009	TO->FROM	FPL SWITCH - WOODWARD 138KV CKT 1	133	153	0.03844	116.1673	G05-15T 345.00 - OKLAUNION 345KV CKT 1
3	10G	G08_009	TO->FROM	FPL SWITCH - WOODWARD 138KV CKT 1	133	153	0.03839	117.4055	PP-004
5	10G	G08_009	TO->FROM	FPL SWITCH - WOODWARD 138KV CKT 1	133	153	0.03836	110.271	PP-004
2	10G	G08_009	TO->FROM	FPL SWITCH - WOODWARD 138KV CKT 1	133	153	0.03833	139.0566	PP-004
5	10G	G08_009	TO->FROM	FPL SWITCH - WOODWARD 138KV CKT 1	133	153	0.03758	107.484	TATONGA EHV 345.00 - WWRDEHV7 345.00 345KV CKT 1
5	10G	G08_009	TO->FROM	FPL SWITCH - WOODWARD 138KV CKT 1	133	153	0.03758	120.5301	NORTHWEST - TATONGA EHV 345.00 345KV CKT 1
2	10G	G08_009	TO->FROM	FPL SWITCH - WOODWARD 138KV CKT 1	133	153	0.03757	138.0116	TATONGA EHV 345.00 - WWRDEHV7 345.00 345KV CKT 1
2	10G	G08_009	TO->FROM	FPL SWITCH - WOODWARD 138KV CKT 1	133	153	0.03757	150.9249	NORTHWEST - TATONGA EHV 345.00 345KV CKT 1
5	10G	G08_009	TO->FROM	FPL SWITCH - WOODWARD 138KV CKT 1	133	153	0.03711	102.9974	SPP-SWPS-03B
2	10G	G08_009	TO->FROM	FPL SWITCH - WOODWARD 138KV CKT 1	133	153	0.03711	121.8661	SPP-SWPS-03B
5	10G	G08_009	TO->FROM	FPL SWITCH - WOODWARD 138KV CKT 1	133	153	0.03701	108.529	PP-004
2	10G	G08_009	TO->FROM	FPL SWITCH - WOODWARD 138KV CKT 1	133	153	0.03699	138.522	PP-004
3	10G	G08_009	TO->FROM	FPL SWITCH - WOODWARD 138KV CKT 1	133	153	0.03694	109.9459	BECKHAM CO 230.00 - ELK CITY 230KV 230KV CKT 1
3	10G	G08_009	TO->FROM	FPL SWITCH - WOODWARD 138KV CKT 1	133	153	0.03694	109.9407	ELK CITY 230KV (ELKCTY-6) 230/138/13.8KV TRANSFORMER CKT 1

Appendix H

Group Dispatch Scenario	SEASON	SOURCE	DIRECTION	MONTCOMMONNAME	RATEA	RATEB	TDF	LOADING%	CONTNAME
5	10G	G08_009	TO->FROM	FPL SWITCH - WOODWARD 138KV CKT 1	133	153	0.0369	102.4097	BECKHAM CO 230.00 - STATELINE INTERCHANGE 230KV CKT 1
5	10G	G08_009	TO->FROM	FPL SWITCH - WOODWARD 138KV CKT 1	133	153	0.0369	113.4768	ELK CITY 230KV (ELKCTY-6) 230/138/13.8KV TRANSFORMER CKT 1
5	10G	G08_009	TO->FROM	FPL SWITCH - WOODWARD 138KV CKT 1	133	153	0.0369	102.4427	GRAPEVINE INTERCHANGE - STATELINE INTERCHANGE 230KV CKT 1
5	10G	G08_009	TO->FROM	FPL SWITCH - WOODWARD 138KV CKT 1	133	153	0.0369	113.4847	BECKHAM CO 230.00 - ELK CITY 230KV 230KV CKT 1
2	10G	G08_009	TO->FROM	FPL SWITCH - WOODWARD 138KV CKT 1	133	153	0.03689	131.8642	BECKHAM CO 230.00 - ELK CITY 230KV 230KV CKT 1
2	10G	G08_009	TO->FROM	FPL SWITCH - WOODWARD 138KV CKT 1	133	153	0.03689	120.9478	BECKHAM CO 230.00 - STATELINE INTERCHANGE 230KV CKT 1
2	10G	G08_009	TO->FROM	FPL SWITCH - WOODWARD 138KV CKT 1	133	153	0.03689	131.8555	ELK CITY 230KV (ELKCTY-6) 230/138/13.8KV TRANSFORMER CKT 1
2	10G	G08_009	TO->FROM	FPL SWITCH - WOODWARD 138KV CKT 1	133	153	0.03689	120.9754	GRAPEVINE INTERCHANGE - STATELINE INTERCHANGE 230KV CKT 1
5	10G	G08_009	TO->FROM	FPL SWITCH - WOODWARD 138KV CKT 1	133	153	0.03649	102.2629	SPP-SWPS-03B
2	10G	G08_009	TO->FROM	FPL SWITCH - WOODWARD 138KV CKT 1	133	153	0.03648	121.5565	SPP-SWPS-03B
5	10G	G08_009	TO->FROM	FPL SWITCH - WOODWARD 138KV CKT 1	133	153	0.03627	112.6557	ELK CITY 230KV (ELKCTY-6) 230/138/13.8KV TRANSFORMER CKT 1
5	10G	G08_009	TO->FROM	FPL SWITCH - WOODWARD 138KV CKT 1	133	153	0.03627	101.6593	GRAPEVINE INTERCHANGE - STATELINE INTERCHANGE 230KV CKT 1
5	10G	G08_009	TO->FROM	FPL SWITCH - WOODWARD 138KV CKT 1	133	153	0.03627	101.6188	BECKHAM CO 230.00 - STATELINE INTERCHANGE 230KV CKT 1
5	10G	G08_009	TO->FROM	FPL SWITCH - WOODWARD 138KV CKT 1	133	153	0.03627	112.6639	BECKHAM CO 230.00 - ELK CITY 230KV 230KV CKT 1
2	10G	G08_009	TO->FROM	FPL SWITCH - WOODWARD 138KV CKT 1	133	153	0.03626	131.4615	ELK CITY 230KV (ELKCTY-6) 230/138/13.8KV TRANSFORMER CKT 1
2	10G	G08_009	TO->FROM	FPL SWITCH - WOODWARD 138KV CKT 1	133	153	0.03626	120.6768	BECKHAM CO 230.00 - STATELINE INTERCHANGE 230KV CKT 1
2	10G	G08_009	TO->FROM	FPL SWITCH - WOODWARD 138KV CKT 1	133	153	0.03626	120.7068	GRAPEVINE INTERCHANGE - STATELINE INTERCHANGE 230KV CKT 1
2	10G	G08_009	TO->FROM	FPL SWITCH - WOODWARD 138KV CKT 1	133	153	0.03626	131.4643	BECKHAM CO 230.00 - ELK CITY 230KV 230KV CKT 1
3	10G	G08_009	TO->FROM	FPL SWITCH - WOODWARD 138KV CKT 1	133	153	0.03616	118.0589	PP-005
5	10G	G08_009	TO->FROM	FPL SWITCH - WOODWARD 138KV CKT 1	133	153	0.03614	104.5751	PP-005
2	10G	G08_009	TO->FROM	FPL SWITCH - WOODWARD 138KV CKT 1	133	153	0.03611	132.677	PP-005
5	10G	G08_009	TO->FROM	FPL SWITCH - WOODWARD 138KV CKT 1	133	153	0.0348	102.8339	PP-005
2	10G	G08_009	TO->FROM	FPL SWITCH - WOODWARD 138KV CKT 1	133	153	0.03478	132.1268	PP-005
2	10G	G08_009	TO->FROM	FPL SWITCH - WOODWARD 138KV CKT 1	133	153	0.03043	116.2812	GRAPEVINE INTERCHANGE - NICHOLS STATION 230KV CKT 1
2	10G	G08_009	TO->FROM	FPL SWITCH - WOODWARD 138KV CKT 1	133	153	0.02947	115.7736	GRAPEVINE INTERCHANGE - NICHOLS STATION 230KV CKT 1
2	10G	G08_013	FROM->TO	LAWEASOKLUNI	425	425	0.03935	111.3	BASE CASE
5	10G	G08_013	FROM->TO	LAWEASOKLUNI	425	425	0.03928	122.1	BASE CASE
2	10G	G08_013	FROM->TO	LAWEASOKLUNI	425	425	0.03866	110.7	BASE CASE
5	10G	G08_013	FROM->TO	LAWEASOKLUNI	425	425	0.03856	120.5	BASE CASE
6	10G	G08_013	FROM->TO	LAWEASOKLUNI	425	425	0.03782	128.6	BASE CASE
5	10G	G08_014	FROM->TO	ELK CITY 230KV (ELKCTY-6) 230/138/13.8KV TRANSFORMER CKT 1	287	287	0.08925	105.262	G05-15T 345.00 - OKLAUNION 345KV CKT 1
5	10G	G08_014	FROM->TO	ELK CITY 230KV (ELKCTY-6) 230/138/13.8KV TRANSFORMER CKT 1	287	287	0.08925	114.1123	LAWTON EASTSIDE - OKLAUNION 345KV CKT 1
5	10G	G08_014	FROM->TO	ELK CITY 230KV (ELKCTY-6) 230/138/13.8KV TRANSFORMER CKT 1	287	287	0.08925	103.8508	G05-15T 345.00 - OKLAUNION 345KV CKT 1
5	10G	G08_014	FROM->TO	ELK CITY 230KV (ELKCTY-6) 230/138/13.8KV TRANSFORMER CKT 1	287	287	0.08925	112.2883	LAWTON EASTSIDE - OKLAUNION 345KV CKT 1
2	10G	G08_014	FROM->TO	ELK CITY 230KV (ELKCTY-6) 230/138/13.8KV TRANSFORMER CKT 1	287	287	0.08924	101.5926	LAWTON EASTSIDE - OKLAUNION 345KV CKT 1
2	10G	G08_014	FROM->TO	ELK CITY 230KV (ELKCTY-6) 230/138/13.8KV TRANSFORMER CKT 1	287	287	0.08924	100.3767	LAWTON EASTSIDE - OKLAUNION 345KV CKT 1
5	10G	G08_014	FROM->TO	G06-39T 230.00 - POTTER COUNTY INTERCHANGE 230KV CKT 1	319	351	0.08664	103.0404	BUSHLAND INTERCHANGE - POTTER COUNTY INTERCHANGE 230KV CKT 1
5	10G	G08_014	FROM->TO	G06-39T 230.00 - POTTER COUNTY INTERCHANGE 230KV CKT 1	319	351	0.08585	102.4145	BUSHLAND INTERCHANGE - POTTER COUNTY INTERCHANGE 230KV CKT 1
5	10G	G08_014	FROM->TO	ELK CITY 230KV (ELKCTY-6) 230/138/13.8KV TRANSFORMER CKT 1	287	287	0.08524	101.8244	G05-15T 345.00 - OKLAUNION 345KV CKT 1
5	10G	G08_014	FROM->TO	ELK CITY 230KV (ELKCTY-6) 230/138/13.8KV TRANSFORMER CKT 1	287	287	0.08524	100.5529	G05-15T 345.00 - OKLAUNION 345KV CKT 1
5	10G	G08_014	FROM->TO	ELK CITY 230KV (ELKCTY-6) 230/138/13.8KV TRANSFORMER CKT 1	287	287	0.08524	108.6027	LAWTON EASTSIDE - OKLAUNION 345KV CKT 1
5	10G	G08_014	FROM->TO	ELK CITY 230KV (ELKCTY-6) 230/138/13.8KV TRANSFORMER CKT 1	287	287	0.08524	110.2283	LAWTON EASTSIDE - OKLAUNION 345KV CKT 1
5	10G	G08_014	FROM->TO	BUSHLAND INTERCHANGE - POTTER COUNTY INTERCHANGE 230KV	319	351	0.085	108.6611	G06-39T 230.00 - POTTER COUNTY INTERCHANGE 230KV CKT 1
5	10G	G08_014	FROM->TO	BUSHLAND INTERCHANGE - POTTER COUNTY INTERCHANGE 230KV	319	351	0.08439	108.1734	G06-39T 230.00 - POTTER COUNTY INTERCHANGE 230KV CKT 1

Appendix H

Group Dispatch Scenario	SEASON	SOURCE	DIRECTION	MONTCOMMONNAME	RATEA	RATEB	TDF	LOADING%	CONTNAME
6	10G	G08_014	TO->FROM	FPL SWITCH - WOODWARD 138KV CKT 1	133	153	0.04538	103.6113	LAWTON EASTSIDE - OKLAUNION 345KV CKT 1
3	10G	G08_014	TO->FROM	FPL SWITCH - WOODWARD 138KV CKT 1	133	153	0.0453	109.0416	LAWTON EASTSIDE - OKLAUNION 345KV CKT 1
5	10G	G08_014	TO->FROM	FPL SWITCH - WOODWARD 138KV CKT 1	133	153	0.04526	106.9611	LAWTON EASTSIDE - OKLAUNION 345KV CKT 1
2	10G	G08_014	TO->FROM	FPL SWITCH - WOODWARD 138KV CKT 1	133	153	0.04524	116.7903	G05-15T 345.00 - OKLAUNION 345KV CKT 1
2	10G	G08_014	TO->FROM	FPL SWITCH - WOODWARD 138KV CKT 1	133	153	0.04524	126.9661	LAWTON EASTSIDE - OKLAUNION 345KV CKT 1
5	10G	G08_014	TO->FROM	FPL SWITCH - WOODWARD 138KV CKT 1	133	153	0.04426	105.3803	LAWTON EASTSIDE - OKLAUNION 345KV CKT 1
2	10G	G08_014	TO->FROM	FPL SWITCH - WOODWARD 138KV CKT 1	133	153	0.04424	116.1673	G05-15T 345.00 - OKLAUNION 345KV CKT 1
2	10G	G08_014	TO->FROM	FPL SWITCH - WOODWARD 138KV CKT 1	133	153	0.04424	126.1891	LAWTON EASTSIDE - OKLAUNION 345KV CKT 1
5	10G	G08_014	FROM->TO	ELK CITY 230KV (ELKCTY-6) 230/138/13.8KV TRANSFORMER CKT 1	287	287	0.0436	106.6511	G05-17T 345.00 - Hitchland Interchange 345KV CKT 1
5	10G	G08_014	FROM->TO	ELK CITY 230KV (ELKCTY-6) 230/138/13.8KV TRANSFORMER CKT 1	287	287	0.0436	102.4632	G05-17T 345.00 - POTTER COUNTY INTERCHANGE 345KV CKT 1
5	10G	G08_014	FROM->TO	ELK CITY 230KV (ELKCTY-6) 230/138/13.8KV TRANSFORMER CKT 1	287	287	0.0436	105.1352	G05-17T 345.00 - Hitchland Interchange 345KV CKT 1
5	10G	G08_014	FROM->TO	ELK CITY 230KV (ELKCTY-6) 230/138/13.8KV TRANSFORMER CKT 1	287	287	0.0436	103.9259	POTTER COUNTY INTERCHANGE (WAUK 90343-A) 345/230/13.2KV TRANSFORMER CKT 1
5	10G	G08_014	FROM->TO	ELK CITY 230KV (ELKCTY-6) 230/138/13.8KV TRANSFORMER CKT 1	287	287	0.0436	102.5299	POTTER COUNTY INTERCHANGE (WAUK 90343-A) 345/230/13.2KV TRANSFORMER CKT 1
5	10G	G08_014	FROM->TO	ELK CITY 230KV (ELKCTY-6) 230/138/13.8KV TRANSFORMER CKT 1	287	287	0.0436	103.8569	G05-17T 345.00 - POTTER COUNTY INTERCHANGE 345KV CKT 1
5	10G	G08_014	FROM->TO	ELK CITY 230KV (ELKCTY-6) 230/138/13.8KV TRANSFORMER CKT 1	287	287	0.04133	110.1414	PP-001
5	10G	G08_014	FROM->TO	ELK CITY 230KV (ELKCTY-6) 230/138/13.8KV TRANSFORMER CKT 1	287	287	0.04133	111.8999	PP-001
2	10G	G08_014	FROM->TO	ELK CITY 230KV (ELKCTY-6) 230/138/13.8KV TRANSFORMER CKT 1	287	287	0.04132	112.4501	PP-001
2	10G	G08_014	FROM->TO	ELK CITY 230KV (ELKCTY-6) 230/138/13.8KV TRANSFORMER CKT 1	287	287	0.04132	110.6381	PP-001
5	10G	G08_014	FROM->TO	ELK CITY 230KV (ELKCTY-6) 230/138/13.8KV TRANSFORMER CKT 1	287	287	0.04031	110.8034	PP-001
5	10G	G08_014	FROM->TO	ELK CITY 230KV (ELKCTY-6) 230/138/13.8KV TRANSFORMER CKT 1	287	287	0.04031	109.0949	PP-001
2	10G	G08_014	FROM->TO	ELK CITY 230KV (ELKCTY-6) 230/138/13.8KV TRANSFORMER CKT 1	287	287	0.04028	112.7523	PP-001
2	10G	G08_014	FROM->TO	ELK CITY 230KV (ELKCTY-6) 230/138/13.8KV TRANSFORMER CKT 1	287	287	0.04028	110.9247	PP-001
5	10G	G08_014	TO->FROM	FPL SWITCH - WOODWARD 138KV CKT 1	133	153	0.03652	107.8422	PP-002
2	10G	G08_014	TO->FROM	FPL SWITCH - WOODWARD 138KV CKT 1	133	153	0.0365	132.2336	PP-002
5	10G	G08_014	TO->FROM	FPL SWITCH - WOODWARD 138KV CKT 1	133	153	0.03587	106.1716	PP-002
2	10G	G08_014	TO->FROM	FPL SWITCH - WOODWARD 138KV CKT 1	133	153	0.03585	131.6566	PP-002
5	10G	G08_016	FROM->TO	G06-39T 230.00 - POTTER COUNTY INTERCHANGE 230KV CKT 1	319	351	0.16564	103.0404	BUSHLAND INTERCHANGE - POTTER COUNTY INTERCHANGE 230KV CKT 1
5	10G	G08_016	FROM->TO	G06-39T 230.00 - POTTER COUNTY INTERCHANGE 230KV CKT 1	319	351	0.1643	102.4145	BUSHLAND INTERCHANGE - POTTER COUNTY INTERCHANGE 230KV CKT 1
5	10G	G08_016	FROM->TO	BUSHLAND INTERCHANGE - POTTER COUNTY INTERCHANGE 230KV	319	351	0.16123	108.6611	G06-39T 230.00 - POTTER COUNTY INTERCHANGE 230KV CKT 1
5	10G	G08_016	FROM->TO	BUSHLAND INTERCHANGE - POTTER COUNTY INTERCHANGE 230KV	319	351	0.16019	108.1734	G06-39T 230.00 - POTTER COUNTY INTERCHANGE 230KV CKT 1
5	10G	G08_016	FROM->TO	ELK CITY 230KV (ELKCTY-6) 230/138/13.8KV TRANSFORMER CKT 1	287	287	0.09835	105.262	G05-15T 345.00 - OKLAUNION 345KV CKT 1
5	10G	G08_016	FROM->TO	ELK CITY 230KV (ELKCTY-6) 230/138/13.8KV TRANSFORMER CKT 1	287	287	0.09835	102.82	G05-15T 345.00 - TUCO INTERCHANGE 345KV CKT 1
5	10G	G08_016	FROM->TO	ELK CITY 230KV (ELKCTY-6) 230/138/13.8KV TRANSFORMER CKT 1	287	287	0.09835	101.4979	G05-15T 345.00 - TUCO INTERCHANGE 345KV CKT 1
5	10G	G08_016	FROM->TO	ELK CITY 230KV (ELKCTY-6) 230/138/13.8KV TRANSFORMER CKT 1	287	287	0.09835	114.1123	LAWTON EASTSIDE - OKLAUNION 345KV CKT 1
5	10G	G08_016	FROM->TO	ELK CITY 230KV (ELKCTY-6) 230/138/13.8KV TRANSFORMER CKT 1	287	287	0.09835	103.8508	G05-15T 345.00 - OKLAUNION 345KV CKT 1
5	10G	G08_016	FROM->TO	ELK CITY 230KV (ELKCTY-6) 230/138/13.8KV TRANSFORMER CKT 1	287	287	0.09835	112.2883	LAWTON EASTSIDE - OKLAUNION 345KV CKT 1
2	10G	G08_016	FROM->TO	ELK CITY 230KV (ELKCTY-6) 230/138/13.8KV TRANSFORMER CKT 1	287	287	0.09834	101.5926	LAWTON EASTSIDE - OKLAUNION 345KV CKT 1
2	10G	G08_016	FROM->TO	ELK CITY 230KV (ELKCTY-6) 230/138/13.8KV TRANSFORMER CKT 1	287	287	0.09834	100.3767	LAWTON EASTSIDE - OKLAUNION 345KV CKT 1
5	10G	G08_016	FROM->TO	ELK CITY 230KV (ELKCTY-6) 230/138/13.8KV TRANSFORMER CKT 1	287	287	0.09374	110.2283	LAWTON EASTSIDE - OKLAUNION 345KV CKT 1
5	10G	G08_016	FROM->TO	ELK CITY 230KV (ELKCTY-6) 230/138/13.8KV TRANSFORMER CKT 1	287	287	0.09374	101.8244	G05-15T 345.00 - OKLAUNION 345KV CKT 1
5	10G	G08_016	FROM->TO	ELK CITY 230KV (ELKCTY-6) 230/138/13.8KV TRANSFORMER CKT 1	287	287	0.09374	108.6027	LAWTON EASTSIDE - OKLAUNION 345KV CKT 1
5	10G	G08_016	FROM->TO	ELK CITY 230KV (ELKCTY-6) 230/138/13.8KV TRANSFORMER CKT 1	287	287	0.09374	100.5529	G05-15T 345.00 - OKLAUNION 345KV CKT 1
5	10G	G08_016	FROM->TO	ELK CITY 230KV (ELKCTY-6) 230/138/13.8KV TRANSFORMER CKT 1	287	287	0.07916	103.9259	POTTER COUNTY INTERCHANGE (WAUK 90343-A) 345/230/13.2KV TRANSFORMER CKT 1
5	10G	G08_016	FROM->TO	ELK CITY 230KV (ELKCTY-6) 230/138/13.8KV TRANSFORMER CKT 1	287	287	0.07916	102.5299	POTTER COUNTY INTERCHANGE (WAUK 90343-A) 345/230/13.2KV TRANSFORMER CKT 1
5	10G	G08_016	FROM->TO	ELK CITY 230KV (ELKCTY-6) 230/138/13.8KV TRANSFORMER CKT 1	287	287	0.07916	102.4632	G05-17T 345.00 - POTTER COUNTY INTERCHANGE 345KV CKT 1
5	10G	G08_016	FROM->TO	ELK CITY 230KV (ELKCTY-6) 230/138/13.8KV TRANSFORMER CKT 1	287	287	0.07916	103.8569	G05-17T 345.00 - POTTER COUNTY INTERCHANGE 345KV CKT 1
5	10G	G08_016	FROM->TO	ELK CITY 230KV (ELKCTY-6) 230/138/13.8KV TRANSFORMER CKT 1	287	287	0.07916	105.1352	G05-17T 345.00 - Hitchland Interchange 345KV CKT 1
5	10G	G08_016	FROM->TO	ELK CITY 230KV (ELKCTY-6) 230/138/13.8KV TRANSFORMER CKT 1	287	287	0.07916	106.6511	G05-17T 345.00 - Hitchland Interchange 345KV CKT 1
5	10G	G08_016	FROM->TO	ELK CITY 230KV (ELKCTY-6) 230/138/13.8KV TRANSFORMER CKT 1	287	287	0.07811	111.8999	PP-001
5	10G	G08_016	FROM->TO	ELK CITY 230KV (ELKCTY-6) 230/138/13.8KV TRANSFORMER CKT 1	287	287	0.07811	110.1414	PP-001

Appendix H

Group Dispatch Scenario	SEASON	SOURCE	DIRECTION	MONTCOMMONNAME	RATEA	RATEB	TDF	LOADING%	CONTNAME
2	10G	G08_016	FROM->TO	ELK CITY 230KV (ELKCTY-6) 230/138/13.8KV TRANSFORMER CKT 1	287	287	0.0781	110.6381	PP-001
2	10G	G08_016	FROM->TO	ELK CITY 230KV (ELKCTY-6) 230/138/13.8KV TRANSFORMER CKT 1	287	287	0.0781	112.4501	PP-001
5	10G	G08_016	FROM->TO	ELK CITY 230KV (ELKCTY-6) 230/138/13.8KV TRANSFORMER CKT 1	287	287	0.07654	110.8034	PP-001
5	10G	G08_016	FROM->TO	ELK CITY 230KV (ELKCTY-6) 230/138/13.8KV TRANSFORMER CKT 1	287	287	0.07654	109.0949	PP-001
2	10G	G08_016	FROM->TO	ELK CITY 230KV (ELKCTY-6) 230/138/13.8KV TRANSFORMER CKT 1	287	287	0.07652	112.7523	PP-001
2	10G	G08_016	FROM->TO	ELK CITY 230KV (ELKCTY-6) 230/138/13.8KV TRANSFORMER CKT 1	287	287	0.07652	110.9247	PP-001
5	10G	G08_016	TO->FROM	FPL SWITCH - WOODWARD 138KV CKT 1	133	153	0.04725	107.8422	PP-002
2	10G	G08_016	TO->FROM	FPL SWITCH - WOODWARD 138KV CKT 1	133	153	0.04723	132.2336	PP-002
5	10G	G08_016	TO->FROM	FPL SWITCH - WOODWARD 138KV CKT 1	133	153	0.04619	106.1716	PP-002
2	10G	G08_016	TO->FROM	FPL SWITCH - WOODWARD 138KV CKT 1	133	153	0.04617	131.6566	PP-002
6	10G	G08_016	TO->FROM	FPL SWITCH - WOODWARD 138KV CKT 1	133	153	0.04252	103.6113	LAWTON EASTSIDE - OKLAUNION 345KV CKT 1
3	10G	G08_016	TO->FROM	FPL SWITCH - WOODWARD 138KV CKT 1	133	153	0.04244	109.0416	LAWTON EASTSIDE - OKLAUNION 345KV CKT 1
5	10G	G08_016	TO->FROM	FPL SWITCH - WOODWARD 138KV CKT 1	133	153	0.0424	106.9611	LAWTON EASTSIDE - OKLAUNION 345KV CKT 1
2	10G	G08_016	TO->FROM	FPL SWITCH - WOODWARD 138KV CKT 1	133	153	0.04238	126.9661	LAWTON EASTSIDE - OKLAUNION 345KV CKT 1
2	10G	G08_016	TO->FROM	FPL SWITCH - WOODWARD 138KV CKT 1	133	153	0.04238	113.8468	G05-15T 345.00 - TUCO INTERCHANGE 345KV CKT 1
2	10G	G08_016	TO->FROM	FPL SWITCH - WOODWARD 138KV CKT 1	133	153	0.04238	116.7903	G05-15T 345.00 - OKLAUNION 345KV CKT 1
5	10G	G08_016	TO->FROM	FPL SWITCH - WOODWARD 138KV CKT 1	133	153	0.04125	105.3803	LAWTON EASTSIDE - OKLAUNION 345KV CKT 1
2	10G	G08_016	TO->FROM	FPL SWITCH - WOODWARD 138KV CKT 1	133	153	0.04123	113.2595	G05-15T 345.00 - TUCO INTERCHANGE 345KV CKT 1
2	10G	G08_016	TO->FROM	FPL SWITCH - WOODWARD 138KV CKT 1	133	153	0.04123	116.1673	G05-15T 345.00 - OKLAUNION 345KV CKT 1
2	10G	G08_016	TO->FROM	FPL SWITCH - WOODWARD 138KV CKT 1	133	153	0.04123	126.1891	LAWTON EASTSIDE - OKLAUNION 345KV CKT 1
6	10G	G08_016	TO->FROM	FPL SWITCH - WOODWARD 138KV CKT 1	133	153	0.03811	112.5493	NORTHWEST - TATONGA EHV 345.00 345KV CKT 1
4	10G	G08_016	TO->FROM	FPL SWITCH - WOODWARD 138KV CKT 1	133	153	0.03803	110.2918	NORTHWEST - TATONGA EHV 345.00 345KV CKT 1
3	10G	G08_016	TO->FROM	FPL SWITCH - WOODWARD 138KV CKT 1	133	153	0.03801	118.1452	TATONGA EHV 345.00 - WWRDEHV7 345.00 345KV CKT 1
3	10G	G08_016	TO->FROM	FPL SWITCH - WOODWARD 138KV CKT 1	133	153	0.03801	131.1963	NORTHWEST - TATONGA EHV 345.00 345KV CKT 1
5	10G	G08_016	TO->FROM	FPL SWITCH - WOODWARD 138KV CKT 1	133	153	0.03799	122.3248	NORTHWEST - TATONGA EHV 345.00 345KV CKT 1
5	10G	G08_016	TO->FROM	FPL SWITCH - WOODWARD 138KV CKT 1	133	153	0.03799	109.3327	TATONGA EHV 345.00 - WWRDEHV7 345.00 345KV CKT 1
2	10G	G08_016	TO->FROM	FPL SWITCH - WOODWARD 138KV CKT 1	133	153	0.03797	138.5764	TATONGA EHV 345.00 - WWRDEHV7 345.00 345KV CKT 1
2	10G	G08_016	TO->FROM	FPL SWITCH - WOODWARD 138KV CKT 1	133	153	0.03797	151.4358	NORTHWEST - TATONGA EHV 345.00 345KV CKT 1
6	10G	G08_016	TO->FROM	FPL SWITCH - WOODWARD 138KV CKT 1	133	153	0.03783	100.7719	PP-004
3	10G	G08_016	TO->FROM	FPL SWITCH - WOODWARD 138KV CKT 1	133	153	0.03773	117.4055	PP-004
5	10G	G08_016	TO->FROM	FPL SWITCH - WOODWARD 138KV CKT 1	133	153	0.0377	110.271	PP-004
2	10G	G08_016	TO->FROM	FPL SWITCH - WOODWARD 138KV CKT 1	133	153	0.03767	139.0566	PP-004
5	10G	G08_016	TO->FROM	FPL SWITCH - WOODWARD 138KV CKT 1	133	153	0.03679	120.5301	NORTHWEST - TATONGA EHV 345.00 345KV CKT 1
5	10G	G08_016	TO->FROM	FPL SWITCH - WOODWARD 138KV CKT 1	133	153	0.03679	107.484	TATONGA EHV 345.00 - WWRDEHV7 345.00 345KV CKT 1
2	10G	G08_016	TO->FROM	FPL SWITCH - WOODWARD 138KV CKT 1	133	153	0.03677	138.0116	TATONGA EHV 345.00 - WWRDEHV7 345.00 345KV CKT 1
2	10G	G08_016	TO->FROM	FPL SWITCH - WOODWARD 138KV CKT 1	133	153	0.03677	150.9249	NORTHWEST - TATONGA EHV 345.00 345KV CKT 1
5	10G	G08_016	TO->FROM	FPL SWITCH - WOODWARD 138KV CKT 1	133	153	0.03659	108.529	PP-004
2	10G	G08_016	TO->FROM	FPL SWITCH - WOODWARD 138KV CKT 1	133	153	0.03656	138.522	PP-004
3	10G	G08_016	TO->FROM	FPL SWITCH - WOODWARD 138KV CKT 1	133	153	0.03555	118.0589	PP-005
5	10G	G08_016	TO->FROM	FPL SWITCH - WOODWARD 138KV CKT 1	133	153	0.03552	104.5751	PP-005
2	10G	G08_016	TO->FROM	FPL SWITCH - WOODWARD 138KV CKT 1	133	153	0.0355	132.677	PP-005
5	10G	G08_016	TO->FROM	FPL SWITCH - WOODWARD 138KV CKT 1	133	153	0.03446	102.9974	SPP-SWPS-03B
2	10G	G08_016	TO->FROM	FPL SWITCH - WOODWARD 138KV CKT 1	133	153	0.03444	121.8661	SPP-SWPS-03B
5	10G	G08_016	TO->FROM	FPL SWITCH - WOODWARD 138KV CKT 1	133	153	0.03442	102.8339	PP-005
2	10G	G08_016	TO->FROM	FPL SWITCH - WOODWARD 138KV CKT 1	133	153	0.0344	132.1268	PP-005
3	10G	G08_016	TO->FROM	FPL SWITCH - WOODWARD 138KV CKT 1	133	153	0.03432	109.9407	ELK CITY 230KV (ELKCTY-6) 230/138/13.8KV TRANSFORMER CKT 1
3	10G	G08_016	TO->FROM	FPL SWITCH - WOODWARD 138KV CKT 1	133	153	0.03432	109.9459	BECKHAM CO 230.00 - ELK CITY 230KV 230KV CKT 1
5	10G	G08_016	TO->FROM	FPL SWITCH - WOODWARD 138KV CKT 1	133	153	0.03428	102.4097	BECKHAM CO 230.00 - STATELINE INTERCHANGE 230KV CKT 1
5	10G	G08_016	TO->FROM	FPL SWITCH - WOODWARD 138KV CKT 1	133	153	0.03428	113.4768	ELK CITY 230KV (ELKCTY-6) 230/138/13.8KV TRANSFORMER CKT 1
5	10G	G08_016	TO->FROM	FPL SWITCH - WOODWARD 138KV CKT 1	133	153	0.03428	102.4427	GRAPEVINE INTERCHANGE - STATELINE INTERCHANGE 230KV CKT 1
5	10G	G08_016	TO->FROM	FPL SWITCH - WOODWARD 138KV CKT 1	133	153	0.03428	113.4847	BECKHAM CO 230.00 - ELK CITY 230KV 230KV CKT 1
2	10G	G08_016	TO->FROM	FPL SWITCH - WOODWARD 138KV CKT 1	133	153	0.03427	120.9478	BECKHAM CO 230.00 - STATELINE INTERCHANGE 230KV CKT 1
2	10G	G08_016	TO->FROM	FPL SWITCH - WOODWARD 138KV CKT 1	133	153	0.03427	120.9754	GRAPEVINE INTERCHANGE - STATELINE INTERCHANGE 230KV CKT 1
2	10G	G08_016	TO->FROM	FPL SWITCH - WOODWARD 138KV CKT 1	133	153	0.03427	131.8555	ELK CITY 230KV (ELKCTY-6) 230/138/13.8KV TRANSFORMER CKT 1
2	10G	G08_016	TO->FROM	FPL SWITCH - WOODWARD 138KV CKT 1	133	153	0.03427	131.8642	BECKHAM CO 230.00 - ELK CITY 230KV 230KV CKT 1

Group Dispatch Scenario	SEASON	SOURCE	DIRECTION	MONTCOMMONNAME	RATEA	RATEB	TDF	LOADING%	CONTNAME
5	10G	G08_016	TO->FROM	FPL SWITCH - WOODWARD 138KV CKT 1	133	153	0.03394	102.2629	SPP-SWPS-03B
2	10G	G08_016	TO->FROM	FPL SWITCH - WOODWARD 138KV CKT 1	133	153	0.03393	121.5565	SPP-SWPS-03B
5	10G	G08_016	TO->FROM	FPL SWITCH - WOODWARD 138KV CKT 1	133	153	0.03376	112.6557	ELK CITY 230KV (ELKCTY-6) 230/138/13.8KV TRANSFORMER CKT 1
5	10G	G08_016	TO->FROM	FPL SWITCH - WOODWARD 138KV CKT 1	133	153	0.03376	112.6639	BECKHAM CO 230.00 - ELK CITY 230KV 230KV CKT 1
5	10G	G08_016	TO->FROM	FPL SWITCH - WOODWARD 138KV CKT 1	133	153	0.03376	101.6593	GRAPEVINE INTERCHANGE - STATELINE INTERCHANGE 230KV CKT 1
5	10G	G08_016	TO->FROM	FPL SWITCH - WOODWARD 138KV CKT 1	133	153	0.03376	101.6188	BECKHAM CO 230.00 - STATELINE INTERCHANGE 230KV CKT 1
2	10G	G08_016	TO->FROM	FPL SWITCH - WOODWARD 138KV CKT 1	133	153	0.03375	120.6768	BECKHAM CO 230.00 - STATELINE INTERCHANGE 230KV CKT 1
2	10G	G08_016	TO->FROM	FPL SWITCH - WOODWARD 138KV CKT 1	133	153	0.03375	131.4615	ELK CITY 230KV (ELKCTY-6) 230/138/13.8KV TRANSFORMER CKT 1
2	10G	G08_016	TO->FROM	FPL SWITCH - WOODWARD 138KV CKT 1	133	153	0.03375	120.7068	GRAPEVINE INTERCHANGE - STATELINE INTERCHANGE 230KV CKT 1
2	10G	G08_016	TO->FROM	FPL SWITCH - WOODWARD 138KV CKT 1	133	153	0.03375	131.4643	BECKHAM CO 230.00 - ELK CITY 230KV 230KV CKT 1
5	10G	G08_016	FROM->TO	BUSHLAND INTERCHANGE - COULTER INTERCHANGE 115KV CKT 1	139	160	0.03278	102.6839	BUSHLAND INTERCHANGE - POTTER COUNTY INTERCHANGE 230KV CKT 1
5	10G	G08_016	FROM->TO	BUSHLAND INTERCHANGE - COULTER INTERCHANGE 115KV CKT 1	139	160	0.03166	101.1488	BUSHLAND INTERCHANGE - POTTER COUNTY INTERCHANGE 230KV CKT 1
5	10G	G08_017	TO->FROM	FPL SWITCH - WOODWARD 138KV CKT 1	133	153	0.05025	120.5301	NORTHWEST - TATONGA EHV 345.00 345KV CKT 1
5	10G	G08_017	TO->FROM	FPL SWITCH - WOODWARD 138KV CKT 1	133	153	0.05025	107.484	TATONGA EHV 345.00 - WWRDEHV7 345.00 345KV CKT 1
2	10G	G08_017	TO->FROM	FPL SWITCH - WOODWARD 138KV CKT 1	133	153	0.05024	150.9249	NORTHWEST - TATONGA EHV 345.00 345KV CKT 1
2	10G	G08_017	TO->FROM	FPL SWITCH - WOODWARD 138KV CKT 1	133	153	0.05024	138.0116	TATONGA EHV 345.00 - WWRDEHV7 345.00 345KV CKT 1
6	10G	G08_017	TO->FROM	FPL SWITCH - WOODWARD 138KV CKT 1	133	153	0.04955	112.5493	NORTHWEST - TATONGA EHV 345.00 345KV CKT 1
5	10G	G08_017	TO->FROM	FPL SWITCH - WOODWARD 138KV CKT 1	133	153	0.04952	108.529	PP-004
2	10G	G08_017	TO->FROM	FPL SWITCH - WOODWARD 138KV CKT 1	133	153	0.0495	138.522	PP-004
4	10G	G08_017	TO->FROM	FPL SWITCH - WOODWARD 138KV CKT 1	133	153	0.04947	110.2918	NORTHWEST - TATONGA EHV 345.00 345KV CKT 1
3	10G	G08_017	TO->FROM	FPL SWITCH - WOODWARD 138KV CKT 1	133	153	0.04946	131.1963	NORTHWEST - TATONGA EHV 345.00 345KV CKT 1
3	10G	G08_017	TO->FROM	FPL SWITCH - WOODWARD 138KV CKT 1	133	153	0.04946	118.1452	TATONGA EHV 345.00 - WWRDEHV7 345.00 345KV CKT 1
5	10G	G08_017	TO->FROM	FPL SWITCH - WOODWARD 138KV CKT 1	133	153	0.04943	109.3327	TATONGA EHV 345.00 - WWRDEHV7 345.00 345KV CKT 1
5	10G	G08_017	TO->FROM	FPL SWITCH - WOODWARD 138KV CKT 1	133	153	0.04943	122.3248	NORTHWEST - TATONGA EHV 345.00 345KV CKT 1
2	10G	G08_017	TO->FROM	FPL SWITCH - WOODWARD 138KV CKT 1	133	153	0.04942	138.5764	TATONGA EHV 345.00 - WWRDEHV7 345.00 345KV CKT 1
2	10G	G08_017	TO->FROM	FPL SWITCH - WOODWARD 138KV CKT 1	133	153	0.04942	151.4358	NORTHWEST - TATONGA EHV 345.00 345KV CKT 1
6	10G	G08_017	TO->FROM	FPL SWITCH - WOODWARD 138KV CKT 1	133	153	0.04891	100.7719	PP-004
3	10G	G08_017	TO->FROM	FPL SWITCH - WOODWARD 138KV CKT 1	133	153	0.0488	117.4055	PP-004
5	10G	G08_017	TO->FROM	FPL SWITCH - WOODWARD 138KV CKT 1	133	153	0.04878	110.271	PP-004
2	10G	G08_017	TO->FROM	FPL SWITCH - WOODWARD 138KV CKT 1	133	153	0.04875	139.0566	PP-004
5	10G	G08_017	TO->FROM	FPL SWITCH - WOODWARD 138KV CKT 1	133	153	0.04837	102.8339	PP-005
2	10G	G08_017	TO->FROM	FPL SWITCH - WOODWARD 138KV CKT 1	133	153	0.04835	132.1268	PP-005
3	10G	G08_017	TO->FROM	FPL SWITCH - WOODWARD 138KV CKT 1	133	153	0.04766	118.0589	PP-005
5	10G	G08_017	TO->FROM	FPL SWITCH - WOODWARD 138KV CKT 1	133	153	0.04764	104.5751	PP-005
2	10G	G08_017	TO->FROM	FPL SWITCH - WOODWARD 138KV CKT 1	133	153	0.04761	132.677	PP-005
2	10G	G08_017	TO->FROM	FPL SWITCH - WOODWARD 138KV CKT 1	133	153	0.04099	104.6931	MINGO - RED WILLOW 345KV CKT 1
2	10G	G08_017	TO->FROM	FPL SWITCH - WOODWARD 138KV CKT 1	133	153	0.04086	105.7432	MINGO - SETAB 345KV CKT 1
2	10G	G08_017	TO->FROM	FPL SWITCH - WOODWARD 138KV CKT 1	133	153	0.04036	123.0314	IODINE - WWRDEHV4 138.00 138KV CKT 1
2	10G	G08_017	TO->FROM	FPL SWITCH - WOODWARD 138KV CKT 1	133	153	0.04036	121.8739	DEWEY - IODINE 138KV CKT 1
2	10G	G08_017	TO->FROM	FPL SWITCH - WOODWARD 138KV CKT 1	133	153	0.04028	105.2578	MINGO - RED WILLOW 345KV CKT 1
2	10G	G08_017	TO->FROM	FPL SWITCH - WOODWARD 138KV CKT 1	133	153	0.04014	106.2933	MINGO - SETAB 345KV CKT 1
3	10G	G08_017	FROM->TO	SPEARVILLE (SPEARVL) 345/230/13.8KV TRANSFORMER CKT 1	336	336	0.03993	104.2472	GRAY CO 345.00 - SPEARVILLE 345KV CKT 1
3	10G	G08_017	FROM->TO	SPEARVILLE (SPEARVL) 345/230/13.8KV TRANSFORMER CKT 1	336	336	0.03993	101.4578	GRAY CO 345.00 - HOLCOMB 345KV CKT 1
3	10G	G08_017	FROM->TO	SPEARVILLE (SPEARVL) 345/230/13.8KV TRANSFORMER CKT 1	336	336	0.03993	105.6014	GRAY CO 345.00 - HOLCOMB 345KV CKT 1
3	10G	G08_017	FROM->TO	SPEARVILLE (SPEARVL) 345/230/13.8KV TRANSFORMER CKT 1	336	336	0.03993	100.4576	GRAY CO 345.00 - SPEARVILLE 345KV CKT 1
3	10G	G08_017	TO->FROM	FPL SWITCH - WOODWARD 138KV CKT 1	133	153	0.03967	108.502	IODINE - WWRDEHV4 138.00 138KV CKT 1
3	10G	G08_017	TO->FROM	FPL SWITCH - WOODWARD 138KV CKT 1	133	153	0.03967	107.3417	DEWEY - IODINE 138KV CKT 1
2	10G	G08_017	TO->FROM	FPL SWITCH - WOODWARD 138KV CKT 1	133	153	0.03965	122.5298	DEWEY - IODINE 138KV CKT 1
2	10G	G08_017	TO->FROM	FPL SWITCH - WOODWARD 138KV CKT 1	133	153	0.03965	123.6773	IODINE - WWRDEHV4 138.00 138KV CKT 1
5	10G	G08_017	TO->FROM	FPL SWITCH - WOODWARD 138KV CKT 1	133	153	0.03843	103.6646	WOODWARD (WOODWRD2) 138/69/13.2KV TRANSFORMER CKT 1
2	10G	G08_017	TO->FROM	FPL SWITCH - WOODWARD 138KV CKT 1	133	153	0.03842	129.6591	WOODWARD (WOODWRD2) 138/69/13.2KV TRANSFORMER CKT 1
2	10G	G08_017	TO->FROM	FPL SWITCH - WOODWARD 138KV CKT 1	133	153	0.03842	116.5829	WOODWARD - WOODWARD 69KV CKT 1

Appendix H

Group Dispatch Scenario	SEASON	SOURCE	DIRECTION	MONTCOMMONNAME	RATEA	RATEB	TDF	LOADING%	CONTNAME
6	10G	G08_017	TO->FROM	FPL SWITCH - WOODWARD 138KV CKT 1	133	153	0.03781	100.1109	WOODWARD (WOODWRD2) 138/69/13.2KV TRANSFORMER CKT 1
5	10G	G08_017	TO->FROM	FPL SWITCH - WOODWARD 138KV CKT 1	133	153	0.03774	105.493	WOODWARD (WOODWRD2) 138/69/13.2KV TRANSFORMER CKT 1
3	10G	G08_017	TO->FROM	FPL SWITCH - WOODWARD 138KV CKT 1	133	153	0.03774	116.1487	WOODWARD (WOODWRD2) 138/69/13.2KV TRANSFORMER CKT 1
3	10G	G08_017	TO->FROM	FPL SWITCH - WOODWARD 138KV CKT 1	133	153	0.03774	103.0948	WOODWARD - WOODWARD 69KV CKT 1
2	10G	G08_017	TO->FROM	FPL SWITCH - WOODWARD 138KV CKT 1	133	153	0.03772	130.3005	WOODWARD (WOODWRD2) 138/69/13.2KV TRANSFORMER CKT 1
2	10G	G08_017	TO->FROM	FPL SWITCH - WOODWARD 138KV CKT 1	133	153	0.03772	117.2225	WOODWARD - WOODWARD 69KV CKT 1
2	10G	G08_017	TO->FROM	FPL SWITCH - WOODWARD 138KV CKT 1	133	153	0.03728	100.4631	MIDPT_BUS 7 345.00 - WWRDEHV7 345.00 345KV CKT 1
2	10G	G08_017	TO->FROM	FPL SWITCH - WOODWARD 138KV CKT 1	133	153	0.03717	109.2019	MED-LDG5 345.00 - WICHITA 345KV CKT 2
2	10G	G08_017	TO->FROM	FPL SWITCH - WOODWARD 138KV CKT 1	133	153	0.03679	109.2019	MED-LDG5 345.00 - WICHITA 345KV CKT 1
2	10G	G08_017	TO->FROM	FPL SWITCH - WOODWARD 138KV CKT 1	133	153	0.03679	106.7537	G07-25T 345.00 - G08-13T 345.00 345KV CKT 1
2	10G	G08_017	TO->FROM	FPL SWITCH - WOODWARD 138KV CKT 1	133	153	0.03679	105.0563	G07-25T 345.00 - WICHITA 345KV CKT 1
2	10G	G08_017	TO->FROM	FPL SWITCH - WOODWARD 138KV CKT 1	133	153	0.03679	108.753	G08-13T 345.00 - WOODRING 345KV CKT 1
5	10G	G08_017	TO->FROM	DEAF SMITH COUNTY INTERCHANGE - G06-39T 230.00 230KV CKT	319	351	0.03667	101.7073	GEN525561 1-TOLK GEN #1 24 KV
5	10G	G08_017	TO->FROM	DEAF SMITH COUNTY INTERCHANGE - G06-39T 230.00 230KV CKT	319	351	0.03667	104.1986	GEN525562 1-TOLK GEN #2 24 KV
2	10G	G08_017	TO->FROM	FPL SWITCH - WOODWARD 138KV CKT 1	133	153	0.03652	109.7732	MED-LDG5 345.00 - WICHITA 345KV CKT 1
2	10G	G08_017	TO->FROM	FPL SWITCH - WOODWARD 138KV CKT 1	133	153	0.03652	109.7732	MED-LDG5 345.00 - WICHITA 345KV CKT 2
2	10G	G08_017	TO->FROM	FPL SWITCH - WOODWARD 138KV CKT 1	133	153	0.03637	100.617	MIDPT_BUS 7 345.00 - TUCO INTERCHANGE 345KV CKT 1
2	10G	G08_017	TO->FROM	FPL SWITCH - WOODWARD 138KV CKT 1	133	153	0.03637	101.3058	MIDPT_BUS 7 345.00 - WWRDEHV7 345.00 345KV CKT 1
5	10G	G08_017	TO->FROM	FPL SWITCH - WOODWARD 138KV CKT 1	133	153	0.03634	102.2629	SPP-SWPS-03B
2	10G	G08_017	TO->FROM	FPL SWITCH - WOODWARD 138KV CKT 1	133	153	0.03633	121.5565	SPP-SWPS-03B
5	10G	G08_017	TO->FROM	FPL SWITCH - WOODWARD 138KV CKT 1	133	153	0.0363	112.6557	ELK CITY 230KV (ELKCTY-6) 230/138/13.8KV TRANSFORMER CKT 1
5	10G	G08_017	TO->FROM	FPL SWITCH - WOODWARD 138KV CKT 1	133	153	0.0363	101.6188	BECKHAM CO 230.00 - STATELINE INTERCHANGE 230KV CKT 1
5	10G	G08_017	TO->FROM	FPL SWITCH - WOODWARD 138KV CKT 1	133	153	0.0363	101.6593	GRAPEVINE INTERCHANGE - STATELINE INTERCHANGE 230KV CKT 1
5	10G	G08_017	TO->FROM	FPL SWITCH - WOODWARD 138KV CKT 1	133	153	0.0363	112.6639	BECKHAM CO 230.00 - ELK CITY 230KV 230KV CKT 1
2	10G	G08_017	TO->FROM	FPL SWITCH - WOODWARD 138KV CKT 1	133	153	0.03629	120.6768	BECKHAM CO 230.00 - STATELINE INTERCHANGE 230KV CKT 1
2	10G	G08_017	TO->FROM	FPL SWITCH - WOODWARD 138KV CKT 1	133	153	0.03629	120.7068	GRAPEVINE INTERCHANGE - STATELINE INTERCHANGE 230KV CKT 1
2	10G	G08_017	TO->FROM	FPL SWITCH - WOODWARD 138KV CKT 1	133	153	0.03629	131.4615	ELK CITY 230KV (ELKCTY-6) 230/138/13.8KV TRANSFORMER CKT 1
2	10G	G08_017	TO->FROM	FPL SWITCH - WOODWARD 138KV CKT 1	133	153	0.03629	131.4643	BECKHAM CO 230.00 - ELK CITY 230KV 230KV CKT 1
2	10G	G08_017	TO->FROM	FPL SWITCH - WOODWARD 138KV CKT 1	133	153	0.03614	105.6361	G07-25T 345.00 - WICHITA 345KV CKT 1
2	10G	G08_017	TO->FROM	FPL SWITCH - WOODWARD 138KV CKT 1	133	153	0.03614	109.3337	G08-13T 345.00 - WOODRING 345KV CKT 1
2	10G	G08_017	TO->FROM	FPL SWITCH - WOODWARD 138KV CKT 1	133	153	0.03614	107.3404	G07-25T 345.00 - G08-13T 345.00 345KV CKT 1
2	10G	G08_017	TO->FROM	FPL SWITCH - WOODWARD 138KV CKT 1	133	153	0.03613	107.8172	COMANCH5 345.00 - MED-LDG5 345.00 345KV CKT 2
2	10G	G08_017	TO->FROM	FPL SWITCH - WOODWARD 138KV CKT 1	133	153	0.03613	107.8172	COMANCH5 345.00 - MED-LDG5 345.00 345KV CKT 1
3	10G	G08_017	TO->FROM	FPL SWITCH - WOODWARD 138KV CKT 1	133	153	0.03609	109.9459	BECKHAM CO 230.00 - ELK CITY 230KV 230KV CKT 1
5	10G	G08_017	TO->FROM	FPL SWITCH - WOODWARD 138KV CKT 1	133	153	0.03609	102.9974	SPP-SWPS-03B
3	10G	G08_017	TO->FROM	FPL SWITCH - WOODWARD 138KV CKT 1	133	153	0.03609	109.9407	ELK CITY 230KV (ELKCTY-6) 230/138/13.8KV TRANSFORMER CKT 1
2	10G	G08_017	TO->FROM	FPL SWITCH - WOODWARD 138KV CKT 1	133	153	0.03608	121.8661	SPP-SWPS-03B
5	10G	G08_017	TO->FROM	FPL SWITCH - WOODWARD 138KV CKT 1	133	153	0.03605	102.4097	BECKHAM CO 230.00 - STATELINE INTERCHANGE 230KV CKT 1
5	10G	G08_017	TO->FROM	FPL SWITCH - WOODWARD 138KV CKT 1	133	153	0.03605	113.4768	ELK CITY 230KV (ELKCTY-6) 230/138/13.8KV TRANSFORMER CKT 1
5	10G	G08_017	TO->FROM	FPL SWITCH - WOODWARD 138KV CKT 1	133	153	0.03605	102.4427	GRAPEVINE INTERCHANGE - STATELINE INTERCHANGE 230KV CKT 1
5	10G	G08_017	TO->FROM	FPL SWITCH - WOODWARD 138KV CKT 1	133	153	0.03605	113.4847	BECKHAM CO 230.00 - ELK CITY 230KV 230KV CKT 1
2	10G	G08_017	TO->FROM	FPL SWITCH - WOODWARD 138KV CKT 1	133	153	0.03604	120.9478	BECKHAM CO 230.00 - STATELINE INTERCHANGE 230KV CKT 1
2	10G	G08_017	TO->FROM	FPL SWITCH - WOODWARD 138KV CKT 1	133	153	0.03604	131.8555	ELK CITY 230KV (ELKCTY-6) 230/138/13.8KV TRANSFORMER CKT 1
2	10G	G08_017	TO->FROM	FPL SWITCH - WOODWARD 138KV CKT 1	133	153	0.03604	120.9754	GRAPEVINE INTERCHANGE - STATELINE INTERCHANGE 230KV CKT 1
2	10G	G08_017	TO->FROM	FPL SWITCH - WOODWARD 138KV CKT 1	133	153	0.03604	131.8642	BECKHAM CO 230.00 - ELK CITY 230KV 230KV CKT 1

Appendix H

Group Dispatch Scenario	SEASON	SOURCE	DIRECTION	MONTCOMMONNAME	RATEA	RATEB	TDF	LOADING%	CONTNAME	
5	10G	G08_017	TO->FROM	DEAF SMITH COUNTY INTERCHANGE - G06-39T	230.00	230KV	319	351	0.03595	104.7025 GEN525562 1-TOLK GEN #2 24 KV
5	10G	G08_017	TO->FROM	DEAF SMITH COUNTY INTERCHANGE - G06-39T	230.00	230KV	319	351	0.03595	102.5639 GEN525561 1-TOLK GEN #1 24 KV
2	10G	G08_017	TO->FROM	FPL SWITCH - WOODWARD 138KV CKT 1			133	153	0.03549	108.388 COMANCH5 345.00 - MED-LDG5 345.00 345KV CKT 1
2	10G	G08_017	TO->FROM	FPL SWITCH - WOODWARD 138KV CKT 1			133	153	0.03549	108.388 COMANCH5 345.00 - MED-LDG5 345.00 345KV CKT 2
2	10G	G08_017	TO->FROM	FPL SWITCH - WOODWARD 138KV CKT 1			133	153	0.03547	107.0002 KNOLL345 345.00 - SPEARVILLE 345KV CKT 1
5	10G	G08_017	TO->FROM	FPL SWITCH - WOODWARD 138KV CKT 1			133	153	0.03541	105.3803 LAWTON EASTSIDE - OKLAUNION 345KV CKT 1
2	10G	G08_017	TO->FROM	FPL SWITCH - WOODWARD 138KV CKT 1			133	153	0.0354	113.2595 G05-15T 345.00 - TUCO INTERCHANGE 345KV CKT 1
2	10G	G08_017	TO->FROM	FPL SWITCH - WOODWARD 138KV CKT 1			133	153	0.0354	126.1891 LAWTON EASTSIDE - OKLAUNION 345KV CKT 1
2	10G	G08_017	TO->FROM	FPL SWITCH - WOODWARD 138KV CKT 1			133	153	0.0354	116.1673 G05-15T 345.00 - OKLAUNION 345KV CKT 1
2	10G	G08_017	TO->FROM	FPL SWITCH - WOODWARD 138KV CKT 1			133	153	0.03522	115.7736 GRAPEVINE INTERCHANGE - NICHOLS STATION 230KV CKT 1
6	10G	G08_017	TO->FROM	FPL SWITCH - WOODWARD 138KV CKT 1			133	153	0.03506	103.6113 LAWTON EASTSIDE - OKLAUNION 345KV CKT 1
3	10G	G08_017	TO->FROM	FPL SWITCH - WOODWARD 138KV CKT 1			133	153	0.03498	109.0416 LAWTON EASTSIDE - OKLAUNION 345KV CKT 1
5	10G	G08_017	TO->FROM	FPL SWITCH - WOODWARD 138KV CKT 1			133	153	0.03494	106.9611 LAWTON EASTSIDE - OKLAUNION 345KV CKT 1
2	10G	G08_017	TO->FROM	FPL SWITCH - WOODWARD 138KV CKT 1			133	153	0.03492	113.8468 G05-15T 345.00 - TUCO INTERCHANGE 345KV CKT 1
2	10G	G08_017	TO->FROM	FPL SWITCH - WOODWARD 138KV CKT 1			133	153	0.03492	126.9661 LAWTON EASTSIDE - OKLAUNION 345KV CKT 1
2	10G	G08_017	TO->FROM	FPL SWITCH - WOODWARD 138KV CKT 1			133	153	0.03492	116.7903 G05-15T 345.00 - OKLAUNION 345KV CKT 1
2	10G	G08_017	TO->FROM	FPL SWITCH - WOODWARD 138KV CKT 1			133	153	0.03483	107.563 KNOLL345 345.00 - SPEARVILLE 345KV CKT 1
2	10G	G08_017	TO->FROM	FPL SWITCH - WOODWARD 138KV CKT 1			133	153	0.0348	105.1758 FARGO JCT - WOODWARD 69KV CKT 1
2	10G	G08_017	TO->FROM	FPL SWITCH - WOODWARD 138KV CKT 1			133	153	0.03478	116.2812 GRAPEVINE INTERCHANGE - NICHOLS STATION 230KV CKT 1
2	10G	G08_017	TO->FROM	FPL SWITCH - WOODWARD 138KV CKT 1			133	153	0.03473	104.9633 GRAND ISLAND - SWEETWATER 345KV CKT 1
2	10G	G08_017	TO->FROM	FPL SWITCH - WOODWARD 138KV CKT 1			133	153	0.03466	105.2674 CIMARRON - NORTHWEST 345KV CKT 1
2	10G	G08_017	TO->FROM	FPL SWITCH - WOODWARD 138KV CKT 1			133	153	0.03423	105.026 AMRN_OUTS6
2	10G	G08_017	TO->FROM	FPL SWITCH - WOODWARD 138KV CKT 1			133	153	0.03416	105.7545 FARGO JCT - WOODWARD 69KV CKT 1
2	10G	G08_017	TO->FROM	FPL SWITCH - WOODWARD 138KV CKT 1			133	153	0.0341	105.5246 GRAND ISLAND - SWEETWATER 345KV CKT 1
2	10G	G08_017	TO->FROM	FPL SWITCH - WOODWARD 138KV CKT 1			133	153	0.03405	104.7297 WRTOD400
2	10G	G08_017	TO->FROM	FPL SWITCH - WOODWARD 138KV CKT 1			133	153	0.03405	105.1984 AXTELL - KNOLL345 345.00 345KV CKT 1
2	10G	G08_017	TO->FROM	FPL SWITCH - WOODWARD 138KV CKT 1			133	153	0.03402	105.8461 CIMARRON - NORTHWEST 345KV CKT 1
2	10G	G08_017	TO->FROM	FPL SWITCH - WOODWARD 138KV CKT 1			133	153	0.03399	107.3907 DEWEY - TALOGA 138KV CKT 1
2	10G	G08_017	TO->FROM	FPL SWITCH - WOODWARD 138KV CKT 1			133	153	0.03396	100.577 GEN527161 1-MUSTANG GEN #1
2	10G	G08_017	TO->FROM	FPL SWITCH - WOODWARD 138KV CKT 1			133	153	0.03396	106.2806 GEN337910 1-ARKANSAS NUCLEAR ONE UNIT #1
2	10G	G08_017	TO->FROM	FPL SWITCH - WOODWARD 138KV CKT 1			133	153	0.03396	105.6383 GEN512688 2-GRDA1 GSU2 22
2	10G	G08_017	TO->FROM	FPL SWITCH - WOODWARD 138KV CKT 1			133	153	0.03396	105.4389 GEN337653 1-WHITE BLUFF UNIT #2
2	10G	G08_017	TO->FROM	FPL SWITCH - WOODWARD 138KV CKT 1			133	153	0.03396	100.4418 GEN527163 1-MUSTANG GEN #3 22 KV
2	10G	G08_017	TO->FROM	FPL SWITCH - WOODWARD 138KV CKT 1			133	153	0.03396	100.577 GEN527162 1-MUSTANG GEN #2
2	10G	G08_017	TO->FROM	FPL SWITCH - WOODWARD 138KV CKT 1			133	153	0.03396	105.4311 GEN337652 1-WHITE BLUFF UNIT #1
2	10G	G08_017	TO->FROM	FPL SWITCH - WOODWARD 138KV CKT 1			133	153	0.03396	105.664 GEN509406 1-WELSH #3
2	10G	G08_017	TO->FROM	FPL SWITCH - WOODWARD 138KV CKT 1			133	153	0.03396	107.5862 GEN511848 1-SOUTHWESTERN STATION #3
2	10G	G08_017	TO->FROM	FPL SWITCH - WOODWARD 138KV CKT 1			133	153	0.03396	106.6933 GEN336153 1-WATERFORD UNIT#3
2	10G	G08_017	TO->FROM	FPL SWITCH - WOODWARD 138KV CKT 1			133	153	0.03396	105.6351 GEN511842 1-RIVERSIDE STATION #1
2	10G	G08_017	TO->FROM	FPL SWITCH - WOODWARD 138KV CKT 1			133	153	0.03396	104.7593 GEN337041 1-GERALD ANDRUS
2	10G	G08_017	TO->FROM	FPL SWITCH - WOODWARD 138KV CKT 1			133	153	0.03396	105.6898 GEN511843 1-RIVERSIDE STATION #2
2	10G	G08_017	TO->FROM	FPL SWITCH - WOODWARD 138KV CKT 1			133	153	0.03396	106.8418 GEN336821 1-GRAND GULF UNIT
2	10G	G08_017	TO->FROM	FPL SWITCH - WOODWARD 138KV CKT 1			133	153	0.03396	106.1491 GEN335831 1-RIVERBEND UNIT#1
2	10G	G08_017	TO->FROM	FPL SWITCH - WOODWARD 138KV CKT 1			133	153	0.03396	110.2485 GEN514805 1-SOONER UNIT 1
2	10G	G08_017	TO->FROM	FPL SWITCH - WOODWARD 138KV CKT 1			133	153	0.03396	100.5504 GEN527902 1-HOBBS PLANT #2 (CT)
2	10G	G08_017	TO->FROM	FPL SWITCH - WOODWARD 138KV CKT 1			133	153	0.03396	100.5504 GEN527901 1-HOBBS PLANT #1 (CT)
2	10G	G08_017	TO->FROM	FPL SWITCH - WOODWARD 138KV CKT 1			133	153	0.03396	107.6471 GEN514806 1-SOONER UNIT 2
2	10G	G08_017	TO->FROM	FPL SWITCH - WOODWARD 138KV CKT 1			133	153	0.03396	106.196 GEN515225 1-MUSKOGEE 5G
2	10G	G08_017	TO->FROM	FPL SWITCH - WOODWARD 138KV CKT 1			133	153	0.03396	106.1532 GEN515223 1-MUSKOGEE 4G
2	10G	G08_017	TO->FROM	FPL SWITCH - WOODWARD 138KV CKT 1			133	153	0.03396	100.574 GEN527165 1-Mustang Gen #5
2	10G	G08_017	TO->FROM	FPL SWITCH - WOODWARD 138KV CKT 1			133	153	0.03396	105.1355 GEN512689 1-GRDA1 GSU1 22
2	10G	G08_017	TO->FROM	FPL SWITCH - WOODWARD 138KV CKT 1			133	153	0.03396	100.5715 GEN527164 1-MUSTANG GEN #4 22 KV
2	10G	G08_017	TO->FROM	FPL SWITCH - WOODWARD 138KV CKT 1			133	153	0.03396	105.4163 GEN511839 1-NORTHEASTERN STATION #2
2	10G	G08_017	TO->FROM	FPL SWITCH - WOODWARD 138KV CKT 1			133	153	0.03396	106.2864 GEN509403 1-PIRKEY GENERATION
2	10G	G08_017	TO->FROM	FPL SWITCH - WOODWARD 138KV CKT 1			133	153	0.03396	106.3417 GEN501801 1-DOLET HILLS UNIT1
2	10G	G08_017	TO->FROM	FPL SWITCH - WOODWARD 138KV CKT 1			133	153	0.03396	105.9899 GEN520947 1-HUGO1
2	10G	G08_017	TO->FROM	FPL SWITCH - WOODWARD 138KV CKT 1			133	153	0.03396	105.2446 GEN511840 1-NORTHEASTERN STATION #3
2	10G	G08_017	TO->FROM	FPL SWITCH - WOODWARD 138KV CKT 1			133	153	0.03396	104.9108 GEN338146 1-INDEPENDENCE UNIT #2
2	10G	G08_017	TO->FROM	FPL SWITCH - WOODWARD 138KV CKT 1			133	153	0.03396	104.7885 GEN501812 1-RODEMACHER UNIT 2
2	10G	G08_017	TO->FROM	FPL SWITCH - WOODWARD 138KV CKT 1			133	153	0.03396	106.4108 GEN520922 1-SLEEPING 138.00

Group Dispatch Scenario	SEASON	SOURCE	DIRECTION	MONTCOMMONNAME	RATEA	RATEB	TDF	LOADING%	CONTNAME
2	10G	G08_017	TO->FROM	FPL SWITCH - WOODWARD 138KV CKT 1	133	153	0.03396	106.9881	GEN337911 1-ARKANSAS NUCLEAR ONE UNIT #2
2	10G	G08_017	TO->FROM	FPL SWITCH - WOODWARD 138KV CKT 1	133	153	0.03396	108.2115	GEN515790 1-FPLWIND2
2	10G	G08_017	TO->FROM	FPL SWITCH - WOODWARD 138KV CKT 1	133	153	0.03396	105.1071	GEN501813 1-RODEMACHEE UNIT 3
2	10G	G08_017	TO->FROM	FPL SWITCH - WOODWARD 138KV CKT 1	133	153	0.03396	106.1806	GEN515226 1-MUSKOGEE 6G
2	10G	G08_017	TO->FROM	FPL SWITCH - WOODWARD 138KV CKT 1	133	153	0.03396	105.6638	GEN509405 1-WELSH #2
2	10G	G08_017	TO->FROM	FPL SWITCH - WOODWARD 138KV CKT 1	133	153	0.03396	105.2174	GEN511841 1-NORTHEASTERN STATION #4
2	10G	G08_017	TO->FROM	FPL SWITCH - WOODWARD 138KV CKT 1	133	153	0.03396	105.2362	GEN509394 1-FLINT CREEK
2	10G	G08_017	TO->FROM	FPL SWITCH - WOODWARD 138KV CKT 1	133	153	0.03396	104.6407	GEN521116 1-RHWIND4 138.00
2	10G	G08_017	TO->FROM	FPL SWITCH - WOODWARD 138KV CKT 1	133	153	0.03396	105.6637	GEN509404 1-WELSH #1
2	10G	G08_017	TO->FROM	FPL SWITCH - WOODWARD 138KV CKT 1	133	153	0.03396	100.6005	GEN560035 1-G03-13-1 0.6000
2	10G	G08_017	TO->FROM	FPL SWITCH - WOODWARD 138KV CKT 1	133	153	0.03396	100.1575	GEN560067 1-G06-49-3 0.6000
2	10G	G08_017	TO->FROM	FPL SWITCH - WOODWARD 138KV CKT 1	133	153	0.03396	100.6005	GEN560036 1-G03-13-2 0.6000
2	10G	G08_017	TO->FROM	FPL SWITCH - WOODWARD 138KV CKT 1	133	153	0.03396	100.0881	GEN645001 1-FORT CALHOUN 1
2	10G	G08_017	TO->FROM	FPL SWITCH - WOODWARD 138KV CKT 1	133	153	0.03396	100.2899	GEN532751 1-WOLF CREEK GENERATING STATION UNIT 1
2	10G	G08_017	TO->FROM	FPL SWITCH - WOODWARD 138KV CKT 1	133	153	0.03396	105.12	GEN560152 1-G06-46 0.6000
2	10G	G08_017	TO->FROM	FPL SWITCH - WOODWARD 138KV CKT 1	133	153	0.03396	100.3224	GEN542957 1-IATAN UNIT #1
2	10G	G08_017	TO->FROM	FPL SWITCH - WOODWARD 138KV CKT 1	133	153	0.03396	115.4238	GEN560183 1-G07-51 0.6000
2	10G	G08_017	TO->FROM	FPL SWITCH - WOODWARD 138KV CKT 1	133	153	0.03396	118.0828	BASE CASE
2	10G	G08_017	TO->FROM	FPL SWITCH - WOODWARD 138KV CKT 1	133	153	0.03391	100.497	OGE3TERM4
2	10G	G08_017	TO->FROM	FPL SWITCH - WOODWARD 138KV CKT 1	133	153	0.0338	100.4914	ALVA - KNOBHILL 69KV CKT 1
2	10G	G08_017	TO->FROM	FPL SWITCH - WOODWARD 138KV CKT 1	133	153	0.03374	105.105	ELK CITY - FALCON ROAD 138KV CKT 1
2	10G	G08_017	TO->FROM	FPL SWITCH - WOODWARD 138KV CKT 1	133	153	0.03373	100.3692	WEATHERFORD JCT. - WEATHERFORD SOUTHEAST 138KV CKT 1
2	10G	G08_017	TO->FROM	FPL SWITCH - WOODWARD 138KV CKT 1	133	153	0.0336	105.5927	AMRN_OUTS6
2	10G	G08_017	TO->FROM	FPL SWITCH - WOODWARD 138KV CKT 1	133	153	0.03354	100.311	SPP-AEPW-01
2	10G	G08_017	TO->FROM	FPL SWITCH - WOODWARD 138KV CKT 1	133	153	0.03354	100.2202	LYDIA - VALLIANT 345KV CKT 1
2	10G	G08_017	TO->FROM	FPL SWITCH - WOODWARD 138KV CKT 1	133	153	0.03344	111.6982	WOODRING (WOODRNG2) 345/138/13.8KV TRANSFORMER CKT 1
2	10G	G08_017	TO->FROM	FPL SWITCH - WOODWARD 138KV CKT 1	133	153	0.03343	105.2973	WRTOD400
2	10G	G08_017	TO->FROM	FPL SWITCH - WOODWARD 138KV CKT 1	133	153	0.03338	100.6564	OKEENE - WATONGA SW 69KV CKT 1
3	10G	G08_017	TO->FROM	FPL SWITCH - WOODWARD 138KV CKT 1	133	153	0.03336	104.5285	BASE CASE
3	10G	G08_017	TO->FROM	FPL SWITCH - WOODWARD 138KV CKT 1	133	153	0.03336	103.7955	GEN560183 1-G07-51 0.6000
2	10G	G08_017	TO->FROM	FPL SWITCH - WOODWARD 138KV CKT 1	133	153	0.03334	118.7333	BASE CASE
2	10G	G08_017	TO->FROM	FPL SWITCH - WOODWARD 138KV CKT 1	133	153	0.03334	100.3352	GEN560065 1-G06-49-1 0.6000
2	10G	G08_017	TO->FROM	FPL SWITCH - WOODWARD 138KV CKT 1	133	153	0.03334	100.9736	GEN532751 1-WOLF CREEK GENERATING STATION UNIT 1
2	10G	G08_017	TO->FROM	FPL SWITCH - WOODWARD 138KV CKT 1	133	153	0.03334	105.8264	GEN509394 1-FLINT CREEK
2	10G	G08_017	TO->FROM	FPL SWITCH - WOODWARD 138KV CKT 1	133	153	0.03334	106.2157	GEN511842 1-RIVERSIDE STATION #1
2	10G	G08_017	TO->FROM	FPL SWITCH - WOODWARD 138KV CKT 1	133	153	0.03334	105.532	GEN338146 1-INDEPENDENCE UNIT #2
2	10G	G08_017	TO->FROM	FPL SWITCH - WOODWARD 138KV CKT 1	133	153	0.03334	100.889	GEN527163 1-MUSTANG GEN #3 22 KV
2	10G	G08_017	TO->FROM	FPL SWITCH - WOODWARD 138KV CKT 1	133	153	0.03334	100.3908	GEN560032 1-G02-06 0.6000
2	10G	G08_017	TO->FROM	FPL SWITCH - WOODWARD 138KV CKT 1	133	153	0.03334	100.7099	GEN645001 1-FORT CALHOUN 1
2	10G	G08_017	TO->FROM	FPL SWITCH - WOODWARD 138KV CKT 1	133	153	0.03334	101.1998	GEN560035 1-G03-13-1 0.6000
2	10G	G08_017	TO->FROM	FPL SWITCH - WOODWARD 138KV CKT 1	133	153	0.03334	105.7195	GEN512689 1-GRDA1 GSU1 22
2	10G	G08_017	TO->FROM	FPL SWITCH - WOODWARD 138KV CKT 1	133	153	0.03334	101.0284	GEN527165 1-Mustang Gen #5
2	10G	G08_017	TO->FROM	FPL SWITCH - WOODWARD 138KV CKT 1	133	153	0.03334	100.0739	GEN532653 1-JEFFREY ENERGY CENTER UNIT 3
2	10G	G08_017	TO->FROM	FPL SWITCH - WOODWARD 138KV CKT 1	133	153	0.03334	106.7343	GEN515223 1-MUSKOGEE 4G
2	10G	G08_017	TO->FROM	FPL SWITCH - WOODWARD 138KV CKT 1	133	153	0.03334	100.954	GEN542957 1-IATAN UNIT #1
2	10G	G08_017	TO->FROM	FPL SWITCH - WOODWARD 138KV CKT 1	133	153	0.03334	100.108	GEN527903 1-HOBBS PLANT #3 (ST)
2	10G	G08_017	TO->FROM	FPL SWITCH - WOODWARD 138KV CKT 1	133	153	0.03334	101.1998	GEN560036 1-G03-13-2 0.6000
2	10G	G08_017	TO->FROM	FPL SWITCH - WOODWARD 138KV CKT 1	133	153	0.03334	100.2116	GEN539670 4-JUDSON LARGE GENERATOR
2	10G	G08_017	TO->FROM	FPL SWITCH - WOODWARD 138KV CKT 1	133	153	0.03334	108.238	GEN514806 1-SOONER UNIT 2
2	10G	G08_017	TO->FROM	FPL SWITCH - WOODWARD 138KV CKT 1	133	153	0.03334	108.1232	GEN511848 1-SOUTHWESTERN STATION #3
2	10G	G08_017	TO->FROM	FPL SWITCH - WOODWARD 138KV CKT 1	133	153	0.03334	101.0321	GEN527161 1-MUSTANG GEN #1
2	10G	G08_017	TO->FROM	FPL SWITCH - WOODWARD 138KV CKT 1	133	153	0.03334	106.9292	GEN501801 1-DOLET HILLS UNIT1
2	10G	G08_017	TO->FROM	FPL SWITCH - WOODWARD 138KV CKT 1	133	153	0.03334	115.9935	GEN560183 1-G07-51 0.6000
2	10G	G08_017	TO->FROM	FPL SWITCH - WOODWARD 138KV CKT 1	133	153	0.03334	106.2269	GEN512688 2-GRDA1 GSU2 22
2	10G	G08_017	TO->FROM	FPL SWITCH - WOODWARD 138KV CKT 1	133	153	0.03334	101.0258	GEN527164 1-MUSTANG GEN #4 22 KV
2	10G	G08_017	TO->FROM	FPL SWITCH - WOODWARD 138KV CKT 1	133	153	0.03334	105.7033	GEN501813 1-RODEMACHEE UNIT 3
2	10G	G08_017	TO->FROM	FPL SWITCH - WOODWARD 138KV CKT 1	133	153	0.03334	110.8397	GEN514805 1-SOONER UNIT 1
2	10G	G08_017	TO->FROM	FPL SWITCH - WOODWARD 138KV CKT 1	133	153	0.03334	106.2706	GEN511843 1-RIVERSIDE STATION #2
2	10G	G08_017	TO->FROM	FPL SWITCH - WOODWARD 138KV CKT 1	133	153	0.03334	101.0321	GEN527162 1-MUSTANG GEN #2
2	10G	G08_017	TO->FROM	FPL SWITCH - WOODWARD 138KV CKT 1	133	153	0.03334	101.0027	GEN527901 1-HOBBS PLANT #1 (CT)

Group Dispatch Scenario	SEASON	SOURCE	DIRECTION	MONTCOMMONNAME	RATEA	RATEB	TDF	LOADING%	CONTNAME
2	10G	G08_017	TO->FROM	FPL SWITCH - WOODWARD 138KV CKT 1	133	153	0.03334	100.3857	GEN560066 1-G06-49-2 0.6000
2	10G	G08_017	TO->FROM	FPL SWITCH - WOODWARD 138KV CKT 1	133	153	0.03334	105.3711	GEN337041 1-GERALD ANDRUS
2	10G	G08_017	TO->FROM	FPL SWITCH - WOODWARD 138KV CKT 1	133	153	0.03334	106.2394	GEN509405 1-WELSH #2
2	10G	G08_017	TO->FROM	FPL SWITCH - WOODWARD 138KV CKT 1	133	153	0.03334	106.868	GEN509403 1-PIRKEY GENERATION
2	10G	G08_017	TO->FROM	FPL SWITCH - WOODWARD 138KV CKT 1	133	153	0.03334	106.7619	GEN515226 1-MUSKOGEE 6G
2	10G	G08_017	TO->FROM	FPL SWITCH - WOODWARD 138KV CKT 1	133	153	0.03334	107.3299	GEN336153 1-WATERFORD UNIT#3
2	10G	G08_017	TO->FROM	FPL SWITCH - WOODWARD 138KV CKT 1	133	153	0.03334	100.3116	GEN527882 1-CUNNINGHAM GEN #2 20 KV
2	10G	G08_017	TO->FROM	FPL SWITCH - WOODWARD 138KV CKT 1	133	153	0.03334	105.3809	GEN501812 1-RODEMACHER UNIT 2
2	10G	G08_017	TO->FROM	FPL SWITCH - WOODWARD 138KV CKT 1	133	153	0.03334	105.6877	GEN560152 1-G06-46 0.6000
2	10G	G08_017	TO->FROM	FPL SWITCH - WOODWARD 138KV CKT 1	133	153	0.03334	100.0649	GEN532651 1-JEFFREY ENERGY CENTER UNIT 1
2	10G	G08_017	TO->FROM	FPL SWITCH - WOODWARD 138KV CKT 1	133	153	0.03334	106.8966	GEN337910 1-ARKANSAS NUCLEAR ONE UNIT #1
2	10G	G08_017	TO->FROM	FPL SWITCH - WOODWARD 138KV CKT 1	133	153	0.03334	106.9845	GEN520922 1-SLEEPING 138.00
2	10G	G08_017	TO->FROM	FPL SWITCH - WOODWARD 138KV CKT 1	133	153	0.03334	108.7793	GEN515790 1-FPLWND2
2	10G	G08_017	TO->FROM	FPL SWITCH - WOODWARD 138KV CKT 1	133	153	0.03334	107.6139	GEN337911 1-ARKANSAS NUCLEAR ONE UNIT #2
2	10G	G08_017	TO->FROM	FPL SWITCH - WOODWARD 138KV CKT 1	133	153	0.03334	106.2396	GEN509406 1-WELSH #3
2	10G	G08_017	TO->FROM	FPL SWITCH - WOODWARD 138KV CKT 1	133	153	0.03334	100.7653	GEN560067 1-G06-49-3 0.6000
2	10G	G08_017	TO->FROM	FPL SWITCH - WOODWARD 138KV CKT 1	133	153	0.03334	107.4885	GEN336821 1-GRAND GULF UNIT
2	10G	G08_017	TO->FROM	FPL SWITCH - WOODWARD 138KV CKT 1	133	153	0.03334	106.0014	GEN511839 1-NORTHEASTERN STATION #2
2	10G	G08_017	TO->FROM	FPL SWITCH - WOODWARD 138KV CKT 1	133	153	0.03334	106.0534	GEN337653 1-WHITE BLUFF UNIT #2
2	10G	G08_017	TO->FROM	FPL SWITCH - WOODWARD 138KV CKT 1	133	153	0.03334	106.5534	GEN520947 1-HUGO1
2	10G	G08_017	TO->FROM	FPL SWITCH - WOODWARD 138KV CKT 1	133	153	0.03334	100.5353	GEN560049 1-G05-17-3 34.500
2	10G	G08_017	TO->FROM	FPL SWITCH - WOODWARD 138KV CKT 1	133	153	0.03334	105.8033	GEN511841 1-NORTHEASTERN STATION #4
2	10G	G08_017	TO->FROM	FPL SWITCH - WOODWARD 138KV CKT 1	133	153	0.03334	106.7773	GEN515225 1-MUSKOGEE 5G
2	10G	G08_017	TO->FROM	FPL SWITCH - WOODWARD 138KV CKT 1	133	153	0.03334	106.0456	GEN337652 1-WHITE BLUFF UNIT #1
2	10G	G08_017	TO->FROM	FPL SWITCH - WOODWARD 138KV CKT 1	133	153	0.03334	105.8308	GEN511840 1-NORTHEASTERN STATION #3
2	10G	G08_017	TO->FROM	FPL SWITCH - WOODWARD 138KV CKT 1	133	153	0.03334	106.2393	GEN509404 1-WELSH #1
2	10G	G08_017	TO->FROM	FPL SWITCH - WOODWARD 138KV CKT 1	133	153	0.03334	106.777	GEN335831 1-RIVERBEND UNIT#1
2	10G	G08_017	TO->FROM	FPL SWITCH - WOODWARD 138KV CKT 1	133	153	0.03334	105.1952	GEN521116 1-RHWIND4 138.00
2	10G	G08_017	TO->FROM	FPL SWITCH - WOODWARD 138KV CKT 1	133	153	0.03334	100.0742	GEN532652 1-JEFFREY ENERGY CENTER UNIT 2
2	10G	G08_017	TO->FROM	FPL SWITCH - WOODWARD 138KV CKT 1	133	153	0.03334	100.1916	GEN560055 1-G06-44-2 0.6000
2	10G	G08_017	TO->FROM	FPL SWITCH - WOODWARD 138KV CKT 1	133	153	0.03334	101.0027	GEN527902 1-HOBBS PLANT #2 (CT)
2	10G	G08_017	TO->FROM	FPL SWITCH - WOODWARD 138KV CKT 1	133	153	0.03334	100.5353	GEN560045 1-G05-17-1 34.500
2	10G	G08_017	TO->FROM	FPL SWITCH - WOODWARD 138KV CKT 1	133	153	0.03333	108.0076	DEWEY - TALOGA 138KV CKT 1
2	10G	G08_017	TO->FROM	FPL SWITCH - WOODWARD 138KV CKT 1	133	153	0.03329	101.0716	OGE3TERM4
5	10G	G08_017	FROM->TO	HARPER - MILAN TAP 138KV CKT 1	95.6	95.6	0.03326	111.8206	PP-005
2	10G	G08_017	TO->FROM	CLEARWATER - MILAN TAP 138KV CKT 1	110	110	0.03323	106.8548	PP-005
2	10G	G08_017	FROM->TO	HARPER - MILAN TAP 138KV CKT 1	95.6	95.6	0.03323	133.1428	PP-005
2	10G	G08_017	TO->FROM	FPL SWITCH - WOODWARD 138KV CKT 1	133	153	0.03318	101.0671	ALVA - KNOBHILL 69KV CKT 1
1	10G	G08_017	TO->FROM	CLEARWATER - MILAN TAP 138KV CKT 1	110	110	0.03314	107.7224	PP-005
2	10G	G08_017	TO->FROM	FPL SWITCH - WOODWARD 138KV CKT 1	133	153	0.03314	105.6677	ELK CITY - FALCON ROAD 138KV CKT 1
1	10G	G08_017	FROM->TO	HARPER - MILAN TAP 138KV CKT 1	95.6	95.6	0.03314	134.1493	PP-005
3	10G	G08_017	FROM->TO	CLEARWATER - GILL ENERGY CENTER WEST 138KV CKT 1	110	110	0.03313	107.3164	PP-005
3	10G	G08_017	TO->FROM	CLEARWATER - MILAN TAP 138KV CKT 1	110	110	0.03313	117.847	PP-005
3	10G	G08_017	FROM->TO	HARPER - MILAN TAP 138KV CKT 1	95.6	95.6	0.03313	145.745	PP-005
5	10G	G08_017	FROM->TO	HARPER - MILAN TAP 138KV CKT 1	95.6	95.6	0.0331	112.455	PP-005
2	10G	G08_017	TO->FROM	FPL SWITCH - WOODWARD 138KV CKT 1	133	153	0.03309	100.9922	WEATHERFORD JCT. - WEATHERFORD SOUTHEAST 138KV CKT 1
2	10G	G08_017	TO->FROM	CLEARWATER - MILAN TAP 138KV CKT 1	110	110	0.03307	107.0316	PP-005
2	10G	G08_017	FROM->TO	HARPER - MILAN TAP 138KV CKT 1	95.6	95.6	0.03307	133.3466	PP-005
2	10G	G08_017	TO->FROM	FPL SWITCH - WOODWARD 138KV CKT 1	133	153	0.03306	100.1551	HELENAT2 69.000 - SALINE 69KV CKT 1
2	10G	G08_017	TO->FROM	FPL SWITCH - WOODWARD 138KV CKT 1	133	153	0.03292	100.8241	LYDIA - VALLIANT 345KV CKT 1
2	10G	G08_017	TO->FROM	FPL SWITCH - WOODWARD 138KV CKT 1	133	153	0.03292	100.914	SPP-AEPW-01
3	10G	G08_017	TO->FROM	FPL SWITCH - WOODWARD 138KV CKT 1	133	153	0.03283	101.4462	WOODRING (WOODRNG2) 345/138/13.8KV TRANSFORMER CKT 1
2	10G	G08_017	TO->FROM	FPL SWITCH - WOODWARD 138KV CKT 1	133	153	0.03282	112.2775	WOODRING (WOODRNG2) 345/138/13.8KV TRANSFORMER CKT 1
2	10G	G08_017	TO->FROM	FPL SWITCH - WOODWARD 138KV CKT 1	133	153	0.03276	101.2153	OKEENE - WATONGA SW 69KV CKT 1
2	10G	G08_017	TO->FROM	FPL SWITCH - WOODWARD 138KV CKT 1	133	153	0.03244	100.3264	KNOBHILL - SALINE 69KV CKT 1
2	10G	G08_017	TO->FROM	FPL SWITCH - WOODWARD 138KV CKT 1	133	153	0.03244	100.7181	HELENAT2 69.000 - SALINE 69KV CKT 1
2	10G	G08_017	TO->FROM	FPL SWITCH - WOODWARD 138KV CKT 1	133	153	0.03218	100.1539	DOVER SW - HENESSEY 138KV CKT 1
2	10G	G08_017	TO->FROM	FPL SWITCH - WOODWARD 138KV CKT 1	133	153	0.03197	107.8209	COMANCH5 345.00 - WWRDEHV7 345.00 345KV CKT 1
2	10G	G08_017	TO->FROM	FPL SWITCH - WOODWARD 138KV CKT 1	133	153	0.03197	107.8209	COMANCH5 345.00 - WWRDEHV7 345.00 345KV CKT 2

Group Dispatch Scenario	SEASON	SOURCE	DIRECTION	MONTCOMMONNAME	RATEA	RATEB	TDF	LOADING%	CONTNAME
2	10G	G08_017	TO->FROM	FPL SWITCH - WOODWARD 138KV CKT 1	133	153	0.03156	100.7217	DOVER SW - HENESSEY 138KV CKT 1
2	10G	G08_017	TO->FROM	FPL SWITCH - WOODWARD 138KV CKT 1	133	153	0.03134	108.3936	COMANCH5 345.00 - WWRDEHV7 345.00 345KV CKT 2
2	10G	G08_017	TO->FROM	FPL SWITCH - WOODWARD 138KV CKT 1	133	153	0.03134	108.3936	COMANCH5 345.00 - WWRDEHV7 345.00 345KV CKT 1
5	10G	G08_018	TO->FROM	FPL SWITCH - WOODWARD 138KV CKT 1	133	153	0.05485	120.5301	NORTHWEST - TATONGA EHV 345.00 345KV CKT 1
5	10G	G08_018	TO->FROM	FPL SWITCH - WOODWARD 138KV CKT 1	133	153	0.05485	107.484	TATONGA EHV 345.00 - WWRDEHV7 345.00 345KV CKT 1
5	10G	G08_018	TO->FROM	FPL SWITCH - WOODWARD 138KV CKT 1	133	153	0.05485	108.529	PP-004
2	10G	G08_018	TO->FROM	FPL SWITCH - WOODWARD 138KV CKT 1	133	153	0.05484	138.0116	TATONGA EHV 345.00 - WWRDEHV7 345.00 345KV CKT 1
2	10G	G08_018	TO->FROM	FPL SWITCH - WOODWARD 138KV CKT 1	133	153	0.05484	150.9249	NORTHWEST - TATONGA EHV 345.00 345KV CKT 1
2	10G	G08_018	TO->FROM	FPL SWITCH - WOODWARD 138KV CKT 1	133	153	0.05482	138.522	PP-004
6	10G	G08_018	TO->FROM	FPL SWITCH - WOODWARD 138KV CKT 1	133	153	0.05418	100.7719	PP-004
6	10G	G08_018	TO->FROM	FPL SWITCH - WOODWARD 138KV CKT 1	133	153	0.0541	112.5493	NORTHWEST - TATONGA EHV 345.00 345KV CKT 1
3	10G	G08_018	TO->FROM	FPL SWITCH - WOODWARD 138KV CKT 1	133	153	0.05408	117.4055	PP-004
5	10G	G08_018	TO->FROM	FPL SWITCH - WOODWARD 138KV CKT 1	133	153	0.05405	110.271	PP-004
4	10G	G08_018	TO->FROM	FPL SWITCH - WOODWARD 138KV CKT 1	133	153	0.05402	110.2918	NORTHWEST - TATONGA EHV 345.00 345KV CKT 1
2	10G	G08_018	TO->FROM	FPL SWITCH - WOODWARD 138KV CKT 1	133	153	0.05402	139.0566	PP-004
3	10G	G08_018	TO->FROM	FPL SWITCH - WOODWARD 138KV CKT 1	133	153	0.054	131.1963	NORTHWEST - TATONGA EHV 345.00 345KV CKT 1
3	10G	G08_018	TO->FROM	FPL SWITCH - WOODWARD 138KV CKT 1	133	153	0.054	118.1452	TATONGA EHV 345.00 - WWRDEHV7 345.00 345KV CKT 1
5	10G	G08_018	TO->FROM	FPL SWITCH - WOODWARD 138KV CKT 1	133	153	0.05398	122.3248	NORTHWEST - TATONGA EHV 345.00 345KV CKT 1
5	10G	G08_018	TO->FROM	FPL SWITCH - WOODWARD 138KV CKT 1	133	153	0.05398	109.3327	TATONGA EHV 345.00 - WWRDEHV7 345.00 345KV CKT 1
2	10G	G08_018	TO->FROM	FPL SWITCH - WOODWARD 138KV CKT 1	133	153	0.05396	151.4358	NORTHWEST - TATONGA EHV 345.00 345KV CKT 1
2	10G	G08_018	TO->FROM	FPL SWITCH - WOODWARD 138KV CKT 1	133	153	0.05396	138.5764	TATONGA EHV 345.00 - WWRDEHV7 345.00 345KV CKT 1
5	10G	G08_018	TO->FROM	FPL SWITCH - WOODWARD 138KV CKT 1	133	153	0.05332	102.8339	PP-005
2	10G	G08_018	TO->FROM	FPL SWITCH - WOODWARD 138KV CKT 1	133	153	0.05329	132.1268	PP-005
3	10G	G08_018	TO->FROM	FPL SWITCH - WOODWARD 138KV CKT 1	133	153	0.05255	118.0589	PP-005
5	10G	G08_018	TO->FROM	FPL SWITCH - WOODWARD 138KV CKT 1	133	153	0.05253	104.5751	PP-005
2	10G	G08_018	TO->FROM	FPL SWITCH - WOODWARD 138KV CKT 1	133	153	0.0525	132.677	PP-005
2	10G	G08_018	TO->FROM	FPL SWITCH - WOODWARD 138KV CKT 1	133	153	0.04399	121.8739	DEWEY - IODINE 138KV CKT 1
2	10G	G08_018	TO->FROM	FPL SWITCH - WOODWARD 138KV CKT 1	133	153	0.04399	123.0314	IODINE - WWRDEHV4 138.00 138KV CKT 1
3	10G	G08_018	TO->FROM	FPL SWITCH - WOODWARD 138KV CKT 1	133	153	0.04326	108.502	IODINE - WWRDEHV4 138.00 138KV CKT 1
3	10G	G08_018	TO->FROM	FPL SWITCH - WOODWARD 138KV CKT 1	133	153	0.04326	107.3417	DEWEY - IODINE 138KV CKT 1
2	10G	G08_018	TO->FROM	FPL SWITCH - WOODWARD 138KV CKT 1	133	153	0.04323	122.5298	DEWEY - IODINE 138KV CKT 1
2	10G	G08_018	TO->FROM	FPL SWITCH - WOODWARD 138KV CKT 1	133	153	0.04323	123.6773	IODINE - WWRDEHV4 138.00 138KV CKT 1
5	10G	G08_018	TO->FROM	FPL SWITCH - WOODWARD 138KV CKT 1	133	153	0.04188	103.6646	WOODWARD (WOODWRD2) 138/69/13.2KV TRANSFORMER CKT 1
2	10G	G08_018	TO->FROM	FPL SWITCH - WOODWARD 138KV CKT 1	133	153	0.04187	129.6591	WOODWARD (WOODWRD2) 138/69/13.2KV TRANSFORMER CKT 1
2	10G	G08_018	TO->FROM	FPL SWITCH - WOODWARD 138KV CKT 1	133	153	0.04187	116.5829	WOODWARD - WOODWARD 69KV CKT 1
2	10G	G08_018	TO->FROM	FPL SWITCH - WOODWARD 138KV CKT 1	133	153	0.04184	104.6931	MINGO - RED WILLOW 345KV CKT 1
2	10G	G08_018	TO->FROM	FPL SWITCH - WOODWARD 138KV CKT 1	133	153	0.04151	105.7432	MINGO - SETAB 345KV CKT 1
6	10G	G08_018	TO->FROM	FPL SWITCH - WOODWARD 138KV CKT 1	133	153	0.04122	100.1109	WOODWARD (WOODWRD2) 138/69/13.2KV TRANSFORMER CKT 1
3	10G	G08_018	TO->FROM	FPL SWITCH - WOODWARD 138KV CKT 1	133	153	0.04115	116.1487	WOODWARD (WOODWRD2) 138/69/13.2KV TRANSFORMER CKT 1
3	10G	G08_018	TO->FROM	FPL SWITCH - WOODWARD 138KV CKT 1	133	153	0.04115	103.0948	WOODWARD - WOODWARD 69KV CKT 1
5	10G	G08_018	TO->FROM	FPL SWITCH - WOODWARD 138KV CKT 1	133	153	0.04114	105.493	WOODWARD (WOODWRD2) 138/69/13.2KV TRANSFORMER CKT 1
2	10G	G08_018	TO->FROM	FPL SWITCH - WOODWARD 138KV CKT 1	133	153	0.04113	130.3005	WOODWARD (WOODWRD2) 138/69/13.2KV TRANSFORMER CKT 1
2	10G	G08_018	TO->FROM	FPL SWITCH - WOODWARD 138KV CKT 1	133	153	0.04113	117.2225	WOODWARD - WOODWARD 69KV CKT 1
2	10G	G08_018	TO->FROM	FPL SWITCH - WOODWARD 138KV CKT 1	133	153	0.04112	105.2578	MINGO - RED WILLOW 345KV CKT 1
2	10G	G08_018	TO->FROM	FPL SWITCH - WOODWARD 138KV CKT 1	133	153	0.04079	106.2933	MINGO - SETAB 345KV CKT 1
2	10G	G08_018	TO->FROM	FPL SWITCH - WOODWARD 138KV CKT 1	133	153	0.04064	109.2019	MED-LDG5 345.00 - WICHITA 345KV CKT 2
2	10G	G08_018	TO->FROM	FPL SWITCH - WOODWARD 138KV CKT 1	133	153	0.04064	109.2019	MED-LDG5 345.00 - WICHITA 345KV CKT 1
2	10G	G08_018	TO->FROM	FPL SWITCH - WOODWARD 138KV CKT 1	133	153	0.04033	100.4631	MIDPT_BUS 7 345.00 - WWRDEHV7 345.00 345KV CKT 1
5	10G	G08_018	TO->FROM	FPL SWITCH - WOODWARD 138KV CKT 1	133	153	0.03995	102.2629	SPP-SWPS-03B
2	10G	G08_018	TO->FROM	FPL SWITCH - WOODWARD 138KV CKT 1	133	153	0.03995	109.7732	MED-LDG5 345.00 - WICHITA 345KV CKT 1
2	10G	G08_018	TO->FROM	FPL SWITCH - WOODWARD 138KV CKT 1	133	153	0.03995	109.7732	MED-LDG5 345.00 - WICHITA 345KV CKT 2
2	10G	G08_018	TO->FROM	FPL SWITCH - WOODWARD 138KV CKT 1	133	153	0.03994	121.5565	SPP-SWPS-03B
5	10G	G08_018	TO->FROM	FPL SWITCH - WOODWARD 138KV CKT 1	133	153	0.03991	112.6557	ELK CITY 230KV (ELKCTY-6) 230/138/13.8KV TRANSFORMER CKT 1
5	10G	G08_018	TO->FROM	FPL SWITCH - WOODWARD 138KV CKT 1	133	153	0.03991	101.6188	BECKHAM CO 230.00 - STATELINE INTERCHANGE 230KV CKT 1

Group Dispatch Scenario	SEASON	SOURCE	DIRECTION	MONTCOMMONNAME	RATEA	RATEB	TDF	LOADING%	CONTNAME
5	10G	G08_018	TO->FROM	FPL SWITCH - WOODWARD 138KV CKT 1	133	153	0.03991	101.6593	GRAPEVINE INTERCHANGE - STATELINE INTERCHANGE 230KV CKT 1
5	10G	G08_018	TO->FROM	FPL SWITCH - WOODWARD 138KV CKT 1	133	153	0.03991	112.6639	BECKHAM CO 230.00 - ELK CITY 230KV 230KV CKT 1
2	10G	G08_018	TO->FROM	FPL SWITCH - WOODWARD 138KV CKT 1	133	153	0.0399	120.7068	GRAPEVINE INTERCHANGE - STATELINE INTERCHANGE 230KV CKT 1
2	10G	G08_018	TO->FROM	FPL SWITCH - WOODWARD 138KV CKT 1	133	153	0.0399	131.4615	ELK CITY 230KV (ELKCTY-6) 230/138/13.8KV TRANSFORMER CKT 1
2	10G	G08_018	TO->FROM	FPL SWITCH - WOODWARD 138KV CKT 1	133	153	0.0399	120.6768	BECKHAM CO 230.00 - STATELINE INTERCHANGE 230KV CKT 1
2	10G	G08_018	TO->FROM	FPL SWITCH - WOODWARD 138KV CKT 1	133	153	0.0399	131.4643	BECKHAM CO 230.00 - ELK CITY 230KV 230KV CKT 1
2	10G	G08_018	TO->FROM	FPL SWITCH - WOODWARD 138KV CKT 1	133	153	0.03977	105.0563	G07-25T 345.00 - WICHITA 345KV CKT 1
2	10G	G08_018	TO->FROM	FPL SWITCH - WOODWARD 138KV CKT 1	133	153	0.03977	106.7537	G07-25T 345.00 - G08-13T 345.00 345KV CKT 1
2	10G	G08_018	TO->FROM	FPL SWITCH - WOODWARD 138KV CKT 1	133	153	0.03977	108.753	G08-13T 345.00 - WOODRING 345KV CKT 1
5	10G	G08_018	TO->FROM	FPL SWITCH - WOODWARD 138KV CKT 1	133	153	0.03969	102.9974	SPP-SWPS-03B
3	10G	G08_018	TO->FROM	FPL SWITCH - WOODWARD 138KV CKT 1	133	153	0.03968	109.9407	ELK CITY 230KV (ELKCTY-6) 230/138/13.8KV TRANSFORMER CKT 1
3	10G	G08_018	TO->FROM	FPL SWITCH - WOODWARD 138KV CKT 1	133	153	0.03968	109.9459	BECKHAM CO 230.00 - ELK CITY 230KV 230KV CKT 1
2	10G	G08_018	TO->FROM	FPL SWITCH - WOODWARD 138KV CKT 1	133	153	0.03968	121.8661	SPP-SWPS-03B
5	10G	G08_018	TO->FROM	FPL SWITCH - WOODWARD 138KV CKT 1	133	153	0.03964	102.4427	GRAPEVINE INTERCHANGE - STATELINE INTERCHANGE 230KV CKT 1
5	10G	G08_018	TO->FROM	FPL SWITCH - WOODWARD 138KV CKT 1	133	153	0.03964	113.4768	ELK CITY 230KV (ELKCTY-6) 230/138/13.8KV TRANSFORMER CKT 1
5	10G	G08_018	TO->FROM	FPL SWITCH - WOODWARD 138KV CKT 1	133	153	0.03964	102.4097	BECKHAM CO 230.00 - STATELINE INTERCHANGE 230KV CKT 1
5	10G	G08_018	TO->FROM	FPL SWITCH - WOODWARD 138KV CKT 1	133	153	0.03964	113.4847	BECKHAM CO 230.00 - ELK CITY 230KV 230KV CKT 1
2	10G	G08_018	TO->FROM	FPL SWITCH - WOODWARD 138KV CKT 1	133	153	0.03963	131.8555	ELK CITY 230KV (ELKCTY-6) 230/138/13.8KV TRANSFORMER CKT 1
2	10G	G08_018	TO->FROM	FPL SWITCH - WOODWARD 138KV CKT 1	133	153	0.03963	120.9754	GRAPEVINE INTERCHANGE - STATELINE INTERCHANGE 230KV CKT 1
2	10G	G08_018	TO->FROM	FPL SWITCH - WOODWARD 138KV CKT 1	133	153	0.03963	120.9478	BECKHAM CO 230.00 - STATELINE INTERCHANGE 230KV CKT 1
2	10G	G08_018	TO->FROM	FPL SWITCH - WOODWARD 138KV CKT 1	133	153	0.03963	131.8642	BECKHAM CO 230.00 - ELK CITY 230KV 230KV CKT 1
2	10G	G08_018	TO->FROM	FPL SWITCH - WOODWARD 138KV CKT 1	133	153	0.03949	107.8172	COMANCH5 345.00 - MED-LDG5 345.00 345KV CKT 1
2	10G	G08_018	TO->FROM	FPL SWITCH - WOODWARD 138KV CKT 1	133	153	0.03949	107.8172	COMANCH5 345.00 - MED-LDG5 345.00 345KV CKT 2
2	10G	G08_018	TO->FROM	FPL SWITCH - WOODWARD 138KV CKT 1	133	153	0.03947	107.0002	KNOLL345 345.00 - SPEARVILLE 345KV CKT 1
2	10G	G08_018	TO->FROM	FPL SWITCH - WOODWARD 138KV CKT 1	133	153	0.03937	101.3058	MIDPT_BUS 7 345.00 - WWRDEHV7 345.00 345KV CKT 1
2	10G	G08_018	TO->FROM	FPL SWITCH - WOODWARD 138KV CKT 1	133	153	0.03937	100.617	MIDPT_BUS 7 345.00 - TUCO INTERCHANGE 345KV CKT 1
2	10G	G08_018	TO->FROM	FPL SWITCH - WOODWARD 138KV CKT 1	133	153	0.03908	109.3337	G08-13T 345.00 - WOODRING 345KV CKT 1
2	10G	G08_018	TO->FROM	FPL SWITCH - WOODWARD 138KV CKT 1	133	153	0.03908	105.6361	G07-25T 345.00 - WICHITA 345KV CKT 1
2	10G	G08_018	TO->FROM	FPL SWITCH - WOODWARD 138KV CKT 1	133	153	0.03908	107.3404	G07-25T 345.00 - G08-13T 345.00 345KV CKT 1
5	10G	G08_018	TO->FROM	FPL SWITCH - WOODWARD 138KV CKT 1	133	153	0.03886	105.3803	LAWTON EASTSIDE - OKLAUNION 345KV CKT 1
2	10G	G08_018	TO->FROM	FPL SWITCH - WOODWARD 138KV CKT 1	133	153	0.03884	113.2595	G05-15T 345.00 - TUCO INTERCHANGE 345KV CKT 1
2	10G	G08_018	TO->FROM	FPL SWITCH - WOODWARD 138KV CKT 1	133	153	0.03884	116.1673	G05-15T 345.00 - OKLAUNION 345KV CKT 1
2	10G	G08_018	TO->FROM	FPL SWITCH - WOODWARD 138KV CKT 1	133	153	0.03884	126.1891	LAWTON EASTSIDE - OKLAUNION 345KV CKT 1
2	10G	G08_018	TO->FROM	FPL SWITCH - WOODWARD 138KV CKT 1	133	153	0.03881	108.388	COMANCH5 345.00 - MED-LDG5 345.00 345KV CKT 1
2	10G	G08_018	TO->FROM	FPL SWITCH - WOODWARD 138KV CKT 1	133	153	0.03881	108.388	COMANCH5 345.00 - MED-LDG5 345.00 345KV CKT 2
2	10G	G08_018	TO->FROM	FPL SWITCH - WOODWARD 138KV CKT 1	133	153	0.03879	107.563	KNOLL345 345.00 - SPEARVILLE 345KV CKT 1
2	10G	G08_018	TO->FROM	FPL SWITCH - WOODWARD 138KV CKT 1	133	153	0.03856	115.7736	GRAPEVINE INTERCHANGE - NICHOLS STATION 230KV CKT 1
5	10G	G08_018	TO->FROM	DEAF SMITH COUNTY INTERCHANGE - G06-39T	230.00	230.00	0.0385	101.7073	GEN525561 1-TOLK GEN #1 24 KV
5	10G	G08_018	TO->FROM	DEAF SMITH COUNTY INTERCHANGE - G06-39T	230.00	230.00	0.0385	104.1986	GEN525562 1-TOLK GEN #2 24 KV
6	10G	G08_018	TO->FROM	FPL SWITCH - WOODWARD 138KV CKT 1	133	153	0.03848	103.6113	LAWTON EASTSIDE - OKLAUNION 345KV CKT 1
3	10G	G08_018	TO->FROM	FPL SWITCH - WOODWARD 138KV CKT 1	133	153	0.03839	109.0416	LAWTON EASTSIDE - OKLAUNION 345KV CKT 1
5	10G	G08_018	TO->FROM	FPL SWITCH - WOODWARD 138KV CKT 1	133	153	0.03836	106.9611	LAWTON EASTSIDE - OKLAUNION 345KV CKT 1
2	10G	G08_018	TO->FROM	FPL SWITCH - WOODWARD 138KV CKT 1	133	153	0.03834	113.8468	G05-15T 345.00 - TUCO INTERCHANGE 345KV CKT 1
2	10G	G08_018	TO->FROM	FPL SWITCH - WOODWARD 138KV CKT 1	133	153	0.03834	126.9661	LAWTON EASTSIDE - OKLAUNION 345KV CKT 1
2	10G	G08_018	TO->FROM	FPL SWITCH - WOODWARD 138KV CKT 1	133	153	0.03834	116.7903	G05-15T 345.00 - OKLAUNION 345KV CKT 1
2	10G	G08_018	TO->FROM	FPL SWITCH - WOODWARD 138KV CKT 1	133	153	0.0381	116.2812	GRAPEVINE INTERCHANGE - NICHOLS STATION 230KV CKT 1
2	10G	G08_018	TO->FROM	FPL SWITCH - WOODWARD 138KV CKT 1	133	153	0.03793	105.1758	FARGO JCT - WOODWARD 69KV CKT 1
2	10G	G08_018	TO->FROM	FPL SWITCH - WOODWARD 138KV CKT 1	133	153	0.03775	105.1984	AXTELL - KNOLL345 345.00 345KV CKT 1
2	10G	G08_018	TO->FROM	FPL SWITCH - WOODWARD 138KV CKT 1	133	153	0.03775	105.2674	CIMARRON - NORTHWEST 345KV CKT 1

Group Dispatch Scenario	SEASON	SOURCE	DIRECTION	MONTCOMMONNAME	RATEA	RATEB	TDF	LOADING%	CONTNAME	
5	10G	G08_018	TO->FROM	DEAF SMITH COUNTY INTERCHANGE - G06-39T	230.00	230KV	319	351	0.03772	104.7025 GEN525562 1-TOLK GEN #2 24 KV
5	10G	G08_018	TO->FROM	DEAF SMITH COUNTY INTERCHANGE - G06-39T	230.00	230KV	319	351	0.03772	102.5639 GEN525561 1-TOLK GEN #1 24 KV
2	10G	G08_018	TO->FROM	FPL SWITCH - WOODWARD 138KV CKT 1			133	153	0.03762	104.9633 GRAND ISLAND - SWEETWATER 345KV CKT 1
2	10G	G08_018	TO->FROM	FPL SWITCH - WOODWARD 138KV CKT 1			133	153	0.03725	105.7545 FARGO JCT - WOODWARD 69KV CKT 1
2	10G	G08_018	TO->FROM	FPL SWITCH - WOODWARD 138KV CKT 1			133	153	0.03723	105.026 AMRN_OUTS6
2	10G	G08_018	TO->FROM	FPL SWITCH - WOODWARD 138KV CKT 1			133	153	0.03713	104.7297 WRTOD400
2	10G	G08_018	TO->FROM	FPL SWITCH - WOODWARD 138KV CKT 1			133	153	0.03707	105.8461 CIMARRON - NORTHWEST 345KV CKT 1
5	10G	G08_018	FROM->TO	HARPER - MILAN TAP 138KV CKT 1			95.6	95.6	0.03706	111.8206 PP-005
2	10G	G08_018	FROM->TO	HARPER - MILAN TAP 138KV CKT 1			95.6	95.6	0.03703	133.1428 PP-005
2	10G	G08_018	TO->FROM	CLEARWATER - MILAN TAP 138KV CKT 1			110	110	0.03703	106.8548 PP-005
2	10G	G08_018	TO->FROM	FPL SWITCH - WOODWARD 138KV CKT 1			133	153	0.03703	107.3907 DEWEY - TALOGA 138KV CKT 1
2	10G	G08_018	TO->FROM	FPL SWITCH - WOODWARD 138KV CKT 1			133	153	0.03701	100.574 GEN527165 1-Mustang Gen #5
2	10G	G08_018	TO->FROM	FPL SWITCH - WOODWARD 138KV CKT 1			133	153	0.03701	104.6407 GEN521116 1-RHWIND4 138.00
2	10G	G08_018	TO->FROM	FPL SWITCH - WOODWARD 138KV CKT 1			133	153	0.03701	100.5504 GEN527901 1-HOBBS PLANT #1 (CT)
2	10G	G08_018	TO->FROM	FPL SWITCH - WOODWARD 138KV CKT 1			133	153	0.03701	105.9899 GEN520947 1-HUGO1
2	10G	G08_018	TO->FROM	FPL SWITCH - WOODWARD 138KV CKT 1			133	153	0.03701	108.2115 GEN515790 1-FPLWIND2
2	10G	G08_018	TO->FROM	FPL SWITCH - WOODWARD 138KV CKT 1			133	153	0.03701	100.577 GEN527162 1-MUSTANG GEN #2
2	10G	G08_018	TO->FROM	FPL SWITCH - WOODWARD 138KV CKT 1			133	153	0.03701	106.4108 GEN520922 1-SLEEPING 138.00
2	10G	G08_018	TO->FROM	FPL SWITCH - WOODWARD 138KV CKT 1			133	153	0.03701	100.5715 GEN527164 1-MUSTANG GEN #4 22 KV
2	10G	G08_018	TO->FROM	FPL SWITCH - WOODWARD 138KV CKT 1			133	153	0.03701	106.1806 GEN515226 1-MUSKOGEE 6G
2	10G	G08_018	TO->FROM	FPL SWITCH - WOODWARD 138KV CKT 1			133	153	0.03701	106.196 GEN515225 1-MUSKOGEE 5G
2	10G	G08_018	TO->FROM	FPL SWITCH - WOODWARD 138KV CKT 1			133	153	0.03701	106.1532 GEN515223 1-MUSKOGEE 4G
2	10G	G08_018	TO->FROM	FPL SWITCH - WOODWARD 138KV CKT 1			133	153	0.03701	100.4418 GEN527163 1-MUSTANG GEN #3 22 KV
2	10G	G08_018	TO->FROM	FPL SWITCH - WOODWARD 138KV CKT 1			133	153	0.03701	100.577 GEN527161 1-MUSTANG GEN #1
2	10G	G08_018	TO->FROM	FPL SWITCH - WOODWARD 138KV CKT 1			133	153	0.03701	106.2864 GEN509403 1-PIRKEY GENERATION
2	10G	G08_018	TO->FROM	FPL SWITCH - WOODWARD 138KV CKT 1			133	153	0.03701	105.1071 GEN501813 1-RODEMACHER UNIT 3
2	10G	G08_018	TO->FROM	FPL SWITCH - WOODWARD 138KV CKT 1			133	153	0.03701	106.8418 GEN336821 1-GRAND GULF UNIT
2	10G	G08_018	TO->FROM	FPL SWITCH - WOODWARD 138KV CKT 1			133	153	0.03701	105.6637 GEN509404 1-WELSH #1
2	10G	G08_018	TO->FROM	FPL SWITCH - WOODWARD 138KV CKT 1			133	153	0.03701	105.6638 GEN509405 1-WELSH #2
2	10G	G08_018	TO->FROM	FPL SWITCH - WOODWARD 138KV CKT 1			133	153	0.03701	105.664 GEN509406 1-WELSH #3
2	10G	G08_018	TO->FROM	FPL SWITCH - WOODWARD 138KV CKT 1			133	153	0.03701	105.4163 GEN511839 1-NORTHEASTERN STATION #2
2	10G	G08_018	TO->FROM	FPL SWITCH - WOODWARD 138KV CKT 1			133	153	0.03701	105.2362 GEN509394 1-FLINT CREEK
2	10G	G08_018	TO->FROM	FPL SWITCH - WOODWARD 138KV CKT 1			133	153	0.03701	106.9881 GEN337911 1-ARKANSAS NUCLEAR ONE UNIT #2
2	10G	G08_018	TO->FROM	FPL SWITCH - WOODWARD 138KV CKT 1			133	153	0.03701	104.7593 GEN337041 1-GERALD ANDRUS
2	10G	G08_018	TO->FROM	FPL SWITCH - WOODWARD 138KV CKT 1			133	153	0.03701	106.6933 GEN336153 1-WATERFORD UNIT#3
2	10G	G08_018	TO->FROM	FPL SWITCH - WOODWARD 138KV CKT 1			133	153	0.03701	105.4311 GEN337652 1-WHITE BLUFF UNIT #1
2	10G	G08_018	TO->FROM	FPL SWITCH - WOODWARD 138KV CKT 1			133	153	0.03701	105.4389 GEN337653 1-WHITE BLUFF UNIT #2
2	10G	G08_018	TO->FROM	FPL SWITCH - WOODWARD 138KV CKT 1			133	153	0.03701	104.7885 GEN501812 1-RODEMACHER UNIT 2
2	10G	G08_018	TO->FROM	FPL SWITCH - WOODWARD 138KV CKT 1			133	153	0.03701	106.1491 GEN335831 1-RIVERBEND UNIT#1
2	10G	G08_018	TO->FROM	FPL SWITCH - WOODWARD 138KV CKT 1			133	153	0.03701	104.9108 GEN338146 1-INDEPENDENCE UNIT #2
2	10G	G08_018	TO->FROM	FPL SWITCH - WOODWARD 138KV CKT 1			133	153	0.03701	106.3417 GEN501801 1-DOLET HILLS UNIT1
2	10G	G08_018	TO->FROM	FPL SWITCH - WOODWARD 138KV CKT 1			133	153	0.03701	106.2806 GEN337910 1-ARKANSAS NUCLEAR ONE UNIT #1
2	10G	G08_018	TO->FROM	FPL SWITCH - WOODWARD 138KV CKT 1			133	153	0.03701	105.1355 GEN512689 1-GRDA1 GSU1 22
2	10G	G08_018	TO->FROM	FPL SWITCH - WOODWARD 138KV CKT 1			133	153	0.03701	105.6898 GEN511843 1-RIVERSIDE STATION #2
2	10G	G08_018	TO->FROM	FPL SWITCH - WOODWARD 138KV CKT 1			133	153	0.03701	105.6383 GEN512688 2-GRDA1 GSU2 22
2	10G	G08_018	TO->FROM	FPL SWITCH - WOODWARD 138KV CKT 1			133	153	0.03701	105.2174 GEN511841 1-NORTHEASTERN STATION #4
2	10G	G08_018	TO->FROM	FPL SWITCH - WOODWARD 138KV CKT 1			133	153	0.03701	107.5862 GEN511848 1-SOUTHWESTERN STATION #3
2	10G	G08_018	TO->FROM	FPL SWITCH - WOODWARD 138KV CKT 1			133	153	0.03701	105.2446 GEN511840 1-NORTHEASTERN STATION #3
2	10G	G08_018	TO->FROM	FPL SWITCH - WOODWARD 138KV CKT 1			133	153	0.03701	110.2485 GEN514805 1-SOONER UNIT 1
2	10G	G08_018	TO->FROM	FPL SWITCH - WOODWARD 138KV CKT 1			133	153	0.03701	107.6471 GEN514806 1-SOONER UNIT 2
2	10G	G08_018	TO->FROM	FPL SWITCH - WOODWARD 138KV CKT 1			133	153	0.03701	105.6351 GEN511842 1-RIVERSIDE STATION #1
2	10G	G08_018	TO->FROM	FPL SWITCH - WOODWARD 138KV CKT 1			133	153	0.03701	100.6005 GEN560035 1-G03-13-1 0.6000
2	10G	G08_018	TO->FROM	FPL SWITCH - WOODWARD 138KV CKT 1			133	153	0.03701	105.12 GEN560152 1-G06-46 0.6000
2	10G	G08_018	TO->FROM	FPL SWITCH - WOODWARD 138KV CKT 1			133	153	0.03701	100.5504 GEN527902 1-HOBBS PLANT #2 (CT)
2	10G	G08_018	TO->FROM	FPL SWITCH - WOODWARD 138KV CKT 1			133	153	0.03701	100.3224 GEN542957 1-IATAN UNIT #1
2	10G	G08_018	TO->FROM	FPL SWITCH - WOODWARD 138KV CKT 1			133	153	0.03701	100.1575 GEN560067 1-G06-49-3 0.6000
2	10G	G08_018	TO->FROM	FPL SWITCH - WOODWARD 138KV CKT 1			133	153	0.03701	100.2899 GEN532751 1-WOLF CREEK GENERATING STATION UNIT 1
2	10G	G08_018	TO->FROM	FPL SWITCH - WOODWARD 138KV CKT 1			133	153	0.03701	100.0881 GEN645001 1-FORT CALHOUN 1
2	10G	G08_018	TO->FROM	FPL SWITCH - WOODWARD 138KV CKT 1			133	153	0.03701	115.4238 GEN560183 1-G07-51 0.6000
2	10G	G08_018	TO->FROM	FPL SWITCH - WOODWARD 138KV CKT 1			133	153	0.03701	100.6005 GEN560036 1-G03-13-2 0.6000
2	10G	G08_018	TO->FROM	FPL SWITCH - WOODWARD 138KV CKT 1			133	153	0.03701	118.0828 BASE CASE
2	10G	G08_018	TO->FROM	FPL SWITCH - WOODWARD 138KV CKT 1			133	153	0.03696	105.5246 GRAND ISLAND - SWEETWATER 345KV CKT 1

Group Dispatch Scenario	SEASON	SOURCE	DIRECTION	MONTCOMMONNAME	RATEA	RATEB	TDF	LOADING%	CONTNAME
2	10G	G08_018	TO->FROM	FPL SWITCH - WOODWARD 138KV CKT 1	133	153	0.03695	100.497	OGE3TERM4
1	10G	G08_018	TO->FROM	CLEARWATER - MILAN TAP 138KV CKT 1	110	110	0.03693	107.7224	PP-005
1	10G	G08_018	FROM->TO	HARPER - MILAN TAP 138KV CKT 1	95.6	95.6	0.03693	134.1493	PP-005
3	10G	G08_018	FROM->TO	HARPER - MILAN TAP 138KV CKT 1	95.6	95.6	0.03692	145.745	PP-005
3	10G	G08_018	FROM->TO	CLEARWATER - GILL ENERGY CENTER WEST 138KV CKT 1	110	110	0.03692	107.3164	PP-005
3	10G	G08_018	TO->FROM	CLEARWATER - MILAN TAP 138KV CKT 1	110	110	0.03692	117.847	PP-005
5	10G	G08_018	FROM->TO	HARPER - MILAN TAP 138KV CKT 1	95.6	95.6	0.03689	112.455	PP-005
2	10G	G08_018	FROM->TO	HARPER - MILAN TAP 138KV CKT 1	95.6	95.6	0.03686	133.3466	PP-005
2	10G	G08_018	TO->FROM	CLEARWATER - MILAN TAP 138KV CKT 1	110	110	0.03686	107.0316	PP-005
2	10G	G08_018	TO->FROM	FPL SWITCH - WOODWARD 138KV CKT 1	133	153	0.03684	100.4914	ALVA - KNOBHILL 69KV CKT 1
2	10G	G08_018	TO->FROM	FPL SWITCH - WOODWARD 138KV CKT 1	133	153	0.03679	105.105	ELK CITY - FALCON ROAD 138KV CKT 1
2	10G	G08_018	TO->FROM	FPL SWITCH - WOODWARD 138KV CKT 1	133	153	0.03673	100.3692	WEATHERFORD JCT. - WEATHERFORD SOUTHEAST 138KV CKT 1
3	10G	G08_018	FROM->TO	SPEARVILLE (SPEARVL) 345/230/13.8KV TRANSFORMER CKT 1	336	336	0.03667	100.4576	GRAY CO 345.00 - SPEARVILLE 345KV CKT 1
3	10G	G08_018	FROM->TO	SPEARVILLE (SPEARVL) 345/230/13.8KV TRANSFORMER CKT 1	336	336	0.03667	101.4578	GRAY CO 345.00 - HOLCOMB 345KV CKT 1
3	10G	G08_018	FROM->TO	SPEARVILLE (SPEARVL) 345/230/13.8KV TRANSFORMER CKT 1	336	336	0.03667	105.6014	GRAY CO 345.00 - HOLCOMB 345KV CKT 1
3	10G	G08_018	FROM->TO	SPEARVILLE (SPEARVL) 345/230/13.8KV TRANSFORMER CKT 1	336	336	0.03667	104.2472	GRAY CO 345.00 - SPEARVILLE 345KV CKT 1
2	10G	G08_018	TO->FROM	FPL SWITCH - WOODWARD 138KV CKT 1	133	153	0.03656	105.5927	AMRN_OUTS6
2	10G	G08_018	TO->FROM	FPL SWITCH - WOODWARD 138KV CKT 1	133	153	0.03655	100.2202	LYDIA - VALLIANT 345KV CKT 1
2	10G	G08_018	TO->FROM	FPL SWITCH - WOODWARD 138KV CKT 1	133	153	0.03654	100.311	SPP-AEPW-01
2	10G	G08_018	TO->FROM	FPL SWITCH - WOODWARD 138KV CKT 1	133	153	0.03646	105.2973	WRTOD400
2	10G	G08_018	TO->FROM	FPL SWITCH - WOODWARD 138KV CKT 1	133	153	0.03638	100.6564	OKEENE - WATONGA SW 69KV CKT 1
3	10G	G08_018	TO->FROM	FPL SWITCH - WOODWARD 138KV CKT 1	133	153	0.03637	104.5285	BASE CASE
3	10G	G08_018	TO->FROM	FPL SWITCH - WOODWARD 138KV CKT 1	133	153	0.03637	103.7955	GEN560183 1-G07-51 0.6000
2	10G	G08_018	TO->FROM	FPL SWITCH - WOODWARD 138KV CKT 1	133	153	0.03635	118.7333	BASE CASE
2	10G	G08_018	TO->FROM	FPL SWITCH - WOODWARD 138KV CKT 1	133	153	0.03635	100.7099	GEN645001 1-FORT CALHOUN 1
2	10G	G08_018	TO->FROM	FPL SWITCH - WOODWARD 138KV CKT 1	133	153	0.03635	100.5353	GEN560049 1-G05-17-3 34.500
2	10G	G08_018	TO->FROM	FPL SWITCH - WOODWARD 138KV CKT 1	133	153	0.03635	100.1916	GEN560055 1-G06-44-2 0.6000
2	10G	G08_018	TO->FROM	FPL SWITCH - WOODWARD 138KV CKT 1	133	153	0.03635	105.6877	GEN560152 1-G06-46 0.6000
2	10G	G08_018	TO->FROM	FPL SWITCH - WOODWARD 138KV CKT 1	133	153	0.03635	100.3857	GEN560066 1-G06-49-2 0.6000
2	10G	G08_018	TO->FROM	FPL SWITCH - WOODWARD 138KV CKT 1	133	153	0.03635	101.1998	GEN560036 1-G03-13-2 0.6000
2	10G	G08_018	TO->FROM	FPL SWITCH - WOODWARD 138KV CKT 1	133	153	0.03635	100.7653	GEN560067 1-G06-49-3 0.6000
2	10G	G08_018	TO->FROM	FPL SWITCH - WOODWARD 138KV CKT 1	133	153	0.03635	100.5353	GEN560045 1-G05-17-1 34.500
2	10G	G08_018	TO->FROM	FPL SWITCH - WOODWARD 138KV CKT 1	133	153	0.03635	115.9935	GEN560183 1-G07-51 0.6000
2	10G	G08_018	TO->FROM	FPL SWITCH - WOODWARD 138KV CKT 1	133	153	0.03635	100.3352	GEN560065 1-G06-49-1 0.6000
2	10G	G08_018	TO->FROM	FPL SWITCH - WOODWARD 138KV CKT 1	133	153	0.03635	101.0321	GEN527162 1-MUSTANG GEN #2
2	10G	G08_018	TO->FROM	FPL SWITCH - WOODWARD 138KV CKT 1	133	153	0.03635	106.2706	GEN511843 1-RIVERSIDE STATION #2
2	10G	G08_018	TO->FROM	FPL SWITCH - WOODWARD 138KV CKT 1	133	153	0.03635	105.8308	GEN511840 1-NORTHEASTERN STATION #3
2	10G	G08_018	TO->FROM	FPL SWITCH - WOODWARD 138KV CKT 1	133	153	0.03635	100.0649	GEN532651 1-JEFFREY ENERGY CENTER UNIT 1
2	10G	G08_018	TO->FROM	FPL SWITCH - WOODWARD 138KV CKT 1	133	153	0.03635	107.4885	GEN336821 1-GRAND GULF UNIT
2	10G	G08_018	TO->FROM	FPL SWITCH - WOODWARD 138KV CKT 1	133	153	0.03635	100.108	GEN527903 1-HOBBS PLANT #3 (ST)
2	10G	G08_018	TO->FROM	FPL SWITCH - WOODWARD 138KV CKT 1	133	153	0.03635	105.3711	GEN337041 1-GERALD ANDRUS
2	10G	G08_018	TO->FROM	FPL SWITCH - WOODWARD 138KV CKT 1	133	153	0.03635	101.0321	GEN527161 1-MUSTANG GEN #1
2	10G	G08_018	TO->FROM	FPL SWITCH - WOODWARD 138KV CKT 1	133	153	0.03635	108.7793	GEN515790 1-FPLWND2
2	10G	G08_018	TO->FROM	FPL SWITCH - WOODWARD 138KV CKT 1	133	153	0.03635	101.0027	GEN527902 1-HOBBS PLANT #2 (CT)
2	10G	G08_018	TO->FROM	FPL SWITCH - WOODWARD 138KV CKT 1	133	153	0.03635	106.0456	GEN337652 1-WHITE BLUFF UNIT #1
2	10G	G08_018	TO->FROM	FPL SWITCH - WOODWARD 138KV CKT 1	133	153	0.03635	105.7033	GEN501813 1-RODEMACHER UNIT 3
2	10G	G08_018	TO->FROM	FPL SWITCH - WOODWARD 138KV CKT 1	133	153	0.03635	106.2157	GEN511842 1-RIVERSIDE STATION #1
2	10G	G08_018	TO->FROM	FPL SWITCH - WOODWARD 138KV CKT 1	133	153	0.03635	101.0027	GEN527901 1-HOBBS PLANT #1 (CT)
2	10G	G08_018	TO->FROM	FPL SWITCH - WOODWARD 138KV CKT 1	133	153	0.03635	105.3809	GEN501812 1-RODEMACHER UNIT 2
2	10G	G08_018	TO->FROM	FPL SWITCH - WOODWARD 138KV CKT 1	133	153	0.03635	107.3299	GEN336153 1-WATERFORD UNIT#3
2	10G	G08_018	TO->FROM	FPL SWITCH - WOODWARD 138KV CKT 1	133	153	0.03635	106.0534	GEN337653 1-WHITE BLUFF UNIT #2
2	10G	G08_018	TO->FROM	FPL SWITCH - WOODWARD 138KV CKT 1	133	153	0.03635	106.0014	GEN511839 1-NORTHEASTERN STATION #2
2	10G	G08_018	TO->FROM	FPL SWITCH - WOODWARD 138KV CKT 1	133	153	0.03635	106.7619	GEN515226 1-MUSKOGEE 6G
2	10G	G08_018	TO->FROM	FPL SWITCH - WOODWARD 138KV CKT 1	133	153	0.03635	100.3116	GEN527882 1-CUNNINGHAM GEN #2 20 KV
2	10G	G08_018	TO->FROM	FPL SWITCH - WOODWARD 138KV CKT 1	133	153	0.03635	106.8966	GEN337910 1-ARKANSAS NUCLEAR ONE UNIT #1
2	10G	G08_018	TO->FROM	FPL SWITCH - WOODWARD 138KV CKT 1	133	153	0.03635	105.8033	GEN511841 1-NORTHEASTERN STATION #4
2	10G	G08_018	TO->FROM	FPL SWITCH - WOODWARD 138KV CKT 1	133	153	0.03635	100.889	GEN527163 1-MUSTANG GEN #3 22 KV
2	10G	G08_018	TO->FROM	FPL SWITCH - WOODWARD 138KV CKT 1	133	153	0.03635	101.0284	GEN527165 1-Mustang Gen #5
2	10G	G08_018	TO->FROM	FPL SWITCH - WOODWARD 138KV CKT 1	133	153	0.03635	107.6139	GEN337911 1-ARKANSAS NUCLEAR ONE UNIT #2
2	10G	G08_018	TO->FROM	FPL SWITCH - WOODWARD 138KV CKT 1	133	153	0.03635	106.7773	GEN515225 1-MUSKOGEE 5G
2	10G	G08_018	TO->FROM	FPL SWITCH - WOODWARD 138KV CKT 1	133	153	0.03635	106.9292	GEN501801 1-DOLET HILLS UNIT1

Group Dispatch Scenario	SEASON	SOURCE	DIRECTION	MONTCOMMONNAME	RATEA	RATEB	TDF	LOADING%	CONTNAME
2	10G	G08_018	TO->FROM	FPL SWITCH - WOODWARD 138KV CKT 1	133	153	0.03635	101.0258	GEN527164 1-MUSTANG GEN #4 22 KV
2	10G	G08_018	TO->FROM	FPL SWITCH - WOODWARD 138KV CKT 1	133	153	0.03635	105.532	GEN338146 1-INDEPENDENCE UNIT #2
2	10G	G08_018	TO->FROM	FPL SWITCH - WOODWARD 138KV CKT 1	133	153	0.03635	106.7343	GEN515223 1-MUSKOGEE 4G
2	10G	G08_018	TO->FROM	FPL SWITCH - WOODWARD 138KV CKT 1	133	153	0.03635	105.7195	GEN512689 1-GRDA1 GSU1 22
2	10G	G08_018	TO->FROM	FPL SWITCH - WOODWARD 138KV CKT 1	133	153	0.03635	106.2393	GEN509404 1-WELSH #1
2	10G	G08_018	TO->FROM	FPL SWITCH - WOODWARD 138KV CKT 1	133	153	0.03635	106.2269	GEN512688 2-GRDA1 GSU2 22
2	10G	G08_018	TO->FROM	FPL SWITCH - WOODWARD 138KV CKT 1	133	153	0.03635	100.954	GEN542957 1-IATAN UNIT #1
2	10G	G08_018	TO->FROM	FPL SWITCH - WOODWARD 138KV CKT 1	133	153	0.03635	110.8397	GEN514805 1-SOONER UNIT 1
2	10G	G08_018	TO->FROM	FPL SWITCH - WOODWARD 138KV CKT 1	133	153	0.03635	106.2394	GEN509405 1-WELSH #2
2	10G	G08_018	TO->FROM	FPL SWITCH - WOODWARD 138KV CKT 1	133	153	0.03635	108.238	GEN514806 1-SOONER UNIT 2
2	10G	G08_018	TO->FROM	FPL SWITCH - WOODWARD 138KV CKT 1	133	153	0.03635	100.3908	GEN560032 1-G02-06 0.6000
2	10G	G08_018	TO->FROM	FPL SWITCH - WOODWARD 138KV CKT 1	133	153	0.03635	108.1232	GEN511848 1-SOUTHWESTERN STATION #3
2	10G	G08_018	TO->FROM	FPL SWITCH - WOODWARD 138KV CKT 1	133	153	0.03635	100.9736	GEN532751 1-WOLF CREEK GENERATING STATION UNIT 1
2	10G	G08_018	TO->FROM	FPL SWITCH - WOODWARD 138KV CKT 1	133	153	0.03635	100.2116	GEN539670 4-JUDSON LARGE GENERATOR
2	10G	G08_018	TO->FROM	FPL SWITCH - WOODWARD 138KV CKT 1	133	153	0.03635	106.868	GEN509403 1-PIRKEY GENERATION
2	10G	G08_018	TO->FROM	FPL SWITCH - WOODWARD 138KV CKT 1	133	153	0.03635	106.2396	GEN509406 1-WELSH #3
2	10G	G08_018	TO->FROM	FPL SWITCH - WOODWARD 138KV CKT 1	133	153	0.03635	101.1998	GEN560035 1-G03-13-1 0.6000
2	10G	G08_018	TO->FROM	FPL SWITCH - WOODWARD 138KV CKT 1	133	153	0.03635	106.5534	GEN520947 1-HUGO1
2	10G	G08_018	TO->FROM	FPL SWITCH - WOODWARD 138KV CKT 1	133	153	0.03635	105.8264	GEN509394 1-FLINT CREEK
2	10G	G08_018	TO->FROM	FPL SWITCH - WOODWARD 138KV CKT 1	133	153	0.03635	106.777	GEN335831 1-RIVERBEND UNIT#1
2	10G	G08_018	TO->FROM	FPL SWITCH - WOODWARD 138KV CKT 1	133	153	0.03635	100.0742	GEN532652 1-JEFFREY ENERGY CENTER UNIT 2
2	10G	G08_018	TO->FROM	FPL SWITCH - WOODWARD 138KV CKT 1	133	153	0.03635	106.9845	GEN520922 1-SLEEPING 138.00
2	10G	G08_018	TO->FROM	FPL SWITCH - WOODWARD 138KV CKT 1	133	153	0.03635	100.0739	GEN532653 1-JEFFREY ENERGY CENTER UNIT 3
2	10G	G08_018	TO->FROM	FPL SWITCH - WOODWARD 138KV CKT 1	133	153	0.03635	105.1952	GEN521116 1-RHWIND4 138.00
2	10G	G08_018	TO->FROM	FPL SWITCH - WOODWARD 138KV CKT 1	133	153	0.03633	108.0076	DEWEY - TALOGA 138KV CKT 1
2	10G	G08_018	TO->FROM	FPL SWITCH - WOODWARD 138KV CKT 1	133	153	0.03631	111.6982	WOODRING (WOODRNG2) 345/138/13.8KV TRANSFORMER CKT 1
2	10G	G08_018	TO->FROM	FPL SWITCH - WOODWARD 138KV CKT 1	133	153	0.03629	101.0716	OGE3TERM4
2	10G	G08_018	TO->FROM	FPL SWITCH - WOODWARD 138KV CKT 1	133	153	0.03618	101.0671	ALVA - KNOBHILL 69KV CKT 1
2	10G	G08_018	TO->FROM	FPL SWITCH - WOODWARD 138KV CKT 1	133	153	0.03614	105.6677	ELK CITY - FALCON ROAD 138KV CKT 1
2	10G	G08_018	TO->FROM	FPL SWITCH - WOODWARD 138KV CKT 1	133	153	0.03605	100.9922	WEATHERFORD JCT. - WEATHERFORD SOUTHEAST 138KV CKT 1
2	10G	G08_018	TO->FROM	FPL SWITCH - WOODWARD 138KV CKT 1	133	153	0.036	100.1551	HELENAT2 69.000 - SALINE 69KV CKT 1
2	10G	G08_018	TO->FROM	FPL SWITCH - WOODWARD 138KV CKT 1	133	153	0.03589	100.8241	LYDIA - VALLIANT 345KV CKT 1
2	10G	G08_018	TO->FROM	FPL SWITCH - WOODWARD 138KV CKT 1	133	153	0.03588	100.914	SPP-AEPW-01
2	10G	G08_018	TO->FROM	FPL SWITCH - WOODWARD 138KV CKT 1	133	153	0.03573	101.2153	OKEENE - WATONGA SW 69KV CKT 1
3	10G	G08_018	TO->FROM	FPL SWITCH - WOODWARD 138KV CKT 1	133	153	0.03566	101.4462	WOODRING (WOODRNG2) 345/138/13.8KV TRANSFORMER CKT 1
2	10G	G08_018	TO->FROM	FPL SWITCH - WOODWARD 138KV CKT 1	133	153	0.03565	112.2775	WOODRING (WOODRNG2) 345/138/13.8KV TRANSFORMER CKT 1
2	10G	G08_018	TO->FROM	FPL SWITCH - WOODWARD 138KV CKT 1	133	153	0.03534	100.7181	HELENAT2 69.000 - SALINE 69KV CKT 1
2	10G	G08_018	TO->FROM	FPL SWITCH - WOODWARD 138KV CKT 1	133	153	0.03534	100.3264	KNOBHILL - SALINE 69KV CKT 1
2	10G	G08_018	TO->FROM	FPL SWITCH - WOODWARD 138KV CKT 1	133	153	0.03517	107.8209	COMANCH5 345.00 - WWRDEHV7 345.00 345KV CKT 1
2	10G	G08_018	TO->FROM	FPL SWITCH - WOODWARD 138KV CKT 1	133	153	0.03517	107.8209	COMANCH5 345.00 - WWRDEHV7 345.00 345KV CKT 2
2	10G	G08_018	TO->FROM	FPL SWITCH - WOODWARD 138KV CKT 1	133	153	0.03498	100.1539	DOVER SW - HENESSEY 138KV CKT 1
2	10G	G08_018	TO->FROM	FPL SWITCH - WOODWARD 138KV CKT 1	133	153	0.0345	108.3936	COMANCH5 345.00 - WWRDEHV7 345.00 345KV CKT 1
2	10G	G08_018	TO->FROM	FPL SWITCH - WOODWARD 138KV CKT 1	133	153	0.0345	108.3936	COMANCH5 345.00 - WWRDEHV7 345.00 345KV CKT 2
2	10G	G08_018	TO->FROM	FPL SWITCH - WOODWARD 138KV CKT 1	133	153	0.03431	100.7217	DOVER SW - HENESSEY 138KV CKT 1
5	10G	G08_018	FROM->TO	ELK CITY 230KV (ELKCTY-6) 230/138/13.8KV TRANSFORMER CKT 1	287	287	0.0332	109.0949	PP-001
5	10G	G08_018	FROM->TO	ELK CITY 230KV (ELKCTY-6) 230/138/13.8KV TRANSFORMER CKT 1	287	287	0.0332	110.8034	PP-001
2	10G	G08_018	FROM->TO	ELK CITY 230KV (ELKCTY-6) 230/138/13.8KV TRANSFORMER CKT 1	287	287	0.03318	112.7523	PP-001
2	10G	G08_018	FROM->TO	ELK CITY 230KV (ELKCTY-6) 230/138/13.8KV TRANSFORMER CKT 1	287	287	0.03318	110.9247	PP-001
2	10G	G08_018	TO->FROM	FPL SWITCH - WOODWARD 138KV CKT 1	133	153	0.03137	109.0362	FINNEY SWITCHING STATION - STEVENS CO 345.00 345KV CKT 1
2	10G	G08_018	FROM->TO	ELK CITY 230KV (ELKCTY-6) 230/138/13.8KV TRANSFORMER CKT 1	287	287	0.03124	112.4501	PP-001
2	10G	G08_018	FROM->TO	ELK CITY 230KV (ELKCTY-6) 230/138/13.8KV TRANSFORMER CKT 1	287	287	0.03124	110.6381	PP-001
5	10G	G08_018	FROM->TO	ELK CITY 230KV (ELKCTY-6) 230/138/13.8KV TRANSFORMER CKT 1	287	287	0.03124	110.1414	PP-001
5	10G	G08_018	FROM->TO	ELK CITY 230KV (ELKCTY-6) 230/138/13.8KV TRANSFORMER CKT 1	287	287	0.03124	111.8999	PP-001
2	10G	G08_018	TO->FROM	FPL SWITCH - WOODWARD 138KV CKT 1	133	153	0.03096	109.3439	FINNEY SWITCHING STATION - STEVENS CO 345.00 345KV CKT 1
5	10G	G08_019	TO->FROM	FPL SWITCH - WOODWARD 138KV CKT 1	133	153	0.09804	120.5301	NORTHWEST - TATONGA EHV 345.00 345KV CKT 1
2	10G	G08_019	TO->FROM	FPL SWITCH - WOODWARD 138KV CKT 1	133	153	0.09803	150.9249	NORTHWEST - TATONGA EHV 345.00 345KV CKT 1

Group Dispatch Scenario	SEASON	SOURCE	DIRECTION	MONTCOMMONNAME	RATEA	RATEB	TDF	LOADING%	CONTNAME
6	10G	G08_019	TO->FROM	FPL SWITCH - WOODWARD 138KV CKT 1	133	153	0.09747	112.5493	NORTHWEST - TATONGA EHV 345.00 345KV CKT 1
4	10G	G08_019	TO->FROM	FPL SWITCH - WOODWARD 138KV CKT 1	133	153	0.09739	110.2918	NORTHWEST - TATONGA EHV 345.00 345KV CKT 1
3	10G	G08_019	TO->FROM	FPL SWITCH - WOODWARD 138KV CKT 1	133	153	0.09737	131.1963	NORTHWEST - TATONGA EHV 345.00 345KV CKT 1
5	10G	G08_019	TO->FROM	FPL SWITCH - WOODWARD 138KV CKT 1	133	153	0.09735	122.3248	NORTHWEST - TATONGA EHV 345.00 345KV CKT 1
2	10G	G08_019	TO->FROM	FPL SWITCH - WOODWARD 138KV CKT 1	133	153	0.09733	151.4358	NORTHWEST - TATONGA EHV 345.00 345KV CKT 1
5	10G	G08_019	TO->FROM	FPL SWITCH - WOODWARD 138KV CKT 1	133	153	0.07788	106.1716	PP-002
2	10G	G08_019	TO->FROM	FPL SWITCH - WOODWARD 138KV CKT 1	133	153	0.07786	131.6566	PP-002
5	10G	G08_019	TO->FROM	FPL SWITCH - WOODWARD 138KV CKT 1	133	153	0.07746	107.8422	PP-002
2	10G	G08_019	TO->FROM	FPL SWITCH - WOODWARD 138KV CKT 1	133	153	0.07743	132.2336	PP-002
5	10G	G08_019	TO->FROM	FPL SWITCH - WOODWARD 138KV CKT 1	133	153	0.06124	108.529	PP-004
2	10G	G08_019	TO->FROM	FPL SWITCH - WOODWARD 138KV CKT 1	133	153	0.06121	138.522	PP-004
6	10G	G08_019	TO->FROM	FPL SWITCH - WOODWARD 138KV CKT 1	133	153	0.06087	100.7719	PP-004
3	10G	G08_019	TO->FROM	FPL SWITCH - WOODWARD 138KV CKT 1	133	153	0.06077	117.4055	PP-004
5	10G	G08_019	TO->FROM	FPL SWITCH - WOODWARD 138KV CKT 1	133	153	0.06074	110.271	PP-004
2	10G	G08_019	TO->FROM	FPL SWITCH - WOODWARD 138KV CKT 1	133	153	0.06071	139.0566	PP-004
5	10G	G08_019	TO->FROM	FPL SWITCH - WOODWARD 138KV CKT 1	133	153	0.05866	102.8339	PP-005
2	10G	G08_019	TO->FROM	FPL SWITCH - WOODWARD 138KV CKT 1	133	153	0.05864	132.1268	PP-005
3	10G	G08_019	TO->FROM	FPL SWITCH - WOODWARD 138KV CKT 1	133	153	0.0582	118.0589	PP-005
5	10G	G08_019	TO->FROM	FPL SWITCH - WOODWARD 138KV CKT 1	133	153	0.05818	104.5751	PP-005
2	10G	G08_019	TO->FROM	FPL SWITCH - WOODWARD 138KV CKT 1	133	153	0.05815	132.677	PP-005
2	10G	G08_019	TO->FROM	FPL SWITCH - WOODWARD 138KV CKT 1	133	153	0.05242	123.0314	IODINE - WWRDEHV4 138.00 138KV CKT 1
2	10G	G08_019	TO->FROM	FPL SWITCH - WOODWARD 138KV CKT 1	133	153	0.05242	121.8739	DEWEY - IODINE 138KV CKT 1
3	10G	G08_019	TO->FROM	FPL SWITCH - WOODWARD 138KV CKT 1	133	153	0.05199	107.3417	DEWEY - IODINE 138KV CKT 1
3	10G	G08_019	TO->FROM	FPL SWITCH - WOODWARD 138KV CKT 1	133	153	0.05199	108.502	IODINE - WWRDEHV4 138.00 138KV CKT 1
2	10G	G08_019	TO->FROM	FPL SWITCH - WOODWARD 138KV CKT 1	133	153	0.05197	123.6773	IODINE - WWRDEHV4 138.00 138KV CKT 1
2	10G	G08_019	TO->FROM	FPL SWITCH - WOODWARD 138KV CKT 1	133	153	0.05197	122.5298	DEWEY - IODINE 138KV CKT 1
5	10G	G08_019	TO->FROM	FPL SWITCH - WOODWARD 138KV CKT 1	133	153	0.05053	103.6646	WOODWARD (WOODWRD2) 138/69/13.2KV TRANSFORMER CKT 1
2	10G	G08_019	TO->FROM	FPL SWITCH - WOODWARD 138KV CKT 1	133	153	0.05052	129.6591	WOODWARD (WOODWRD2) 138/69/13.2KV TRANSFORMER CKT 1
2	10G	G08_019	TO->FROM	FPL SWITCH - WOODWARD 138KV CKT 1	133	153	0.05052	116.5829	WOODWARD - WOODWARD 69KV CKT 1
2	10G	G08_019	TO->FROM	FPL SWITCH - WOODWARD 138KV CKT 1	133	153	0.05041	107.8209	COMANCH5 345.00 - WWRDEHV7 345.00 345KV CKT 2
2	10G	G08_019	TO->FROM	FPL SWITCH - WOODWARD 138KV CKT 1	133	153	0.05041	107.8209	COMANCH5 345.00 - WWRDEHV7 345.00 345KV CKT 1
6	10G	G08_019	TO->FROM	FPL SWITCH - WOODWARD 138KV CKT 1	133	153	0.05016	100.1109	WOODWARD (WOODWRD2) 138/69/13.2KV TRANSFORMER CKT 1
3	10G	G08_019	TO->FROM	FPL SWITCH - WOODWARD 138KV CKT 1	133	153	0.05009	103.0948	WOODWARD - WOODWARD 69KV CKT 1
5	10G	G08_019	TO->FROM	FPL SWITCH - WOODWARD 138KV CKT 1	133	153	0.05009	105.493	WOODWARD (WOODWRD2) 138/69/13.2KV TRANSFORMER CKT 1
3	10G	G08_019	TO->FROM	FPL SWITCH - WOODWARD 138KV CKT 1	133	153	0.05009	116.1487	WOODWARD (WOODWRD2) 138/69/13.2KV TRANSFORMER CKT 1
2	10G	G08_019	TO->FROM	FPL SWITCH - WOODWARD 138KV CKT 1	133	153	0.05007	130.3005	WOODWARD (WOODWRD2) 138/69/13.2KV TRANSFORMER CKT 1
2	10G	G08_019	TO->FROM	FPL SWITCH - WOODWARD 138KV CKT 1	133	153	0.05007	117.2225	WOODWARD - WOODWARD 69KV CKT 1
2	10G	G08_019	TO->FROM	FPL SWITCH - WOODWARD 138KV CKT 1	133	153	0.05001	108.3936	COMANCH5 345.00 - WWRDEHV7 345.00 345KV CKT 2
2	10G	G08_019	TO->FROM	FPL SWITCH - WOODWARD 138KV CKT 1	133	153	0.05001	108.3936	COMANCH5 345.00 - WWRDEHV7 345.00 345KV CKT 1
2	10G	G08_019	TO->FROM	FPL SWITCH - WOODWARD 138KV CKT 1	133	153	0.04982	100.4631	MIDPT_BUS 7 345.00 - WWRDEHV7 345.00 345KV CKT 1
2	10G	G08_019	TO->FROM	FPL SWITCH - WOODWARD 138KV CKT 1	133	153	0.04913	101.3058	MIDPT_BUS 7 345.00 - WWRDEHV7 345.00 345KV CKT 1
2	10G	G08_019	TO->FROM	FPL SWITCH - WOODWARD 138KV CKT 1	133	153	0.04913	100.617	MIDPT_BUS 7 345.00 - TUCO INTERCHANGE 345KV CKT 1
2	10G	G08_019	TO->FROM	FPL SWITCH - WOODWARD 138KV CKT 1	133	153	0.04784	109.2019	MED-LDG5 345.00 - WICHITA 345KV CKT 1
2	10G	G08_019	TO->FROM	FPL SWITCH - WOODWARD 138KV CKT 1	133	153	0.04784	109.2019	MED-LDG5 345.00 - WICHITA 345KV CKT 2
2	10G	G08_019	TO->FROM	FPL SWITCH - WOODWARD 138KV CKT 1	133	153	0.04753	105.2674	CIMARRON - NORTHWEST 345KV CKT 1
2	10G	G08_019	TO->FROM	FPL SWITCH - WOODWARD 138KV CKT 1	133	153	0.04743	109.7732	MED-LDG5 345.00 - WICHITA 345KV CKT 1
2	10G	G08_019	TO->FROM	FPL SWITCH - WOODWARD 138KV CKT 1	133	153	0.04743	109.7732	MED-LDG5 345.00 - WICHITA 345KV CKT 2
2	10G	G08_019	TO->FROM	FPL SWITCH - WOODWARD 138KV CKT 1	133	153	0.0471	105.8461	CIMARRON - NORTHWEST 345KV CKT 1
2	10G	G08_019	TO->FROM	FPL SWITCH - WOODWARD 138KV CKT 1	133	153	0.04704	107.8172	COMANCH5 345.00 - MED-LDG5 345.00 345KV CKT 2
2	10G	G08_019	TO->FROM	FPL SWITCH - WOODWARD 138KV CKT 1	133	153	0.04704	107.8172	COMANCH5 345.00 - MED-LDG5 345.00 345KV CKT 1
2	10G	G08_019	TO->FROM	FPL SWITCH - WOODWARD 138KV CKT 1	133	153	0.04663	108.388	COMANCH5 345.00 - MED-LDG5 345.00 345KV CKT 1
2	10G	G08_019	TO->FROM	FPL SWITCH - WOODWARD 138KV CKT 1	133	153	0.04663	108.388	COMANCH5 345.00 - MED-LDG5 345.00 345KV CKT 2
2	10G	G08_019	TO->FROM	FPL SWITCH - WOODWARD 138KV CKT 1	133	153	0.04638	107.0002	KNOLL345 345.00 - SPEARVILLE 345KV CKT 1
2	10G	G08_019	TO->FROM	FPL SWITCH - WOODWARD 138KV CKT 1	133	153	0.04608	104.6931	MINGO - RED WILLOW 345KV CKT 1
2	10G	G08_019	TO->FROM	FPL SWITCH - WOODWARD 138KV CKT 1	133	153	0.04597	107.563	KNOLL345 345.00 - SPEARVILLE 345KV CKT 1
2	10G	G08_019	TO->FROM	FPL SWITCH - WOODWARD 138KV CKT 1	133	153	0.04587	105.1758	FARGO JCT - WOODWARD 69KV CKT 1

Group Dispatch Scenario	SEASON	SOURCE	DIRECTION	MONTCOMMONNAME	RATEA	RATEB	TDF	LOADING%	CONTNAME
2	10G	G08_019	TO->FROM	FPL SWITCH - WOODWARD 138KV CKT 1	133	153	0.04585	105.7432	MINGO - SETAB 345KV CKT 1
2	10G	G08_019	TO->FROM	FPL SWITCH - WOODWARD 138KV CKT 1	133	153	0.0457	107.3907	DEWEY - TALOGA 138KV CKT 1
2	10G	G08_019	TO->FROM	FPL SWITCH - WOODWARD 138KV CKT 1	133	153	0.04566	105.2578	MINGO - RED WILLOW 345KV CKT 1
2	10G	G08_019	TO->FROM	FPL SWITCH - WOODWARD 138KV CKT 1	133	153	0.04553	109.0362	FINNEY SWITCHING STATION - STEVENS CO 345.00 345KV CKT 1
2	10G	G08_019	TO->FROM	FPL SWITCH - WOODWARD 138KV CKT 1	133	153	0.04553	105.1984	AXTELL - KNOLL345 345.00 345KV CKT 1
2	10G	G08_019	TO->FROM	FPL SWITCH - WOODWARD 138KV CKT 1	133	153	0.04546	105.7545	FARGO JCT - WOODWARD 69KV CKT 1
2	10G	G08_019	TO->FROM	FPL SWITCH - WOODWARD 138KV CKT 1	133	153	0.04544	106.2933	MINGO - SETAB 345KV CKT 1
5	10G	G08_019	TO->FROM	FPL SWITCH - WOODWARD 138KV CKT 1	133	153	0.04537	105.3803	LAWTON EASTSIDE - OKLAUNION 345KV CKT 1
2	10G	G08_019	TO->FROM	FPL SWITCH - WOODWARD 138KV CKT 1	133	153	0.04535	113.2595	G05-15T 345.00 - TUCO INTERCHANGE 345KV CKT 1
2	10G	G08_019	TO->FROM	FPL SWITCH - WOODWARD 138KV CKT 1	133	153	0.04535	126.1891	LAWTON EASTSIDE - OKLAUNION 345KV CKT 1
2	10G	G08_019	TO->FROM	FPL SWITCH - WOODWARD 138KV CKT 1	133	153	0.04535	116.1673	G05-15T 345.00 - OKLAUNION 345KV CKT 1
2	10G	G08_019	TO->FROM	FPL SWITCH - WOODWARD 138KV CKT 1	133	153	0.04528	108.0076	DEWEY - TALOGA 138KV CKT 1
6	10G	G08_019	TO->FROM	FPL SWITCH - WOODWARD 138KV CKT 1	133	153	0.04518	103.6113	LAWTON EASTSIDE - OKLAUNION 345KV CKT 1
3	10G	G08_019	TO->FROM	FPL SWITCH - WOODWARD 138KV CKT 1	133	153	0.0451	109.0416	LAWTON EASTSIDE - OKLAUNION 345KV CKT 1
2	10G	G08_019	TO->FROM	FPL SWITCH - WOODWARD 138KV CKT 1	133	153	0.04507	109.3439	FINNEY SWITCHING STATION - STEVENS CO 345.00 345KV CKT 1
5	10G	G08_019	TO->FROM	FPL SWITCH - WOODWARD 138KV CKT 1	133	153	0.04506	106.9611	LAWTON EASTSIDE - OKLAUNION 345KV CKT 1
2	10G	G08_019	TO->FROM	FPL SWITCH - WOODWARD 138KV CKT 1	133	153	0.04504	113.8468	G05-15T 345.00 - TUCO INTERCHANGE 345KV CKT 1
2	10G	G08_019	TO->FROM	FPL SWITCH - WOODWARD 138KV CKT 1	133	153	0.04504	116.7903	G05-15T 345.00 - OKLAUNION 345KV CKT 1
2	10G	G08_019	TO->FROM	FPL SWITCH - WOODWARD 138KV CKT 1	133	153	0.04504	126.9661	LAWTON EASTSIDE - OKLAUNION 345KV CKT 1
2	10G	G08_019	TO->FROM	FPL SWITCH - WOODWARD 138KV CKT 1	133	153	0.04496	104.9633	GRAND ISLAND - SWEETWATER 345KV CKT 1
2	10G	G08_019	TO->FROM	FPL SWITCH - WOODWARD 138KV CKT 1	133	153	0.04485	104.7297	WRTOD400
2	10G	G08_019	TO->FROM	FPL SWITCH - WOODWARD 138KV CKT 1	133	153	0.04475	100.5504	GEN527901 1-HOBBS PLANT #1 (CT)
2	10G	G08_019	TO->FROM	FPL SWITCH - WOODWARD 138KV CKT 1	133	153	0.04475	106.6933	GEN336153 1-WATERFORD UNIT#3
2	10G	G08_019	TO->FROM	FPL SWITCH - WOODWARD 138KV CKT 1	133	153	0.04475	100.577	GEN527162 1-MUSTANG GEN #2
2	10G	G08_019	TO->FROM	FPL SWITCH - WOODWARD 138KV CKT 1	133	153	0.04475	100.5715	GEN527164 1-MUSTANG GEN #4 22 KV
2	10G	G08_019	TO->FROM	FPL SWITCH - WOODWARD 138KV CKT 1	133	153	0.04475	106.1491	GEN335831 1-RIVERBEND UNIT#1
2	10G	G08_019	TO->FROM	FPL SWITCH - WOODWARD 138KV CKT 1	133	153	0.04475	100.574	GEN527165 1-Mustang Gen #5
2	10G	G08_019	TO->FROM	FPL SWITCH - WOODWARD 138KV CKT 1	133	153	0.04475	100.4418	GEN527163 1-MUSTANG GEN #3 22 KV
2	10G	G08_019	TO->FROM	FPL SWITCH - WOODWARD 138KV CKT 1	133	153	0.04475	105.2446	GEN511840 1-NORTHEASTERN STATION #3
2	10G	G08_019	TO->FROM	FPL SWITCH - WOODWARD 138KV CKT 1	133	153	0.04475	106.8418	GEN336821 1-GRAND GULF UNIT
2	10G	G08_019	TO->FROM	FPL SWITCH - WOODWARD 138KV CKT 1	133	153	0.04475	108.2115	GEN515790 1-FPLWND2
2	10G	G08_019	TO->FROM	FPL SWITCH - WOODWARD 138KV CKT 1	133	153	0.04475	105.6637	GEN509404 1-WELSH #1
2	10G	G08_019	TO->FROM	FPL SWITCH - WOODWARD 138KV CKT 1	133	153	0.04475	105.6638	GEN509405 1-WELSH #2
2	10G	G08_019	TO->FROM	FPL SWITCH - WOODWARD 138KV CKT 1	133	153	0.04475	105.664	GEN509406 1-WELSH #3
2	10G	G08_019	TO->FROM	FPL SWITCH - WOODWARD 138KV CKT 1	133	153	0.04475	105.1071	GEN501813 1-RODEMACHER UNIT 3
2	10G	G08_019	TO->FROM	FPL SWITCH - WOODWARD 138KV CKT 1	133	153	0.04475	106.1806	GEN515226 1-MUSKOGEE 6G
2	10G	G08_019	TO->FROM	FPL SWITCH - WOODWARD 138KV CKT 1	133	153	0.04475	105.2362	GEN509394 1-FLINT CREEK
2	10G	G08_019	TO->FROM	FPL SWITCH - WOODWARD 138KV CKT 1	133	153	0.04475	105.2174	GEN511841 1-NORTHEASTERN STATION #4
2	10G	G08_019	TO->FROM	FPL SWITCH - WOODWARD 138KV CKT 1	133	153	0.04475	105.6351	GEN511842 1-RIVERSIDE STATION #1
2	10G	G08_019	TO->FROM	FPL SWITCH - WOODWARD 138KV CKT 1	133	153	0.04475	106.196	GEN515225 1-MUSKOGEE 5G
2	10G	G08_019	TO->FROM	FPL SWITCH - WOODWARD 138KV CKT 1	133	153	0.04475	105.6898	GEN511843 1-RIVERSIDE STATION #2
2	10G	G08_019	TO->FROM	FPL SWITCH - WOODWARD 138KV CKT 1	133	153	0.04475	107.5862	GEN511848 1-SOUTHWESTERN STATION #3
2	10G	G08_019	TO->FROM	FPL SWITCH - WOODWARD 138KV CKT 1	133	153	0.04475	105.6383	GEN512688 2-GRDA1 GSU2 22
2	10G	G08_019	TO->FROM	FPL SWITCH - WOODWARD 138KV CKT 1	133	153	0.04475	105.1355	GEN512689 1-GRDA1 GSU1 22
2	10G	G08_019	TO->FROM	FPL SWITCH - WOODWARD 138KV CKT 1	133	153	0.04475	106.1532	GEN515223 1-MUSKOGEE 4G
2	10G	G08_019	TO->FROM	FPL SWITCH - WOODWARD 138KV CKT 1	133	153	0.04475	110.2485	GEN514805 1-SOONER UNIT 1
2	10G	G08_019	TO->FROM	FPL SWITCH - WOODWARD 138KV CKT 1	133	153	0.04475	107.6471	GEN514806 1-SOONER UNIT 2
2	10G	G08_019	TO->FROM	FPL SWITCH - WOODWARD 138KV CKT 1	133	153	0.04475	105.4163	GEN511839 1-NORTHEASTERN STATION #2
2	10G	G08_019	TO->FROM	FPL SWITCH - WOODWARD 138KV CKT 1	133	153	0.04475	100.577	GEN527161 1-MUSTANG GEN #1
2	10G	G08_019	TO->FROM	FPL SWITCH - WOODWARD 138KV CKT 1	133	153	0.04475	104.7593	GEN337041 1-GERALD ANDRUS
2	10G	G08_019	TO->FROM	FPL SWITCH - WOODWARD 138KV CKT 1	133	153	0.04475	105.4311	GEN337652 1-WHITE BLUFF UNIT #1
2	10G	G08_019	TO->FROM	FPL SWITCH - WOODWARD 138KV CKT 1	133	153	0.04475	104.6407	GEN521116 1-RHWIND4 138.00
2	10G	G08_019	TO->FROM	FPL SWITCH - WOODWARD 138KV CKT 1	133	153	0.04475	105.4389	GEN337653 1-WHITE BLUFF UNIT #2
2	10G	G08_019	TO->FROM	FPL SWITCH - WOODWARD 138KV CKT 1	133	153	0.04475	106.2864	GEN509403 1-PIRKEY GENERATION
2	10G	G08_019	TO->FROM	FPL SWITCH - WOODWARD 138KV CKT 1	133	153	0.04475	106.2806	GEN337910 1-ARKANSAS NUCLEAR ONE UNIT #1
2	10G	G08_019	TO->FROM	FPL SWITCH - WOODWARD 138KV CKT 1	133	153	0.04475	106.9881	GEN337911 1-ARKANSAS NUCLEAR ONE UNIT #2
2	10G	G08_019	TO->FROM	FPL SWITCH - WOODWARD 138KV CKT 1	133	153	0.04475	105.9899	GEN520947 1-HUGO1
2	10G	G08_019	TO->FROM	FPL SWITCH - WOODWARD 138KV CKT 1	133	153	0.04475	104.9108	GEN338146 1-INDEPENDENCE UNIT #2
2	10G	G08_019	TO->FROM	FPL SWITCH - WOODWARD 138KV CKT 1	133	153	0.04475	106.4108	GEN520922 1-SLEEPING 138.00
2	10G	G08_019	TO->FROM	FPL SWITCH - WOODWARD 138KV CKT 1	133	153	0.04475	104.7885	GEN501812 1-RODEMACHER UNIT 2

Group Dispatch Scenario	SEASON	SOURCE	DIRECTION	MONTCOMMONNAME	RATEA	RATEB	TDF	LOADING%	CONTNAME
2	10G	G08_019	TO->FROM	FPL SWITCH - WOODWARD 138KV CKT 1	133	153	0.04475	106.3417	GEN501801 1-DOLET HILLS UNIT1
2	10G	G08_019	TO->FROM	FPL SWITCH - WOODWARD 138KV CKT 1	133	153	0.04475	100.5504	GEN527902 1-HOBBS PLANT #2 (CT)
2	10G	G08_019	TO->FROM	FPL SWITCH - WOODWARD 138KV CKT 1	133	153	0.04475	100.0881	GEN645001 1-FORT CALHOUN 1
2	10G	G08_019	TO->FROM	FPL SWITCH - WOODWARD 138KV CKT 1	133	153	0.04475	100.6005	GEN560035 1-G03-13-1 0.6000
2	10G	G08_019	TO->FROM	FPL SWITCH - WOODWARD 138KV CKT 1	133	153	0.04475	100.6005	GEN560036 1-G03-13-2 0.6000
2	10G	G08_019	TO->FROM	FPL SWITCH - WOODWARD 138KV CKT 1	133	153	0.04475	100.3224	GEN542957 1-IATAN UNIT #1
2	10G	G08_019	TO->FROM	FPL SWITCH - WOODWARD 138KV CKT 1	133	153	0.04475	100.2899	GEN532751 1-WOLF CREEK GENERATING STATION UNIT 1
2	10G	G08_019	TO->FROM	FPL SWITCH - WOODWARD 138KV CKT 1	133	153	0.04475	100.1575	GEN560067 1-G06-49-3 0.6000
2	10G	G08_019	TO->FROM	FPL SWITCH - WOODWARD 138KV CKT 1	133	153	0.04475	105.12	GEN560152 1-G06-46 0.6000
2	10G	G08_019	TO->FROM	FPL SWITCH - WOODWARD 138KV CKT 1	133	153	0.04475	115.4238	GEN560183 1-G07-51 0.6000
2	10G	G08_019	TO->FROM	FPL SWITCH - WOODWARD 138KV CKT 1	133	153	0.04475	118.0828	BASE CASE
2	10G	G08_019	TO->FROM	FPL SWITCH - WOODWARD 138KV CKT 1	133	153	0.04472	100.3692	WEATHERFORD JCT. - WEATHERFORD SOUTHEAST 138KV CKT 1
2	10G	G08_019	TO->FROM	FPL SWITCH - WOODWARD 138KV CKT 1	133	153	0.04464	105.026	AMRN_OUTS6
2	10G	G08_019	TO->FROM	FPL SWITCH - WOODWARD 138KV CKT 1	133	153	0.04464	115.7736	GRAPEVINE INTERCHANGE - NICHOLS STATION 230KV CKT 1
2	10G	G08_019	TO->FROM	FPL SWITCH - WOODWARD 138KV CKT 1	133	153	0.04463	100.497	OGE3TERM4
2	10G	G08_019	TO->FROM	FPL SWITCH - WOODWARD 138KV CKT 1	133	153	0.04456	105.5246	GRAND ISLAND - SWEETWATER 345KV CKT 1
2	10G	G08_019	TO->FROM	FPL SWITCH - WOODWARD 138KV CKT 1	133	153	0.04455	100.4914	ALVA - KNOBHILL 69KV CKT 1
2	10G	G08_019	TO->FROM	FPL SWITCH - WOODWARD 138KV CKT 1	133	153	0.04451	106.7537	G07-25T 345.00 - G08-13T 345.00 345KV CKT 1
2	10G	G08_019	TO->FROM	FPL SWITCH - WOODWARD 138KV CKT 1	133	153	0.04451	105.0563	G07-25T 345.00 - WICHITA 345KV CKT 1
2	10G	G08_019	TO->FROM	FPL SWITCH - WOODWARD 138KV CKT 1	133	153	0.04451	108.753	G08-13T 345.00 - WOODRING 345KV CKT 1
2	10G	G08_019	TO->FROM	FPL SWITCH - WOODWARD 138KV CKT 1	133	153	0.04445	105.2973	WRTOD400
5	10G	G08_019	TO->FROM	FPL SWITCH - WOODWARD 138KV CKT 1	133	153	0.04444	102.2629	SPP-SWPS-03B
5	10G	G08_019	TO->FROM	FPL SWITCH - WOODWARD 138KV CKT 1	133	153	0.04444	112.6557	ELK CITY 230KV (ELKCTY-6) 230/138/13.8KV TRANSFORMER CKT 1
5	10G	G08_019	TO->FROM	FPL SWITCH - WOODWARD 138KV CKT 1	133	153	0.04444	101.6188	BECKHAM CO 230.00 - STATELINE INTERCHANGE 230KV CKT 1
5	10G	G08_019	TO->FROM	FPL SWITCH - WOODWARD 138KV CKT 1	133	153	0.04444	112.6639	BECKHAM CO 230.00 - ELK CITY 230KV 230KV CKT 1
5	10G	G08_019	TO->FROM	FPL SWITCH - WOODWARD 138KV CKT 1	133	153	0.04444	101.6593	GRAPEVINE INTERCHANGE - STATELINE INTERCHANGE 230KV CKT 1
2	10G	G08_019	TO->FROM	FPL SWITCH - WOODWARD 138KV CKT 1	133	153	0.04443	120.6768	BECKHAM CO 230.00 - STATELINE INTERCHANGE 230KV CKT 1
2	10G	G08_019	TO->FROM	FPL SWITCH - WOODWARD 138KV CKT 1	133	153	0.04443	131.4615	ELK CITY 230KV (ELKCTY-6) 230/138/13.8KV TRANSFORMER CKT 1
2	10G	G08_019	TO->FROM	FPL SWITCH - WOODWARD 138KV CKT 1	133	153	0.04443	121.5565	SPP-SWPS-03B
2	10G	G08_019	TO->FROM	FPL SWITCH - WOODWARD 138KV CKT 1	133	153	0.04443	120.7068	GRAPEVINE INTERCHANGE - STATELINE INTERCHANGE 230KV CKT 1
2	10G	G08_019	TO->FROM	FPL SWITCH - WOODWARD 138KV CKT 1	133	153	0.04443	131.4643	BECKHAM CO 230.00 - ELK CITY 230KV 230KV CKT 1
2	10G	G08_019	TO->FROM	FPL SWITCH - WOODWARD 138KV CKT 1	133	153	0.0444	105.105	ELK CITY - FALCON ROAD 138KV CKT 1
3	10G	G08_019	TO->FROM	FPL SWITCH - WOODWARD 138KV CKT 1	133	153	0.04437	103.7955	GEN560183 1-G07-51 0.6000
3	10G	G08_019	TO->FROM	FPL SWITCH - WOODWARD 138KV CKT 1	133	153	0.04437	104.5285	BASE CASE
2	10G	G08_019	TO->FROM	FPL SWITCH - WOODWARD 138KV CKT 1	133	153	0.04435	118.7333	BASE CASE
2	10G	G08_019	TO->FROM	FPL SWITCH - WOODWARD 138KV CKT 1	133	153	0.04435	116.2812	GRAPEVINE INTERCHANGE - NICHOLS STATION 230KV CKT 1
2	10G	G08_019	TO->FROM	FPL SWITCH - WOODWARD 138KV CKT 1	133	153	0.04435	105.7195	GEN512689 1-GRDA1 GSU1 22
2	10G	G08_019	TO->FROM	FPL SWITCH - WOODWARD 138KV CKT 1	133	153	0.04435	106.2269	GEN512688 2-GRDA1 GSU2 22
2	10G	G08_019	TO->FROM	FPL SWITCH - WOODWARD 138KV CKT 1	133	153	0.04435	106.2394	GEN509405 1-WELSH #2
2	10G	G08_019	TO->FROM	FPL SWITCH - WOODWARD 138KV CKT 1	133	153	0.04435	110.8397	GEN514805 1-SOONER UNIT 1
2	10G	G08_019	TO->FROM	FPL SWITCH - WOODWARD 138KV CKT 1	133	153	0.04435	108.238	GEN514806 1-SOONER UNIT 2
2	10G	G08_019	TO->FROM	FPL SWITCH - WOODWARD 138KV CKT 1	133	153	0.04435	106.2396	GEN509406 1-WELSH #3
2	10G	G08_019	TO->FROM	FPL SWITCH - WOODWARD 138KV CKT 1	133	153	0.04435	106.9845	GEN520922 1-SLEEPING 138.00
2	10G	G08_019	TO->FROM	FPL SWITCH - WOODWARD 138KV CKT 1	133	153	0.04435	115.9935	GEN560183 1-G07-51 0.6000
2	10G	G08_019	TO->FROM	FPL SWITCH - WOODWARD 138KV CKT 1	133	153	0.04435	108.1232	GEN511848 1-SOUTHWESTERN STATION #3
2	10G	G08_019	TO->FROM	FPL SWITCH - WOODWARD 138KV CKT 1	133	153	0.04435	106.7343	GEN515223 1-MUSKOGEE 4G
2	10G	G08_019	TO->FROM	FPL SWITCH - WOODWARD 138KV CKT 1	133	153	0.04435	108.7793	GEN515790 1-FPLWND2
2	10G	G08_019	TO->FROM	FPL SWITCH - WOODWARD 138KV CKT 1	133	153	0.04435	105.8308	GEN511840 1-NORTHEASTERN STATION #3
2	10G	G08_019	TO->FROM	FPL SWITCH - WOODWARD 138KV CKT 1	133	153	0.04435	100.7099	GEN645001 1-FORT CALHOUN 1
2	10G	G08_019	TO->FROM	FPL SWITCH - WOODWARD 138KV CKT 1	133	153	0.04435	100.7653	GEN560067 1-G06-49-3 0.6000
2	10G	G08_019	TO->FROM	FPL SWITCH - WOODWARD 138KV CKT 1	133	153	0.04435	106.2157	GEN511842 1-RIVERSIDE STATION #1
2	10G	G08_019	TO->FROM	FPL SWITCH - WOODWARD 138KV CKT 1	133	153	0.04435	105.8033	GEN511841 1-NORTHEASTERN STATION #4
2	10G	G08_019	TO->FROM	FPL SWITCH - WOODWARD 138KV CKT 1	133	153	0.04435	106.0014	GEN511839 1-NORTHEASTERN STATION #2

Group Dispatch Scenario	SEASON	SOURCE	DIRECTION	MONTCOMMONNAME	RATEA	RATEB	TDF	LOADING%	CONTNAME
2	10G	G08_019	TO->FROM	FPL SWITCH - WOODWARD 138KV CKT 1	133	153	0.04435	106.7619	GEN515226 1-MUSKOGEE 6G
2	10G	G08_019	TO->FROM	FPL SWITCH - WOODWARD 138KV CKT 1	133	153	0.04435	105.6877	GEN560152 1-G06-46 0.6000
2	10G	G08_019	TO->FROM	FPL SWITCH - WOODWARD 138KV CKT 1	133	153	0.04435	106.7773	GEN515225 1-MUSKOGEE 5G
2	10G	G08_019	TO->FROM	FPL SWITCH - WOODWARD 138KV CKT 1	133	153	0.04435	106.2706	GEN511843 1-RIVERSIDE STATION #2
2	10G	G08_019	TO->FROM	FPL SWITCH - WOODWARD 138KV CKT 1	133	153	0.04435	107.3299	GEN336153 1-WATERFORD UNIT#3
2	10G	G08_019	TO->FROM	FPL SWITCH - WOODWARD 138KV CKT 1	133	153	0.04435	101.0284	GEN527165 1-Mustang Gen #5
2	10G	G08_019	TO->FROM	FPL SWITCH - WOODWARD 138KV CKT 1	133	153	0.04435	100.3116	GEN527882 1-CUNNINGHAM GEN #2 20 KV
2	10G	G08_019	TO->FROM	FPL SWITCH - WOODWARD 138KV CKT 1	133	153	0.04435	105.3809	GEN501812 1-RODEMACHER UNIT 2
2	10G	G08_019	TO->FROM	FPL SWITCH - WOODWARD 138KV CKT 1	133	153	0.04435	100.5353	GEN560049 1-G05-17-3 34.500
2	10G	G08_019	TO->FROM	FPL SWITCH - WOODWARD 138KV CKT 1	133	153	0.04435	101.0027	GEN527901 1-HOBBS PLANT #1 (CT)
2	10G	G08_019	TO->FROM	FPL SWITCH - WOODWARD 138KV CKT 1	133	153	0.04435	106.0456	GEN337652 1-WHITE BLUFF UNIT #1
2	10G	G08_019	TO->FROM	FPL SWITCH - WOODWARD 138KV CKT 1	133	153	0.04435	101.0027	GEN527902 1-HOBBS PLANT #2 (CT)
2	10G	G08_019	TO->FROM	FPL SWITCH - WOODWARD 138KV CKT 1	133	153	0.04435	105.3711	GEN337041 1-GERALD ANDRUS
2	10G	G08_019	TO->FROM	FPL SWITCH - WOODWARD 138KV CKT 1	133	153	0.04435	107.6139	GEN337911 1-ARKANSAS NUCLEAR ONE UNIT #2
2	10G	G08_019	TO->FROM	FPL SWITCH - WOODWARD 138KV CKT 1	133	153	0.04435	100.0649	GEN532651 1-JEFFREY ENERGY CENTER UNIT 1
2	10G	G08_019	TO->FROM	FPL SWITCH - WOODWARD 138KV CKT 1	133	153	0.04435	106.8966	GEN337910 1-ARKANSAS NUCLEAR ONE UNIT #1
2	10G	G08_019	TO->FROM	FPL SWITCH - WOODWARD 138KV CKT 1	133	153	0.04435	100.5353	GEN560045 1-G05-17-1 34.500
2	10G	G08_019	TO->FROM	FPL SWITCH - WOODWARD 138KV CKT 1	133	153	0.04435	106.777	GEN335831 1-RIVERBEND UNIT#1
2	10G	G08_019	TO->FROM	FPL SWITCH - WOODWARD 138KV CKT 1	133	153	0.04435	100.0742	GEN532652 1-JEFFREY ENERGY CENTER UNIT 2
2	10G	G08_019	TO->FROM	FPL SWITCH - WOODWARD 138KV CKT 1	133	153	0.04435	100.0739	GEN532653 1-JEFFREY ENERGY CENTER UNIT 3
2	10G	G08_019	TO->FROM	FPL SWITCH - WOODWARD 138KV CKT 1	133	153	0.04435	100.9736	GEN532751 1-WOLF CREEK GENERATING STATION UNIT 1
2	10G	G08_019	TO->FROM	FPL SWITCH - WOODWARD 138KV CKT 1	133	153	0.04435	100.2116	GEN539670 4-JUDSON LARGE GENERATOR
2	10G	G08_019	TO->FROM	FPL SWITCH - WOODWARD 138KV CKT 1	133	153	0.04435	101.1998	GEN560036 1-G03-13-2 0.6000
2	10G	G08_019	TO->FROM	FPL SWITCH - WOODWARD 138KV CKT 1	133	153	0.04435	100.954	GEN542957 1-IATAN UNIT #1
2	10G	G08_019	TO->FROM	FPL SWITCH - WOODWARD 138KV CKT 1	133	153	0.04435	100.3908	GEN560032 1-G02-06 0.6000
2	10G	G08_019	TO->FROM	FPL SWITCH - WOODWARD 138KV CKT 1	133	153	0.04435	107.4885	GEN336821 1-GRAND GULF UNIT
2	10G	G08_019	TO->FROM	FPL SWITCH - WOODWARD 138KV CKT 1	133	153	0.04435	106.2393	GEN509404 1-WELSH #1
2	10G	G08_019	TO->FROM	FPL SWITCH - WOODWARD 138KV CKT 1	133	153	0.04435	106.5534	GEN520947 1-HUGO1
2	10G	G08_019	TO->FROM	FPL SWITCH - WOODWARD 138KV CKT 1	133	153	0.04435	106.868	GEN509403 1-PIRKEY GENERATION
2	10G	G08_019	TO->FROM	FPL SWITCH - WOODWARD 138KV CKT 1	133	153	0.04435	100.3857	GEN560066 1-G06-49-2 0.6000
2	10G	G08_019	TO->FROM	FPL SWITCH - WOODWARD 138KV CKT 1	133	153	0.04435	105.1952	GEN521116 1-RHWIND4 138.00
2	10G	G08_019	TO->FROM	FPL SWITCH - WOODWARD 138KV CKT 1	133	153	0.04435	106.0534	GEN337653 1-WHITE BLUFF UNIT #2
2	10G	G08_019	TO->FROM	FPL SWITCH - WOODWARD 138KV CKT 1	133	153	0.04435	105.8264	GEN509394 1-FLINT CREEK
2	10G	G08_019	TO->FROM	FPL SWITCH - WOODWARD 138KV CKT 1	133	153	0.04435	100.1916	GEN560055 1-G06-44-2 0.6000
2	10G	G08_019	TO->FROM	FPL SWITCH - WOODWARD 138KV CKT 1	133	153	0.04435	101.0321	GEN527161 1-MUSTANG GEN #1
2	10G	G08_019	TO->FROM	FPL SWITCH - WOODWARD 138KV CKT 1	133	153	0.04435	100.889	GEN527163 1-MUSTANG GEN #3 22 KV
2	10G	G08_019	TO->FROM	FPL SWITCH - WOODWARD 138KV CKT 1	133	153	0.04435	101.0258	GEN527164 1-MUSTANG GEN #4 22 KV
2	10G	G08_019	TO->FROM	FPL SWITCH - WOODWARD 138KV CKT 1	133	153	0.04435	105.532	GEN338146 1-INDEPENDENCE UNIT #2
2	10G	G08_019	TO->FROM	FPL SWITCH - WOODWARD 138KV CKT 1	133	153	0.04435	106.9292	GEN501801 1-DOLET HILLS UNIT1
2	10G	G08_019	TO->FROM	FPL SWITCH - WOODWARD 138KV CKT 1	133	153	0.04435	105.7033	GEN501813 1-RODEMACHER UNIT 3
2	10G	G08_019	TO->FROM	FPL SWITCH - WOODWARD 138KV CKT 1	133	153	0.04435	101.1998	GEN560035 1-G03-13-1 0.6000
2	10G	G08_019	TO->FROM	FPL SWITCH - WOODWARD 138KV CKT 1	133	153	0.04435	100.108	GEN527903 1-HOBBS PLANT #3 (ST)
2	10G	G08_019	TO->FROM	FPL SWITCH - WOODWARD 138KV CKT 1	133	153	0.04435	101.0321	GEN527162 1-MUSTANG GEN #2
2	10G	G08_019	TO->FROM	FPL SWITCH - WOODWARD 138KV CKT 1	133	153	0.04435	100.3352	GEN560065 1-G06-49-1 0.6000
3	10G	G08_019	TO->FROM	FPL SWITCH - WOODWARD 138KV CKT 1	133	153	0.04431	109.9459	BECKHAM CO 230.00 - ELK CITY 230KV 230KV CKT 1
3	10G	G08_019	TO->FROM	FPL SWITCH - WOODWARD 138KV CKT 1	133	153	0.04431	109.9407	ELK CITY 230KV (ELKCTY-6) 230/138/13.8KV TRANSFORMER CKT 1
2	10G	G08_019	TO->FROM	FPL SWITCH - WOODWARD 138KV CKT 1	133	153	0.04431	100.9922	WEATHERFORD JCT. - WEATHERFORD SOUTHEAST 138KV CKT 1
5	10G	G08_019	TO->FROM	FPL SWITCH - WOODWARD 138KV CKT 1	133	153	0.04427	102.4097	BECKHAM CO 230.00 - STATELINE INTERCHANGE 230KV CKT 1
5	10G	G08_019	TO->FROM	FPL SWITCH - WOODWARD 138KV CKT 1	133	153	0.04427	102.4427	GRAPEVINE INTERCHANGE - STATELINE INTERCHANGE 230KV CKT 1
5	10G	G08_019	TO->FROM	FPL SWITCH - WOODWARD 138KV CKT 1	133	153	0.04427	113.4768	ELK CITY 230KV (ELKCTY-6) 230/138/13.8KV TRANSFORMER CKT 1
5	10G	G08_019	TO->FROM	FPL SWITCH - WOODWARD 138KV CKT 1	133	153	0.04427	113.4847	BECKHAM CO 230.00 - ELK CITY 230KV 230KV CKT 1
5	10G	G08_019	TO->FROM	FPL SWITCH - WOODWARD 138KV CKT 1	133	153	0.04427	102.9974	SPP-SWPS-03B
2	10G	G08_019	TO->FROM	FPL SWITCH - WOODWARD 138KV CKT 1	133	153	0.04426	121.8661	SPP-SWPS-03B
2	10G	G08_019	TO->FROM	FPL SWITCH - WOODWARD 138KV CKT 1	133	153	0.04425	131.8642	BECKHAM CO 230.00 - ELK CITY 230KV 230KV CKT 1
2	10G	G08_019	TO->FROM	FPL SWITCH - WOODWARD 138KV CKT 1	133	153	0.04425	120.9754	GRAPEVINE INTERCHANGE - STATELINE INTERCHANGE 230KV CKT 1

Appendix H

Group Dispatch Scenario	SEASON	SOURCE	DIRECTION	MONTCOMMONNAME	RATEA	RATEB	TDF	LOADING%	CONTNAME
2	10G	G08_019	TO->FROM	FPL SWITCH - WOODWARD 138KV CKT 1	133	153	0.04425	120.9478	BECKHAM CO 230.00 - STATELINE INTERCHANGE 230KV CKT 1
2	10G	G08_019	TO->FROM	FPL SWITCH - WOODWARD 138KV CKT 1	133	153	0.04425	131.8555	ELK CITY 230KV (ELKCTY-6) 230/138/13.8KV TRANSFORMER CKT 1
2	10G	G08_019	TO->FROM	FPL SWITCH - WOODWARD 138KV CKT 1	133	153	0.04424	105.5927	AMRN_OUTS6
2	10G	G08_019	TO->FROM	FPL SWITCH - WOODWARD 138KV CKT 1	133	153	0.04423	101.0716	OGE3TERM4
2	10G	G08_019	TO->FROM	FPL SWITCH - WOODWARD 138KV CKT 1	133	153	0.04415	101.0671	ALVA - KNOBHILL 69KV CKT 1
2	10G	G08_019	TO->FROM	FPL SWITCH - WOODWARD 138KV CKT 1	133	153	0.04412	100.6564	OKEENE - WATONGA SW 69KV CKT 1
2	10G	G08_019	TO->FROM	FPL SWITCH - WOODWARD 138KV CKT 1	133	153	0.0441	105.6361	G07-25T 345.00 - WICHITA 345KV CKT 1
2	10G	G08_019	TO->FROM	FPL SWITCH - WOODWARD 138KV CKT 1	133	153	0.0441	109.3337	G08-13T 345.00 - WOODRING 345KV CKT 1
2	10G	G08_019	TO->FROM	FPL SWITCH - WOODWARD 138KV CKT 1	133	153	0.0441	107.3404	G07-25T 345.00 - G08-13T 345.00 345KV CKT 1
2	10G	G08_019	TO->FROM	FPL SWITCH - WOODWARD 138KV CKT 1	133	153	0.04408	100.2202	LYDIA - VALLIANT 345KV CKT 1
2	10G	G08_019	TO->FROM	FPL SWITCH - WOODWARD 138KV CKT 1	133	153	0.04407	100.311	SPP-AEPW-01
2	10G	G08_019	TO->FROM	FPL SWITCH - WOODWARD 138KV CKT 1	133	153	0.04401	105.6677	ELK CITY - FALCON ROAD 138KV CKT 1
2	10G	G08_019	TO->FROM	FPL SWITCH - WOODWARD 138KV CKT 1	133	153	0.04373	101.2153	OKEENE - WATONGA SW 69KV CKT 1
2	10G	G08_019	TO->FROM	FPL SWITCH - WOODWARD 138KV CKT 1	133	153	0.04368	100.8241	LYDIA - VALLIANT 345KV CKT 1
2	10G	G08_019	TO->FROM	FPL SWITCH - WOODWARD 138KV CKT 1	133	153	0.04368	100.914	SPP-AEPW-01
2	10G	G08_019	TO->FROM	FPL SWITCH - WOODWARD 138KV CKT 1	133	153	0.04354	100.1551	HELENAT2 69.000 - SALINE 69KV CKT 1
2	10G	G08_019	TO->FROM	FPL SWITCH - WOODWARD 138KV CKT 1	133	153	0.04329	111.6982	WOODRING (WOODRNG2) 345/138/13.8KV TRANSFORMER CKT 1
2	10G	G08_019	TO->FROM	FPL SWITCH - WOODWARD 138KV CKT 1	133	153	0.04314	100.3264	KNOBHILL - SALINE 69KV CKT 1
2	10G	G08_019	TO->FROM	FPL SWITCH - WOODWARD 138KV CKT 1	133	153	0.04314	100.7181	HELENAT2 69.000 - SALINE 69KV CKT 1
3	10G	G08_019	TO->FROM	FPL SWITCH - WOODWARD 138KV CKT 1	133	153	0.0429	101.4462	WOODRING (WOODRNG2) 345/138/13.8KV TRANSFORMER CKT 1
2	10G	G08_019	TO->FROM	FPL SWITCH - WOODWARD 138KV CKT 1	133	153	0.04289	112.2775	WOODRING (WOODRNG2) 345/138/13.8KV TRANSFORMER CKT 1
2	10G	G08_019	TO->FROM	FPL SWITCH - WOODWARD 138KV CKT 1	133	153	0.04205	100.1539	DOVER SW - HENESSEY 138KV CKT 1
2	10G	G08_019	TO->FROM	FPL SWITCH - WOODWARD 138KV CKT 1	133	153	0.04165	100.7217	DOVER SW - HENESSEY 138KV CKT 1
1	10G	G08_019	TO->FROM	EL RENO - ROMAN NOSE 138KV CKT 1	133	153	0.03937	143.439	NORTHWEST - TATONGA EHV 345.00 345KV CKT 1
1	10G	G08_019	TO->FROM	GLASS MOUNTAIN - MOORELAND 138KV CKT 1	124	124	0.03293	108.7186	NORTHWEST - TATONGA EHV 345.00 345KV CKT 1
5	10G	G08_019	FROM->TO	HARPER - MILAN TAP 138KV CKT 1	95.6	95.6	0.02905	111.8206	PP-005
2	10G	G08_019	TO->FROM	CLEARWATER - MILAN TAP 138KV CKT 1	110	110	0.02902	106.8548	PP-005
2	10G	G08_019	FROM->TO	HARPER - MILAN TAP 138KV CKT 1	95.6	95.6	0.02902	133.1428	PP-005